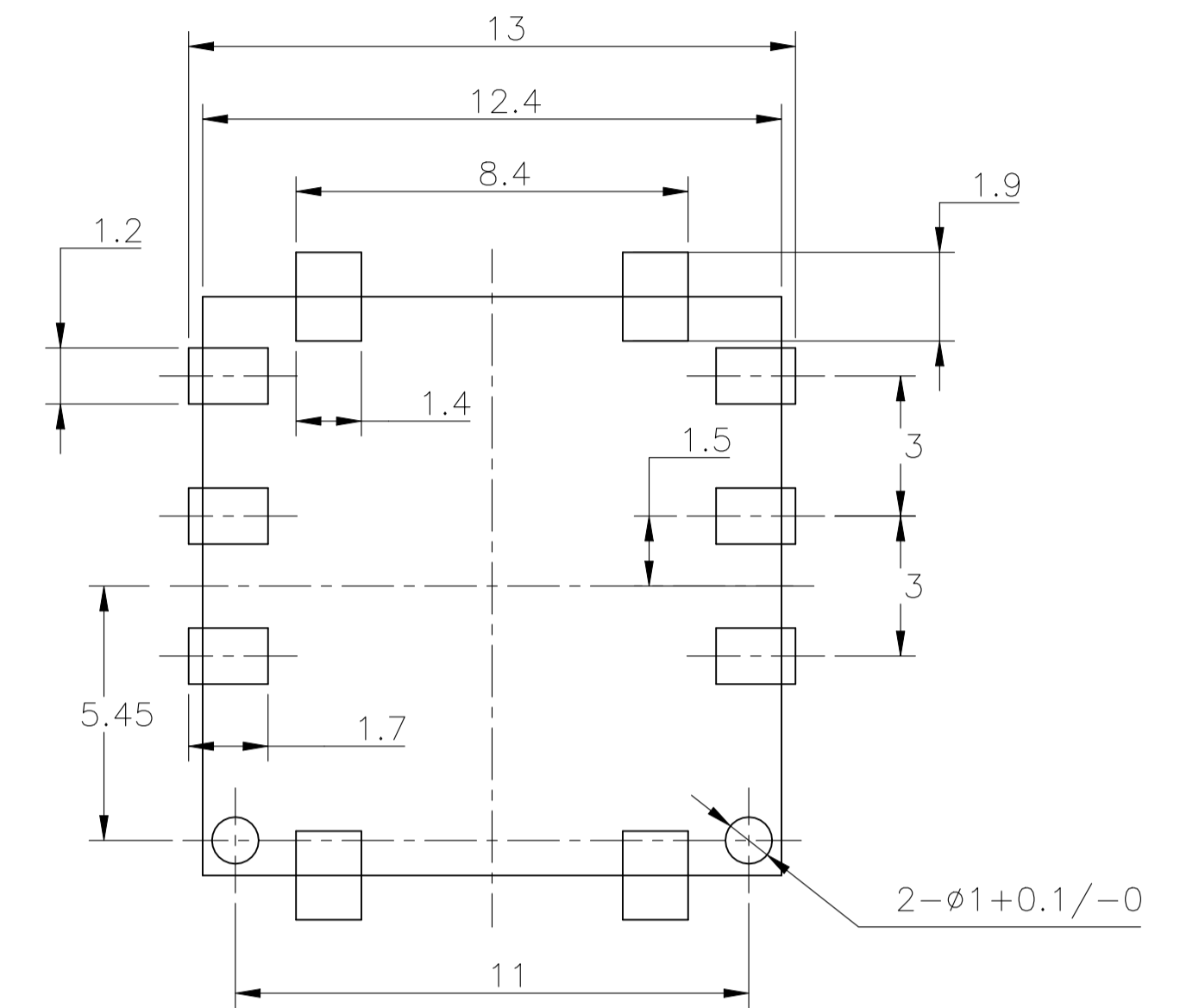
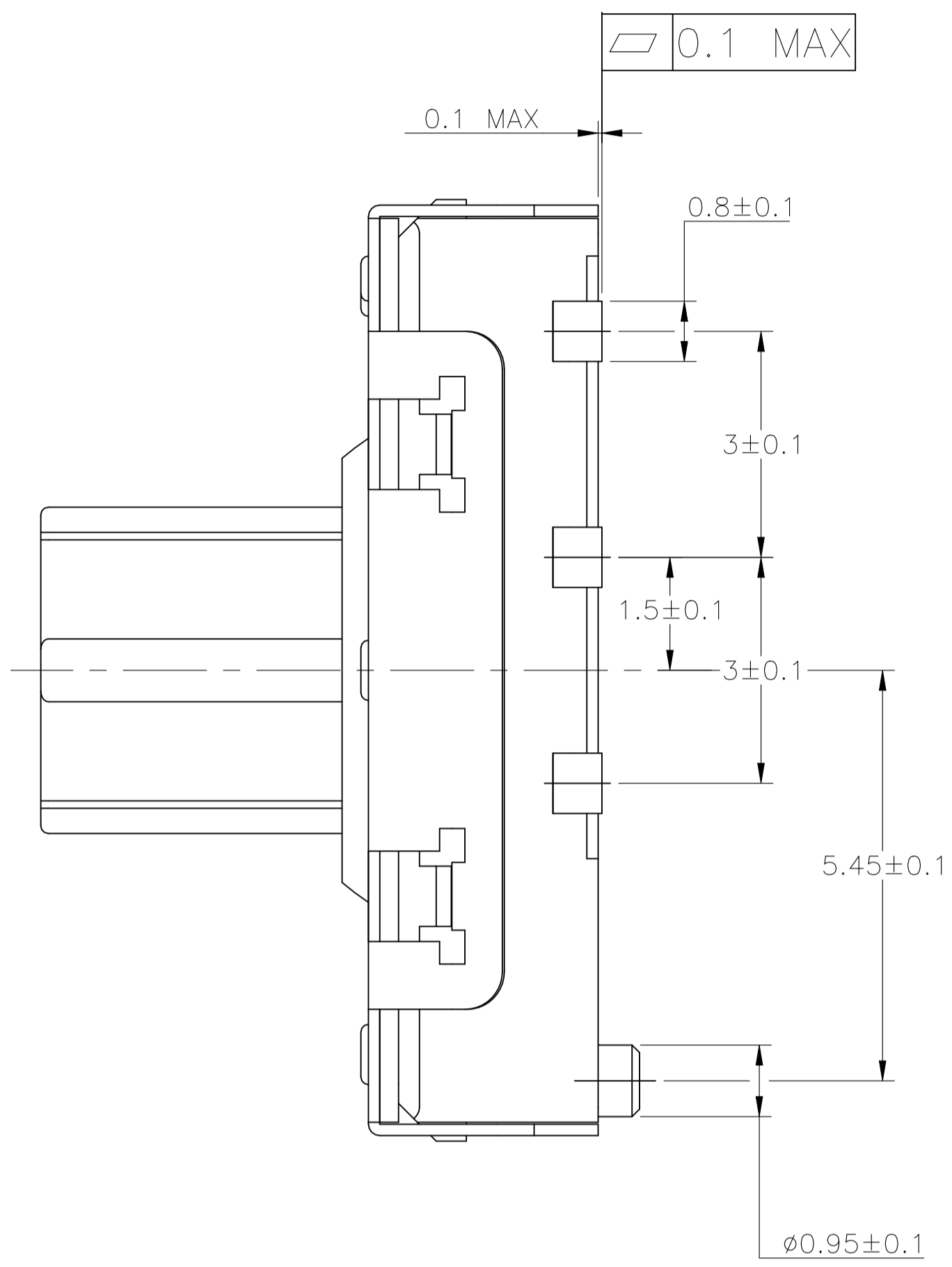
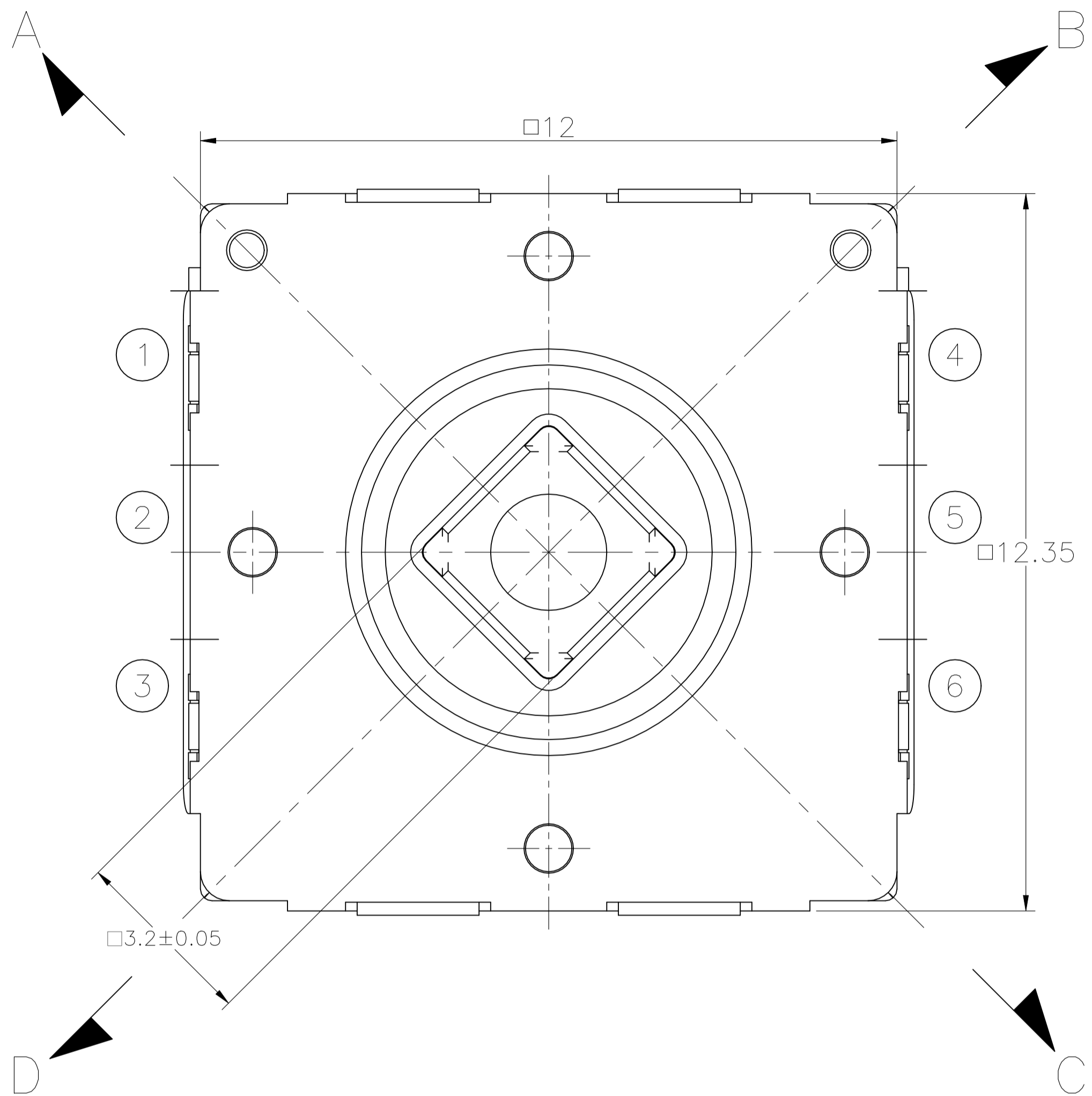


REVISIONS					
P	LTR	DESCRIPTION	DATE	DRN	APVD
A		INITIAL RELEASE	09NOV2022	BB	DM

DRAWING NUMBER	TE PN	TE DESCRIPTIVE PN	IP	OPERATING FORCE	LIFE CYCLE
2425755	2425755-1	5 position tactile, 12x12	40	Center Push: 350 ± 70 gf 4-Way Direction: 250 ± 70 gf	100,000



SOLDER LAND DIMENSION

SPECIFICATIONS:

MATERIALS:
CASE: LCP UL94V-0
ACTUATOR: PPA UL94HB
COVER: NICKEL SILVER. STEM: PPA UL94HB. TAPE: PI TAPE
DUST COVER: PEEK FILM.
MOVING CONTACT: STAINLESS STEEL Ag Clad
FIXED CONTACT/TERMINAL: BRASS Ag PLATING

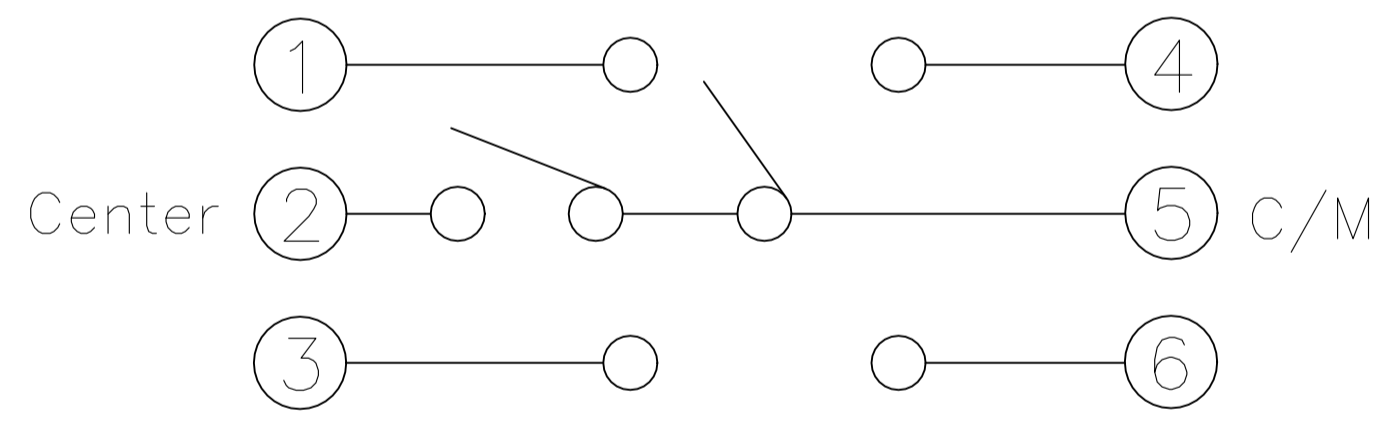
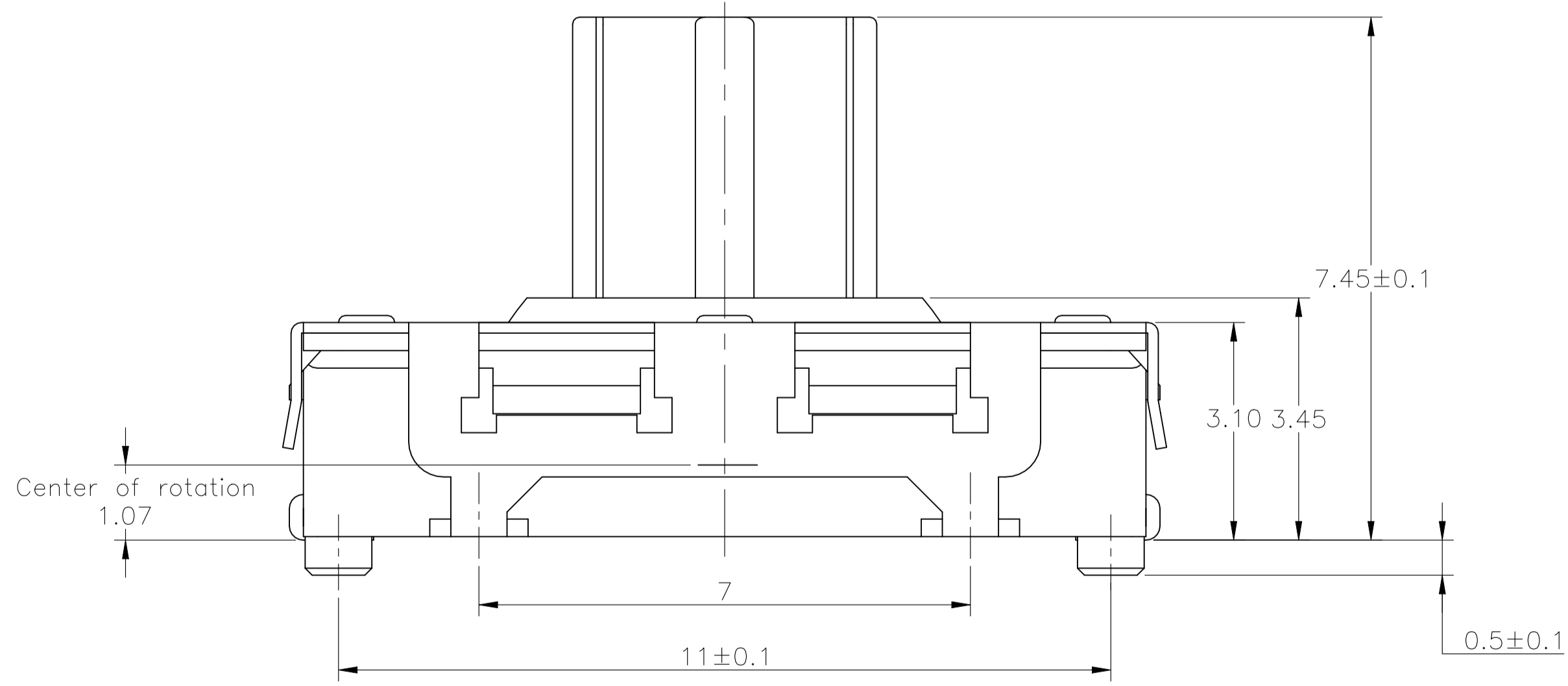
ELECTRICAL:
CONTACT RATING: 50mA @12V DC MAX.
CONTACT RESISTANCE: 100mΩ MAX.
INSULATION RESISTANCE: 100MΩ MIN. @100V DC.
DIELECTRIC STRENGTH: 250V AC FOR 1 MINUTE.
LIFE EXPECTANCY: SEE P/N TABLE.

MECHANICAL:
ACTUATOR FORCE: SEE P/N TABLE.
ACTUATOR TRAVEL: 0.012+0.007in, -0.004in
LIFE EXPECTANCY: SEE P/N TABLE.

ENVIRONMENTAL:
OPERATING TEMPERATURE: -25°C TO 70°C.
STORAGE TEMPERATURE: -40°C TO 85°C.
SOLDERABILITY: REFLOW: FOR PERHEAT 150-200°C. 120±20SEC., PEAK TEMP. 260°C ± 5°C, TEMP. AREA 217°C 60-90 SEC.

NOTES:

- DIMENSIONS IN MILLIMETERS
- GENERAL TOLERANCE ± 0.3mm

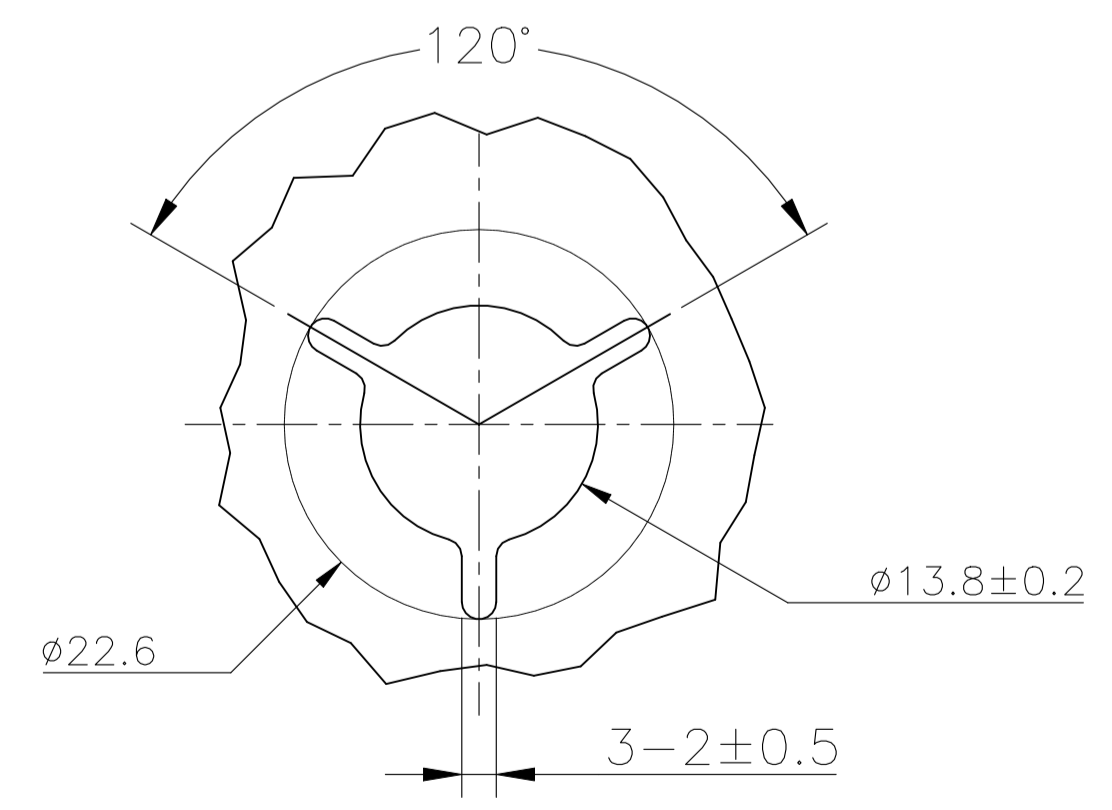
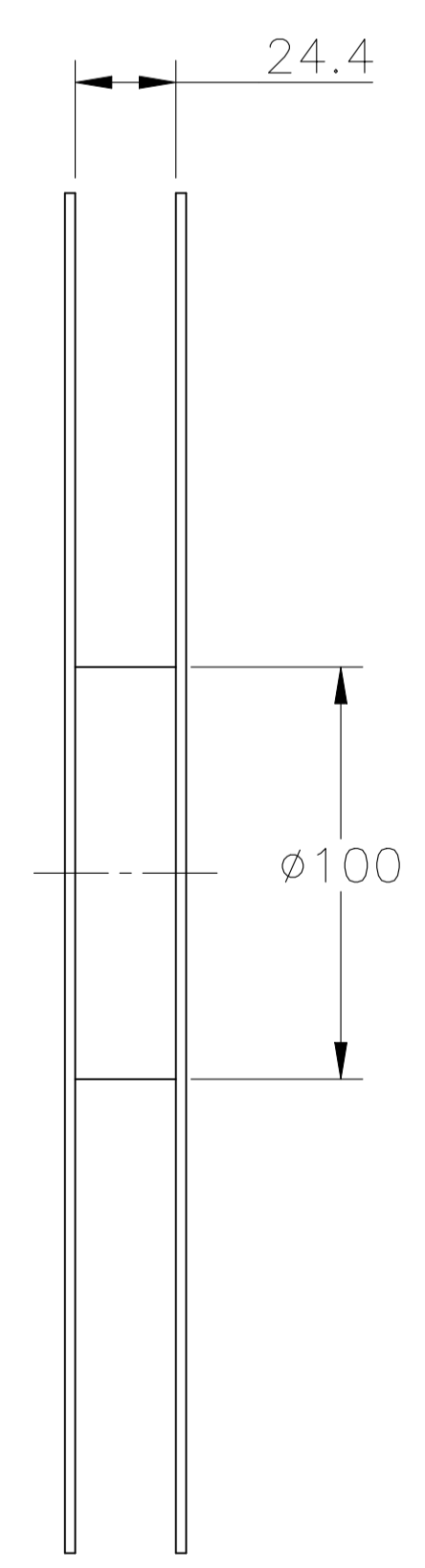
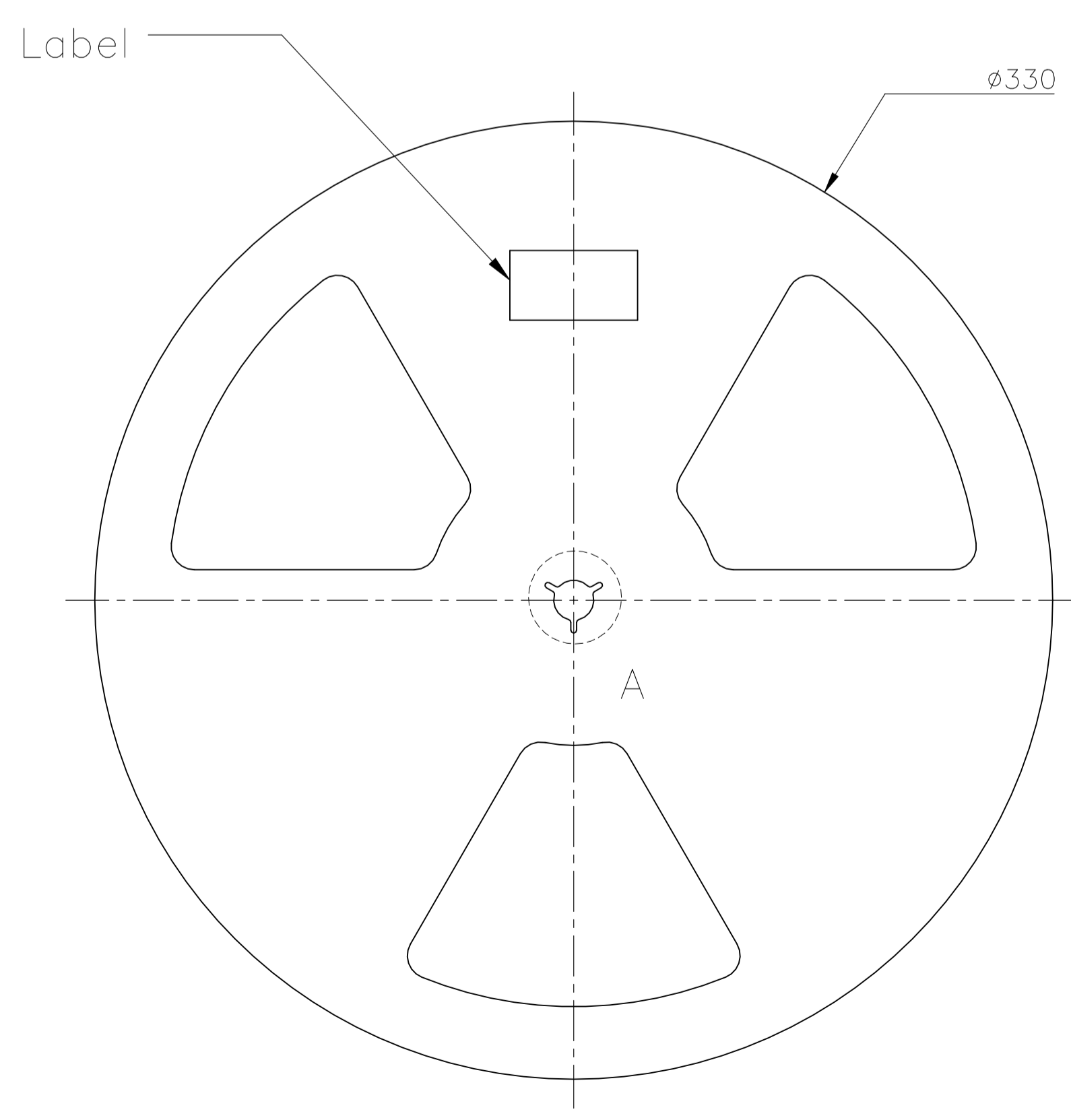
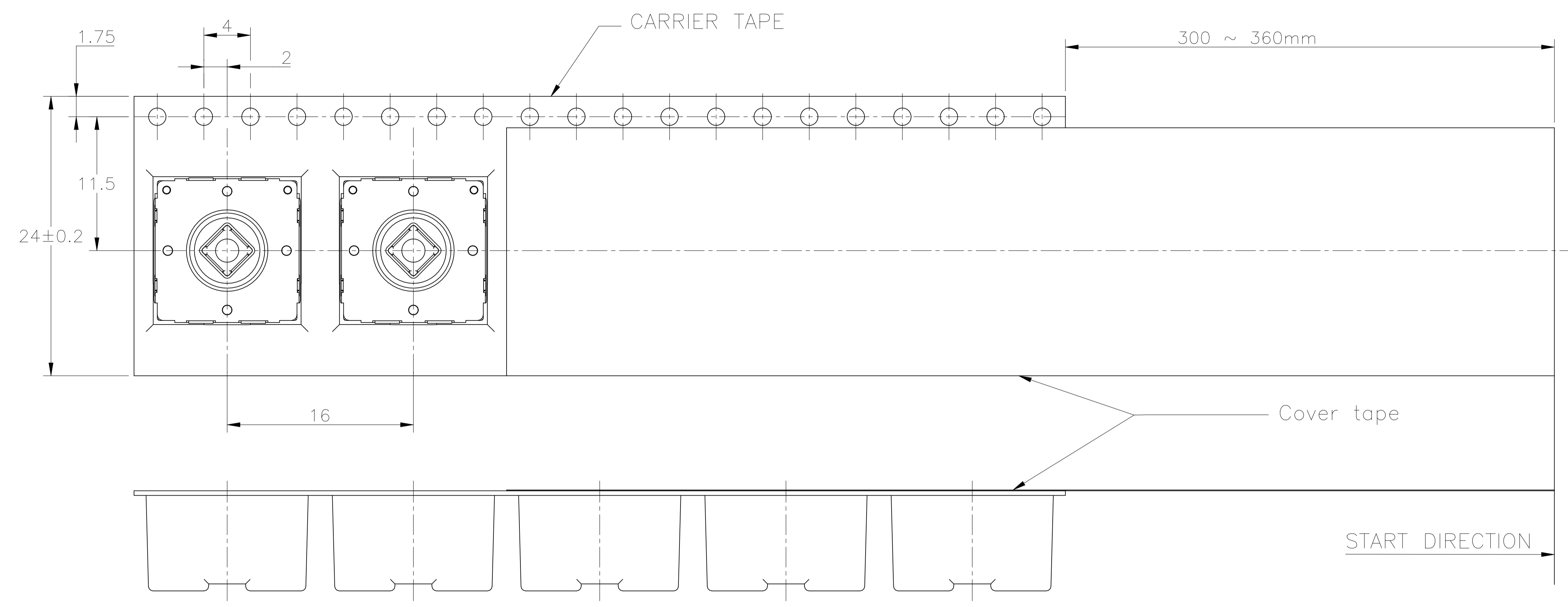


CIRCUIT DIAGRAM

Operating direction	Circuit	Remarks
A	⑤=①	
B	⑤=④	
C	⑤=⑥	
D	⑤=③	
Center push	⑤=②	

THIS DRAWING IS A CONTROLLED DOCUMENT.		DIN: BALAJI_B 09NOV2022	TE Connectivity	
DIMENSIONS: mm		CHK: DAVID MALDONADO 09NOV2022		
TOLERANCES UNLESS OTHERWISE SPECIFIED:		APVD: DAVID MALDONADO 09NOV2022	NAME: 5 position tactile, 12x12	
0. PLC	± -	PRODUCT SPEC	SIZE: A1	
1. PLC	± -	APPLICATION SPEC	CAGE CODE: 00779	
2. PLC	± -	WEIGHT	DRAWING NO: 2425755	
3. PLC	± -	CUSTOMER DRAWING	SCALE: NTS	
4. PLC	± -		SHEET 1 OF 2	
ANGLES	± -		REV A	

REVISIONS				
REV	DATE	DESCRIPTION	BY	APP'D
-	-	SEE SHEET 1	-	-



PACKING SPECIFICATION		
NON-POCKET PORTION	TRAILER PORTION	200mm MIN [25 POCKET MIN.]
	LEADER PORTION	26 POCKET MIN.
S/W PACKING Q'TY		500 PCS.

THIS DRAWING IS A CONTROLLED DOCUMENT.

DIMENSIONS: mm	TOLERANCES UNLESS OTHERWISE SPECIFIED:	0. PLC ± -	1. PLC ± -	2. PLC ± -	3. PLC ± -	4. PLC ± -	ANGLES ± -
MATERIAL	FINISH	DAVID MALDONADO		DAVID MALDONADO		DAVID MALDONADO	
CUSTOMER DRAWING		SIZE: A1	CAGE CODE: 00779	DRAWING NO: C=2425755	RESTRICTED TO: -		

DAVID MALDONADO
DAVID MALDONADO
DAVID MALDONADO

TE Connectivity
5 position tactile, 12x12

SCALE: NTS SHEET 2 OF 2 REV A