

## 30 V / 1.2 A high dimming ratio LED constant current driver

### Product overview

PT4115 is a step-down and constant current source with continuous inductor current conduction mode, which is used to drive one or more LEDs in series. The input voltage range of pt4115 is from 6V to 30V, and the output current is adjustable, up to 1.2A. Depending on the input voltage and external devices, PT4115 can drive LEDs up to tens of watts. PT4115 has built-in power switch. It uses high-end current sampling to set the average LED current. Through the dim pin, it can accept analog dimming and a wide range of PWM dimming. When the voltage of dim is lower than 0.3 V, the power switch will be turned off and PT4115 will enter the standby state of extremely low working current.

### Main features

- Very few external components
- Wide input voltage range: from 6 V to 30 v
- Maximum output current of 1.2 A
- LED switch, analog dimming and PWM dimming are realized by multiplexing dim pins
- 5% accuracy of output current
- Up to 97% efficiency
- Constant current control method with adjustable output

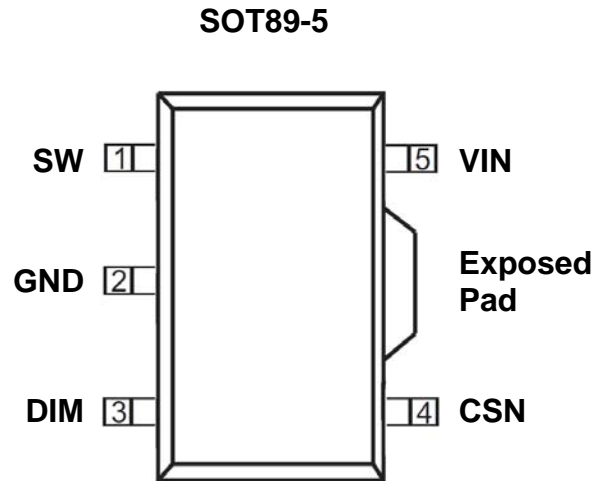
### Typical applications

Low voltage LED spotlight instead of halogen lamp,  
vehicle LED light,  
Led standby lamp, LED signal lamp

### Outlet function

Serial number	Symbol	Function description
SOT89-5		
1	SW	Drain end of power on
2	GND	Power and ground signals
3	DIM	Switch enable, analog and PWM dimming terminals
4	CSN	The sampling resistor is connected between CSN and Vin
5	VIN	The power input terminal must be connected with the bypass capacitor nearby
-	NC	Empty feet
-	Exposed PAD	Cooling end, internal grounding, pasted on PCB to reduce thermal resistance

### Lead out arrangement



**Maximum rating<sup>(1)</sup>**

Project	Symbol	Range	Company
supply voltage	$V_{IN}$	-0.3 ~ 35	V
Drain terminal of power switch	$SW$	-0.3 ~ 35	V
Current sampling terminal (relative $V_{IN}$ )	$CSN$	+0.3 ~ -6.0	V
Switch enable, analog and PWM dimming terminals	$DIM$	-0.3 ~ 6	V
Power switch output current	$I_{SW}$	1.5	A
power waste(2)	$P_{DMAX}$	1.5	W
Thermal resistance, sot89-5 ( $\theta_{JA}$ )	$CSC_R$	45	°C / W
Working junction temperature range	$T_J$	-40 ~ 150	°C
Storage temperature range	$T_{STG}$	-55 ~ 150	°C

explain:

1. "Maximum rating" refers to the possibility of chip damage beyond the operating range."Electrical parameters" define the specifications for DC and AC parameters of the device within the operating range and under test conditions that guarantee specific performance indicators.For the parameters without given upper and lower limits, the typical values reasonably reflect the device performance.

2. The maximum power consumption decreases as the temperature increases, which is determined by the maximum junction temperature  $T_{JMAX}$ ,  $\theta_{JA}$ , and ambient temperature  $T_A$ . The maximum permissible power consumption is  $P_{DMAX} = (T_{JMAX} - T_A) / \theta_{JA}$  or the number given in the "Maximum Rating" (lower).

**Recommended scope of work<sup>(1)</sup>**

Symbol	Parameter	Parameter range	Company
$V_{IN}$	supply voltage	0 ~ 30	V
$T_{OCSC}$	working temperature	- 25 ~ + 85	°C

explain:

1. "Recommended operating range" means that within this range, the device functions normally, but does not fully guarantee the performance limit."Electrical parameters" define the specifications for DC and AC parameters of the device within the operating range and under test conditions that guarantee specific performance indicators.

**Electrical parameters**

(unless otherwise specified,  $V_{IN}= 12 V$ ,  $t_A= 25 ^\circ C$ )

Symbol	Ginseng number	Test conditions	Minimum value	Typical value	Maximum	Company
$V_{IN}$	input voltage		6		30	V
$V_{UVLO}$	Under voltage protection	$V_{IN}$ decreased		6.8		V
$V_{UVLO, HYS}$	Under voltage protection hysteresis	$V_{IN}$ increased		500		mV
$F_{SW}$	Maximum operating frequency				1	MHz

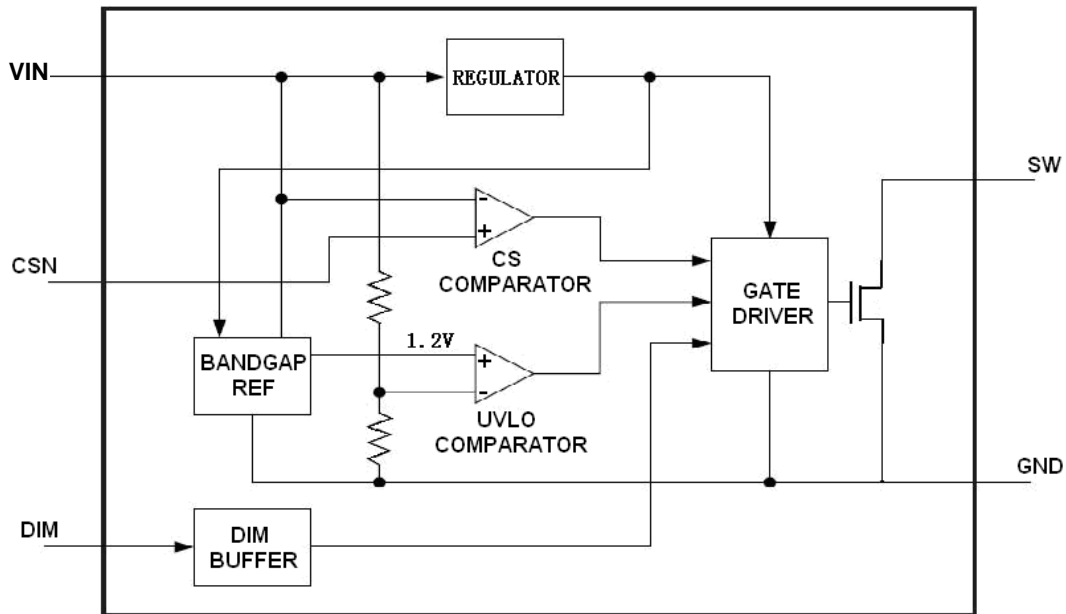
(forward to next page)

(Continued)

Symbol	Parameter	Test conditions	Minimum value	Typical value	Maximum	Company
<b>Current sampling</b>						
$V_{CSN}$	Average sampling voltage	$V_{IN} - V_{CSN}$	95	100	105	mV
$V_{CSN\_HYS}$	Sampling voltage hysteresis			±15		%
$I_{CSN}$	Input current of CSN pin	$V_{IN} - V_{CSN} = 50\text{mV}$		8		μA
<b>Turn off current</b>						
$I_{OFF}$	Turn off current	$V_{DIM} < 0.3\text{V}$		60		μA
<b>Dim input</b>						
$V_{DIM}$	Working voltage of internal circuit	Dim floating		5		V
$V_{DIM\_H}$	Dim input high level		2.5			V
$V_{DIM\_L}$	Dim input low level				0.3	V
$V_{DIM\_DC}$	Analog dimming voltage range		0.5		2.5	V
$f_{DIM}$	Maximum PWM dimming frequency	$f_{OSC} = 500\text{kHz}$			50	kHz
$D_{PWM\_LF}$	Low frequency PWM dimming duty cycle range around	$f_{DIM} = 100\text{Hz}$	0.02%		1	
	Low frequency PWM dimming ratio			5000: 1		
$D_{PWM\_HF}$	High frequency PWM dimming duty cycle range around	$f_{DIM} = 20\text{kHz}$	4%		1	
	Low frequency PWM dimming ratio			25: 1		
$R_{DIM}$	Dim pull up internal working voltage resistance			200		KΩ
$I_{DIM\_L}$	Dim earth leakage current	$V_{DIM} = 0$		4.2		μA
<b>Power switch</b>						
$R_{SW}$	SW on resistance	$V_{IN} = 24\text{V}$ $V_{IN} = 12\text{V}$		0.4 0.6		Ω
$I_{SWmean}$	SW continuous current				1.2	A
$I_{LEAK}$	SW leakage current			0.5	5	μA
<b>Overheating protection</b>						
$T_{SD}$	Overheat protection temperature			160		°C
$T_{SD}^{hys}$	Overheating protection hysteresis			20		°C

## Function description

### 1 Functional block diagram



### 2 Working principle description

PT4115, inductor (L) and current sampling resistor (RS) form a self oscillating continuous inductor current mode buck constant current LED controller. When  $V_{IN}$  is powered on, the initial current of inductance (L) and current sampling resistor (RS) is zero, and the output current of LED is also zero. At this time, the output of CS comparator is high, the internal power switch is on, and the potential of SW is low. The current flows from  $V_{IN}$  to ground through inductance (L), current sampling resistor (RS), led and internal power switch. The slope of current rise is determined by  $V_{IN}$ , inductance (L) and led voltage drop, resulting in a voltage difference  $V_{CSN}$  on RS. When  $(V_{IN} - V_{CSN}) > 115 \text{ mV}$ , the output of CS comparator becomes low, the internal power switch is turned off, and the current flows through inductance (L), current sampling resistance (RS), led and Schottky diode (D) at another slope.  $(V_{IN} - V_{CSN}) < 85 \text{ mV}$ , the power switch is re opened, so that the average current on the LED is:

$$I_{OUT} = \frac{0.085 + 0.115}{2} \times \frac{0.1}{R_S}$$

The high-end current sampling structure makes the number of external components very small. The sampling resistor of 1% accuracy is adopted, and the output current of LED is controlled at Accuracy of  $\pm 5\%$ .

PT4115 can add PWM signal to DIM pin for dimming. When the voltage of DIM pin is lower than 0.3 V, turn off LED current, and when it is higher than 2.5 V, all LED current will be turned on. The frequency range of PWM dimming is from 100 Hz to more than 20 kHz. When the high level is at Between 0.5 V and 2.5 V, dimming is also possible. See the following application instructions for details.

DIM current can also be adjusted by adjusting the maximum DC current of the LED through the external resistance of the LED. Effective dimming range for DC voltage ( $V_{DIM}$ ) is 0.5 V to 2.5 v. DC voltage ( $V_{DIM}$ ) is higher than the output LED current remains constant and is set by  $(0.1 / R_s)$ . The LED current can also

be adjusted by connecting a resistor between DIM and ground. There is a pull-up resistor (typical 1.2 megaohm) connected to the internal regulated voltage of 5V. The voltage of the DIM pin is determined by the internal and external resistance voltage.

DIM pins can float in the air during normal operation. When the voltage applied to the dim is less than 0.3 V, the internal power switch is turned off and the LED current drops to zero. During the shutdown period, the internal voltage stabilizing circuit maintains standby operation, and the static current is only 60 μA.

In addition, in order to ensure reliability, the PT4115 contains a thermal protection function (TSD), and the package contains a heat dissipation PAD. The overheat protection function protects the chip and system when the chip is overheated (160 °C), and the external heat dissipation PAD enhances the chip power consumption. Therefore, PT4115 can safely output large current. PT4115 can also connect the thermistor (NTC) to the LED through the DIM pin, detect the temperature, dynamically adjust the LED current, and protect the LED. See the application instructions below for details.

### 3 Application description

#### 1) Rs range LED current is set by external sampling resistance R

The average LED current is set by the external current sampling resistor  $R_s$ . The average current of the LED is determined by the resistance  $R_s$  connected at both ends of VIN and CSN:

$$I_{OUT} = 0.1 / R_s \quad (R_s \geq 0.082 \Omega)$$

The above equation is based on the assumption that the dim terminal is floating or the external dim terminal voltage is higher than 2.5 V (but must be lower than 5 V). Actually,  $R_s$  is the maximum output current of LED. Through DIM, the actual output current of LED can be reduced to any value.

#### 2) Analog dimming by DC voltage

DC voltage ( $V_{DIM}$ ) can be applied to dim to reduce the LED output current. The maximum LED output current is set by  $(0.1 / R_s)$ . LED average output current calculation formula:

$$I_{OUT} = \frac{0.1 \times V_{DIM}}{2.5 \times R_s} \quad (0.5V \leq V_{DIM} \leq 2.5V)$$

When  $V_{DIM}$  is in the range of  $(2.5V \leq V_{DIM} \leq 5V)$ , the LED maintains 100% current, which is equal to  $I_{OUT} = 0.1 / R_s$

#### 3) Dimming by PWM signal

The maximum average current of LED is determined by the resistance  $R_s$  connected at both ends of VIN and CSN. By adding PWM signal with variable duty cycle to dim pin, the output current can be reduced to realize dimming. The calculation method is as follows:

$$I_{OUT} = \frac{0.1 \times D}{R_s} \quad (0 \leq D \leq 100\%, 2.5V < V_{PULSE} < 5V)$$

If the high level is less than 2.5V, then

$$I_{OUT} = \frac{V_{PULSE} \times 0.1 \times D}{2.5 \times R_s} \quad (0 \leq D \leq 100\%, 0.5V < V_{PULSE} < 2.5V)$$

#### 4) Turn off mode

By connecting the voltage below 0.3 V at the DIM terminal, the system is turned off. Normally, the quiescent current of the system is kept at 60 μA following

**5) Soft start mode**

By connecting an external capacitor into the DIM, the voltage at the DIM terminal will rise slowly when starting, so that the current of LED will also rise slowly, so as to realize soft start. In general, the relationship between soft start time and external capacitance is about 0.8 ms / nF.

**6) Bypass capacitance**

A bypass capacitor with low equivalent series resistance (ESR) must be connected to the power input. The larger the ESR, the greater the efficiency loss. The bypass capacitor should be able to withstand a large peak current, make the input current of the power supply average, and reduce the impact on the input power supply. For DC input, the minimum value of the bypass capacitance is 4.7 μF. In AC input or low voltage input, the bypass capacitance needs to be larger. The bypass capacitor is as close as possible to the input pin of the chip. In order to ensure the stability under different temperature and working voltage, it is recommended to use X5R / X7R capacitor.

**7) Select inductance**

The recommended inductance parameter range of PT4115 is 27 μH ~ 100μH. The saturation current of the inductor must be 30% to 50% higher than the output current. The smaller the output current of LED is, the larger the inductance value is recommended. On the premise that the current capacity meets the requirements, it is hoped that the inductance will be larger, so that the effect of constant current will be better. The inductor should be placed as close to VIN and SW as possible to avoid efficiency loss caused by parasitic resistance. The following table gives suggestions for inductance selection:

Output current	Inductance value	Saturation current
$I_{OUT} > 1 A$	27 ~ 33 μH	It is 1.3 ~ 1.5 times higher than the output current
$0.8 A < I_{OUT} \leq 1 A$	33 ~ 47 μH	
$0.4 A < I_{OUT} \leq 0.8 A$	47 ~ 68 μH	
$I_{OUT} \leq 0.4 A$	68 ~ 100 μH	

**8) Select diode**

In order to ensure maximum efficiency and performance, Schottky diodes with fast recovery, low forward voltage drop, low parasitic capacitance and low leakage current should be selected for diode (D). The current capacity and withstand voltage depend on the specific application, but a margin of 30% should be maintained, which is conducive to stable and reliable operation. It should also be noted that Schottky's reverse leakage current should be considered when the temperature is higher than 85 ° C. Excessive leakage will increase the power dissipation of the system. The Schottky diode with low voltage drop must be selected for AC12V rectifier diode (D) to reduce its power dissipation.

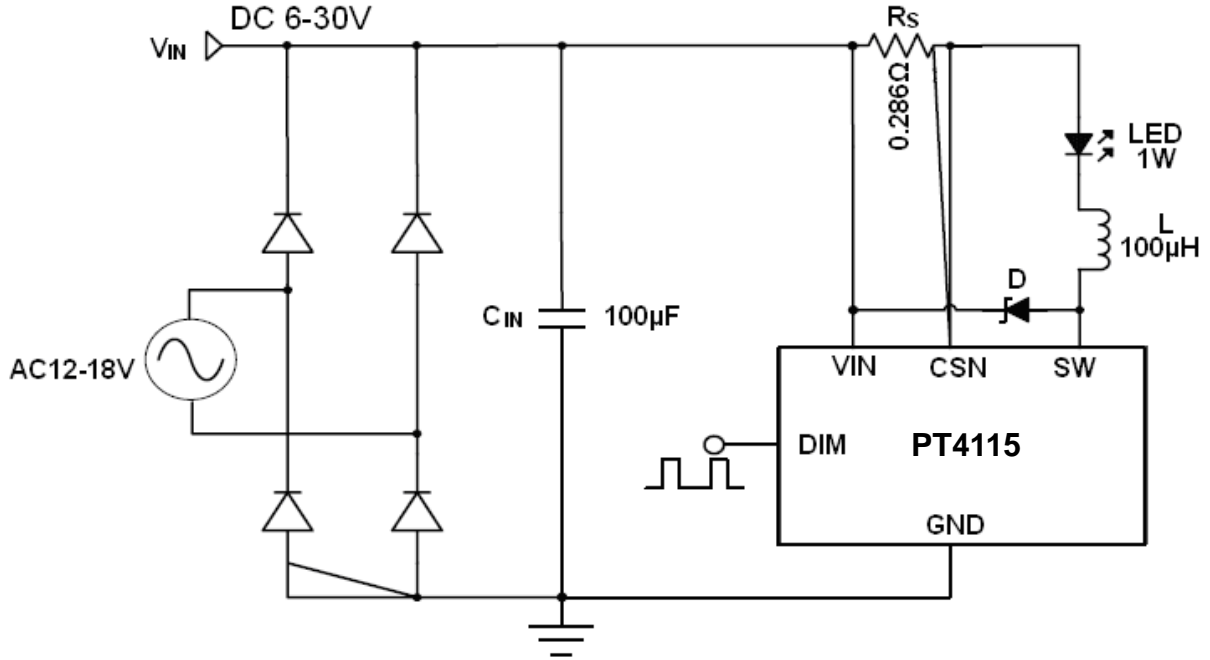
**9) TSIC (TSIC protection)**

The over temperature protection function (TSD) is set in PT4115 to ensure the stable and reliable operation of the system. When the IC chip temperature exceeds 160 °C, the IC will enter the TSD protection state and stop the current output. When the temperature is lower than 140 °C, the IC will return to the working state.

**10) Notes on PCB layout**

Reasonable PCB layout is very important to ensure system stability and low noise. Using multi-layer PCB is an effective way to avoid noise interference. In order to effectively reduce the noise of the current circuit, the input bypass capacitor should be grounded separately. PCB copper foil should be well connected with heat dissipation PAD and GND of PT4115. The high current grounding circuit, the grounding lead of input bypass capacitor and the grounding lead of output filter are connected to the same point (Star grounding method) to minimize the grounding noise.

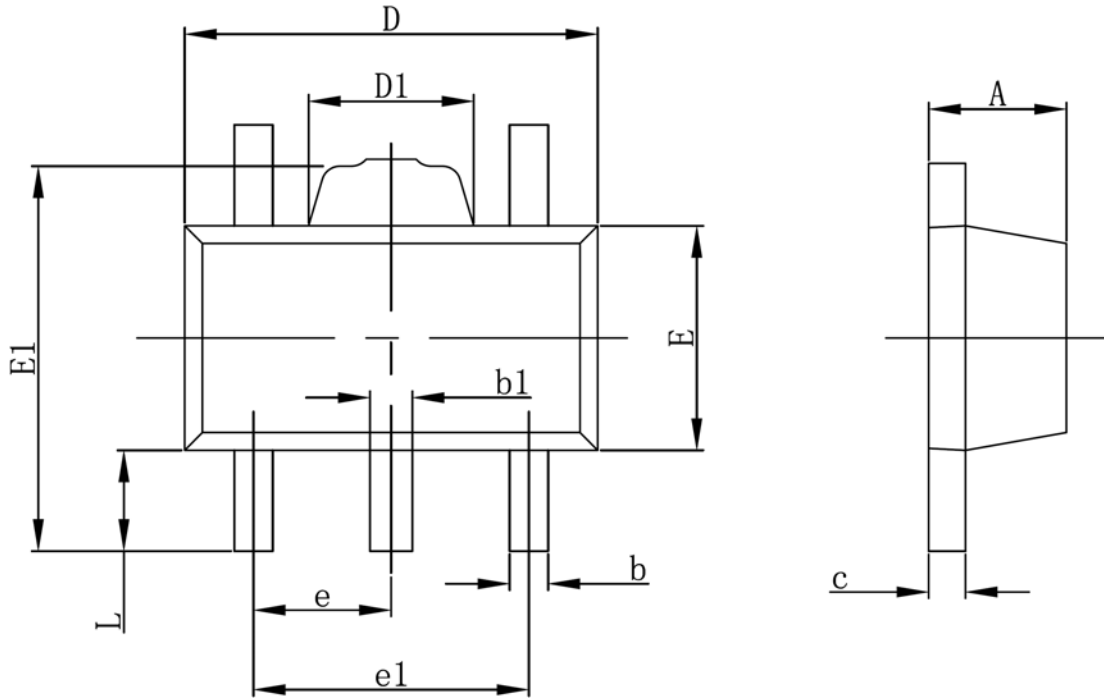
Application circuit diagram



Application Figure 1 1 W spotlight application

Application Figure 2 3 W spotlight application  
 Package outline drawing and dimensions

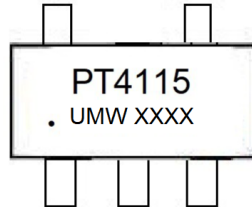
SOT89-5



Symbol	mm.		Inches.	
	Minimum value	Maximum	Minimum value	Maximum
A	1.400	1.600	0.055	0.063
b	0.320	0.520	0.013	0.020
b1	0.360	0.560	0.014	0.022
c	0.350	0.440	0.014	0.017
D	4.400	4.600	0.173	0.181
D1	1.400	1.800	0.055	0.071
E	2.300	2.600	0.091	0.102
E1	3.940	4.250	0.155	0.167
e	1.500 TYP.		0.060 TYP.	
e1	2.900	3.100	0.114	0.122
L	0.900	1.100	0.035	0.043



**Marking**



**Ordering information**

Order code	Package	Baseqty	Deliverymode
UMW PT4115	SOT89-5	1000	Tape and reel



Note: This product is a static sensitive element, please pay attention to protection! ESD damage van The girth can scale from subtle performance degradation to equipment failure. Precision integrated circuits may be more Susceptible to damage, it can result in component parameters not meeting publishedspecifications.