

Customer Information Sheet

DRAWING No.: S2711-46R

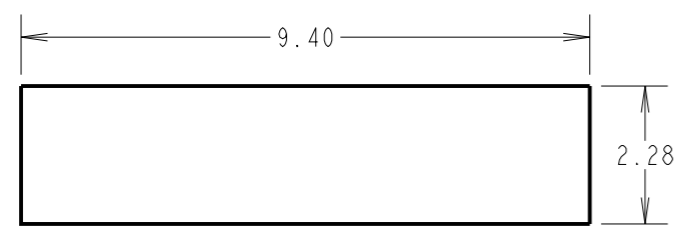
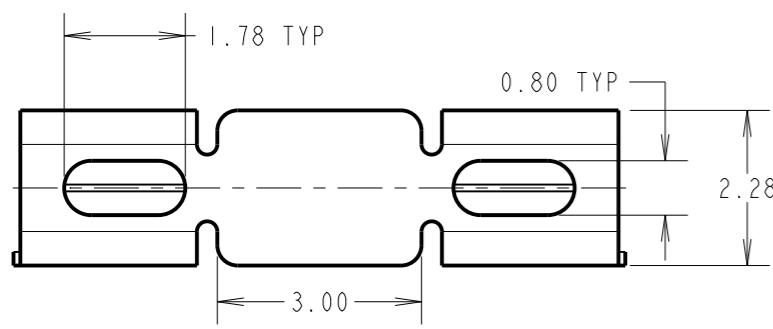
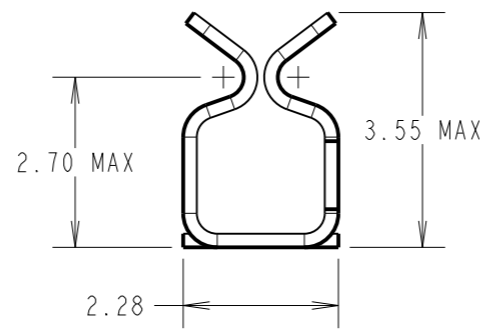
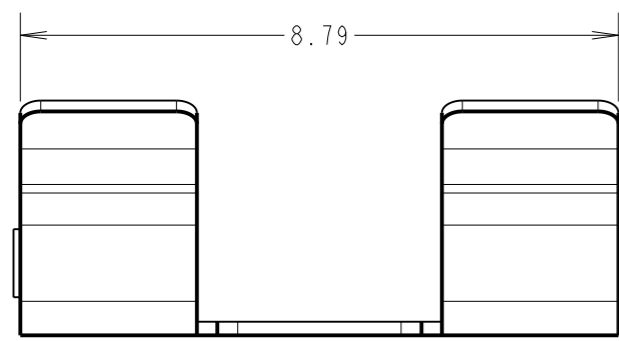
IF IN DOUBT - ASK

©

NOT TO SCALE

THIRD ANGLE PROJECTION

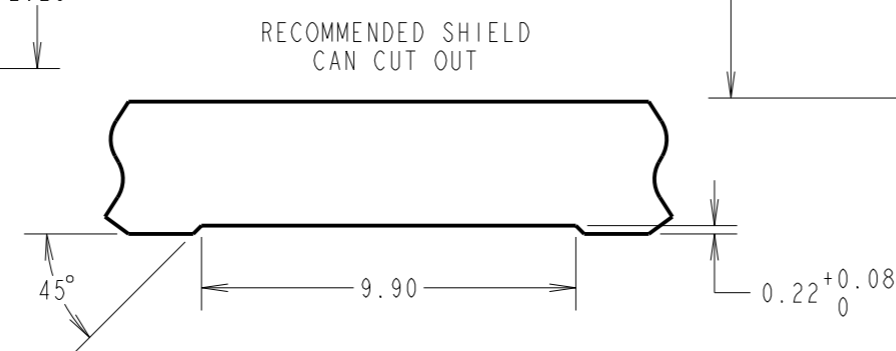
ALL DIMENSIONS IN mm



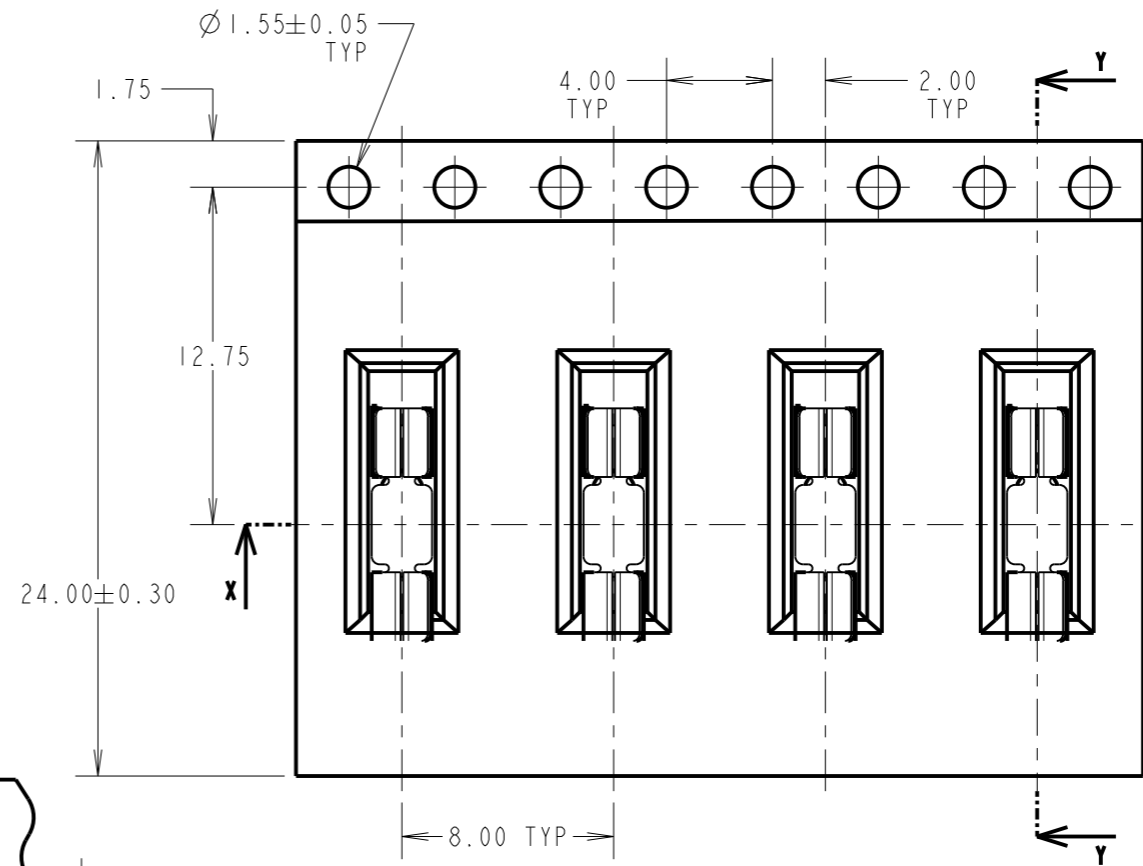
RECOMMENDED PAD LAYOUT

COMPONENT SPECIFICATION:
 MATERIAL = CUPRO NICKEL
 FINISH = 2.4-3.6µm 100% TIN,
 OVER 2.0-2.8µm NICKEL
 ENVIRONMENTAL:
 OPERATING TEMPERATURE = -40°C TO +125°C
 PERFORMANCE SPECIFICATIONS:
 INSERTION FORCE (AFTER CONDITIONING) = 4N MAX
 WITHDRAWAL FORCE = 0.5N MIN
 DURABILITY = 20 INSERTIONS MINIMUM
 CONTACT RESISTANCE = 20mΩ MAX
 SHIELD THICKNESS = 0.17mm - 0.30mm

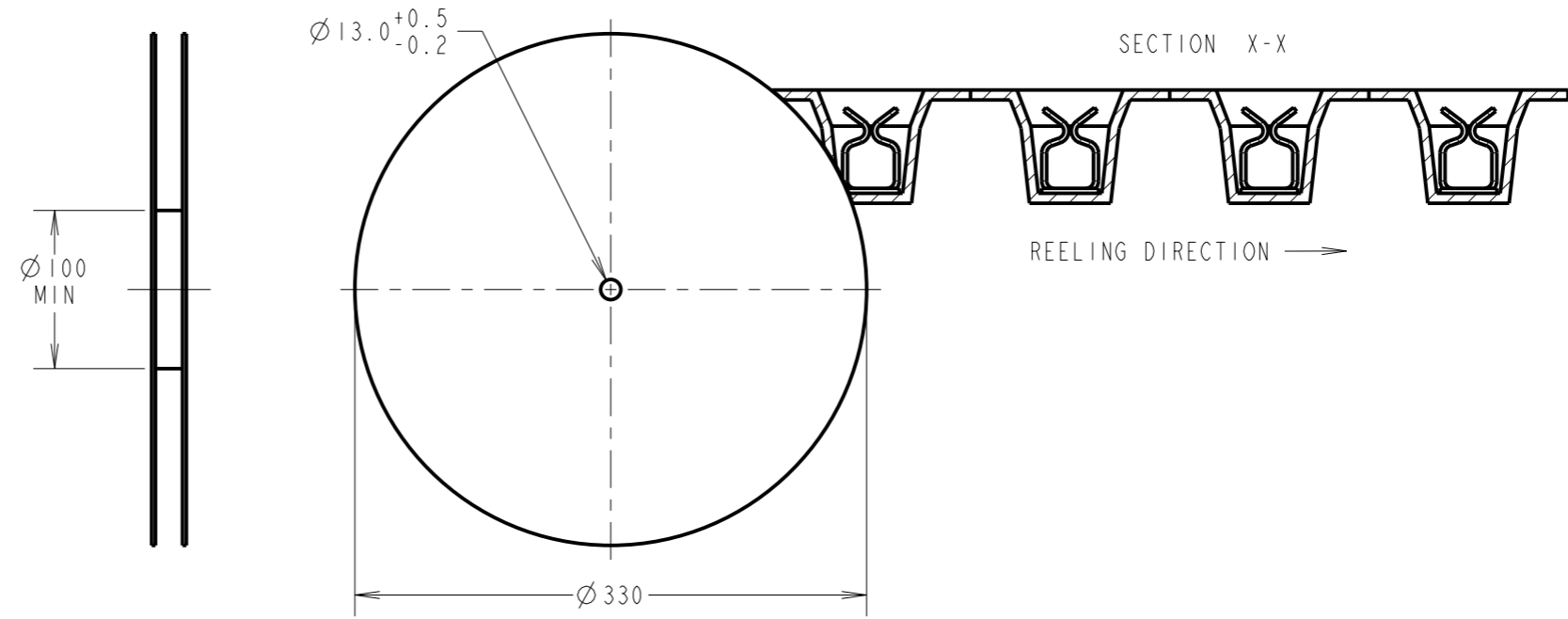
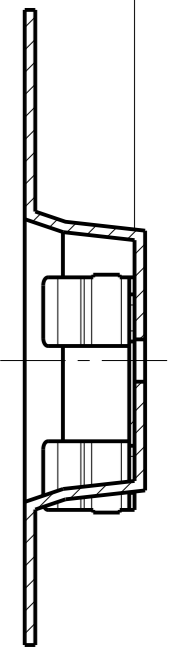
NOTES:
 1. QUANTITY PER REEL = 1,900.
 2. THIS PRODUCT IS TAPED AND REELED IN ACCORDANCE WITH EIA-481 (ELECTRONIC INDUSTRIES ASSOCIATION).



RECOMMENDED SHIELD
CAN CUT OUT

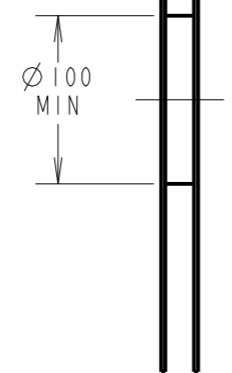


SECTION Y-Y



SECTION X-X

REELING DIRECTION →



RTP	14	01.08.22	31741
NAME	ISS.	DATE	CN/CO
APPROVED:		R.PORTLOCK	
CHECKED:		M.RUDKIN	
DRAWN:		J.EVANS	
CUSTOMER REF.:			
ASSEMBLY DRG:			

<p>www.harwin.com technical@harwin.com</p>	<p>THIS DRAWING AND ANY INFORMATION OR DESCRIPTIVE MATTER SET OUT HEREON ARE CONFIDENTIAL AND COPYRIGHT PROPERTY OF THE HARWIN GROUP AND MUST NOT BE DISCLOSED, LOANED, COPIED OR USED FOR MANUFACTURING, TENDERING OR FOR ANY OTHER PURPOSE WITHOUT THEIR WRITTEN PERMISSION.</p>	<p>TOLERANCES</p> <p>X. = ±1mm X.X = ±0.50mm X.XX = ±0.20mm X.XXX = ±0.01mm</p> <p>ANGLES = ±5° UNLESS STATED</p>	<p>MATERIAL:</p> <p>SEE ABOVE</p>	<p>TITLE:</p> <p>SMT RFI SHIELD CLIP IN TAPE AND REEL (CUPRO NICKEL)</p>
		<p>FINISH:</p> <p>SEE ABOVE</p>	<p>S/AREA:</p> <p>mm²</p>	<p>DRAWING NUMBER:</p> <p>S2711-46R</p>