



---

# MK SD NAND Product Datasheet

## Industrial Grade

### Product List

MKDV1GIL-AST  
MKDV2GIL-AST  
MKDV4GIL-AST  
MKDV8GIL-AST



## Revision History

Version	Date	Description
Rev 1.0	2023/12/12	Original version
Rev 2.0	2024/01/15	The description of the Current Consumption in Part 6.3 of the original specification is incorrect and has been modified

MK FOUNFER CONFIDENTIAL

**Notice :**

The datasheet is prepared and approved by MK Founder semiconductor co., LTD.



---

MK Founder reserves the right to change products or specifications without notice.  
©2023 MK Founder semiconductor co., LTD. All rights reserved.

MK FOUNFER CONFIDENTIAL



## Table Of Contents

1 Product List .....	5
2 Features .....	5
3 Block Diagram .....	6
4 Physical Characteristics .....	6
4.1 Temperature .....	6
5 Pin Assignments(SD Mode& SPI Mode) .....	7
6 Usage .....	8
6.1 SD Bus Mode protocol .....	8
6.2 Card Initialize .....	9
6.3 Electrical Characteristics .....	13
7 Internal Information .....	14
7.1 Registers .....	14
7.1.1 OCR Register .....	14
7.1.2 CID Register .....	16
7.1.3 CSD Register .....	17
7.1.4 RCA Register .....	18
7.1.5 DSR Register .....	18
8 Power Scheme .....	18
8.1 Power Up .....	18
8.2 Power Up Time .....	18
8.2.1 Power On or Power Cycle .....	20
8.2.2 Power Supply Ramp Up .....	20
8.2.3 Power Supply Ramp Up .....	20
9 Part Numbering .....	21
10 Package Dimensions .....	22
11 Reference Design .....	23



## 1 Product List

Part Number	Flash Type	Capacity	Actual Capacity	Speed class	IOPS Read/Write	Package
MKDV1GIL-AST	SLC	1Gbit	118MByte	C4	1343/35	LGA-8(6x8)
MKDV2GIL- AST	SLC	2Gbit	239MByte	C6	1491/80	LGA-8(6x8)
MKDV4GIL- AST	SLC	4Gbit	482MByte	C10	1633/90	LGA-8(6x8)
MKDV8GIL- AST	SLC	8Gbit	964MByte	C10	1915/141	LGA-8(6x8)

Note:

- 1)I/O Meter was used to test IOPS for 100MB random read/write in SD-NAND four-wire mode
- 2)The SD NAND mode was four-wire during the test
- 3)The test ambient temperature was room temperature 25

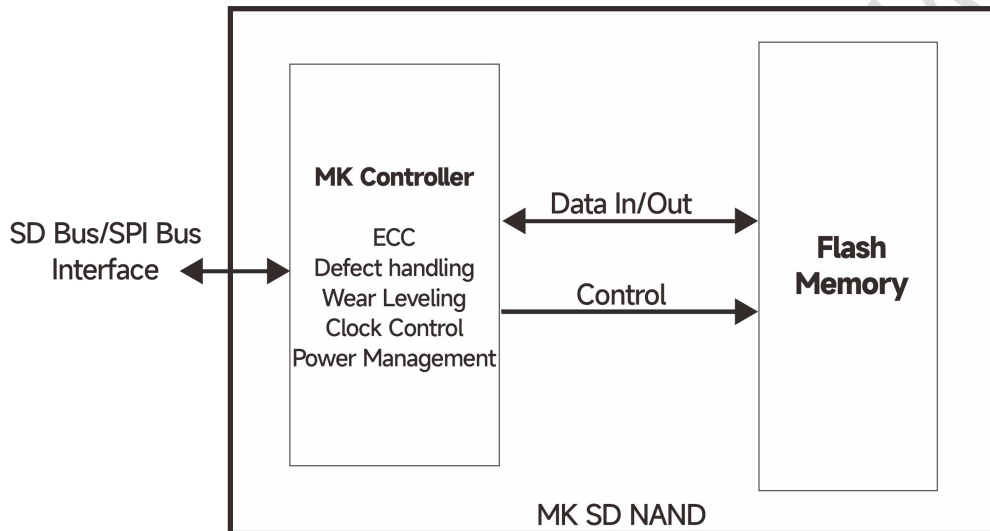
## 2 Features

- Support up to 50Mhz clock frequency
- Supports SPI Mode
- Built-in HW ECC Engine and highly reliable NAND management mechanism
- Smaller package LGA-8
- Advanced thermal management features to maximize performance and data protection at extended temperatures Static, dynamic, and global wear leveling
- Bad block management, intelligent garbage collection and support for interleaving, cache, and multi-plane programming
- Read disturb management and dynamic data refresh
- Best-in-class power fail management
- Program/Erase: 100,000 cycles
- High IOPS performance, which can process random read and write requests of small-capacity files more efficiently and quickly, thus improving access speed.
- Low power consumption, cost-effective solution
- Industrial grade temperature range: -40~85°C



### 3 Block Diagram

MK SD NAND is an embedded storage solution designed in the form of an LGA package that operates similarly to industry standard SD cards. SD NAND consists of NAND flash memory and a high-performance controller that supports ultra-High speed mode (UHS-I) and is fully compliant with the SD2.0 interface. With superior read/write performance, IOPS, reliability, and host compatibility, MK SD NAND is designed to provide a high-performance, low-power, cost-effective, and value-added solution for SD-oriented applications.



ECC:Error Correction code algorithms

### 4 Physical Characteristics

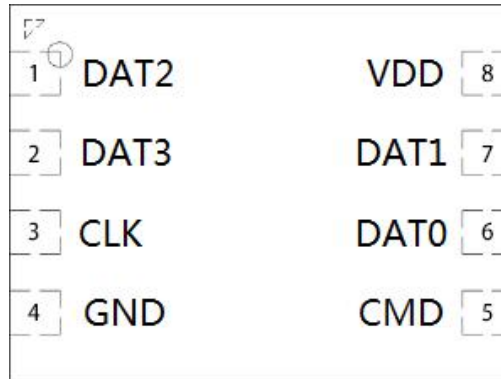
#### 4.1 Temperature

- 1) Operation Conditions  
Temperature Range: - 40°C to + 85°C
- 2) Storage Conditions  
Temperature Range: - 55°C to +125°C



## 5 Pin Assignments(SD Mode& SPI Mode)

### TOP VIEW



Name	SD Mode		SPI Mode	
	Typte	Description	Typte	Description
DAT2	I/O/PP	Data Line [Bit 2]	RSV	Reserved
DAT3	I/O/PP	Data Line [Bit 3]	I3	Chip Select (neg true)
CLK	I	Clock	I	Clock
GND	S	Supply voltage ground	S	Supply voltage ground
VDD	S	Supply voltage	S	Supply voltage
DAT1	I/O/PP	Data Line [Bit 1]	RSV	Reserved
DAT0	I/O/PP	Data Line [Bit 0]	O/PP	Data Out
CMD	PP	Command/Response	I	Data In

- Type Key: S=power supply; I= input; O=output using push-pull drivers; PP=I/O using push-pull drivers.
- The extended DAT lines (DAT1-DAT3) are input on power up. They start to operate as DAT lines after the SET\_BUS\_WIDTH Type Key: S=power supply; I=input; O=output using push-pull drivers; PP=I/O using push-pull drivers.
- At power up this line has a 50 kilohm pull-up enabled in the card. This resistor serves two functions: Card detection and Mode Selection. For Mode Selection, the host can drive the line high or let it be pulled high to select SD mode. If the host wants to select SPI mode it should drive the line low. For Card detection, the host detects that the line is pulled high. This pull-up should be disconnected by the user, during regular data transfer, with SET\_CLR\_CARD\_DETECT (ACMD42) command.



## 6 Usage

### 6.1 SD Bus Mode protocol

The SD bus allows the dynamic configuration of the number of data line from 1 to 4 Bi-directional data signal. After power up by default, the SD card will use only DAT0. After initialization, host can change the bus width.

Multiplied SD cards connections are available to the host. Common VDD, VSS and CLK signal connections are available in the multiple connections. However, Command, Respond and Data lined (DAT0-DAT3) shall be divided for each device from host.

This feature allows easy trade off between hardware cost and system performance. Communication over the SD bus is based on command and data bit stream initiated by a start bit and terminated by stop bit.

#### **Command**

Commands are transferred serially on the CMD line. A command is a token to starts an operation from host to the device. Commands are sent to an addressed single card (addressed Command) or to all connected cards (Broad cast command).

#### **Response**

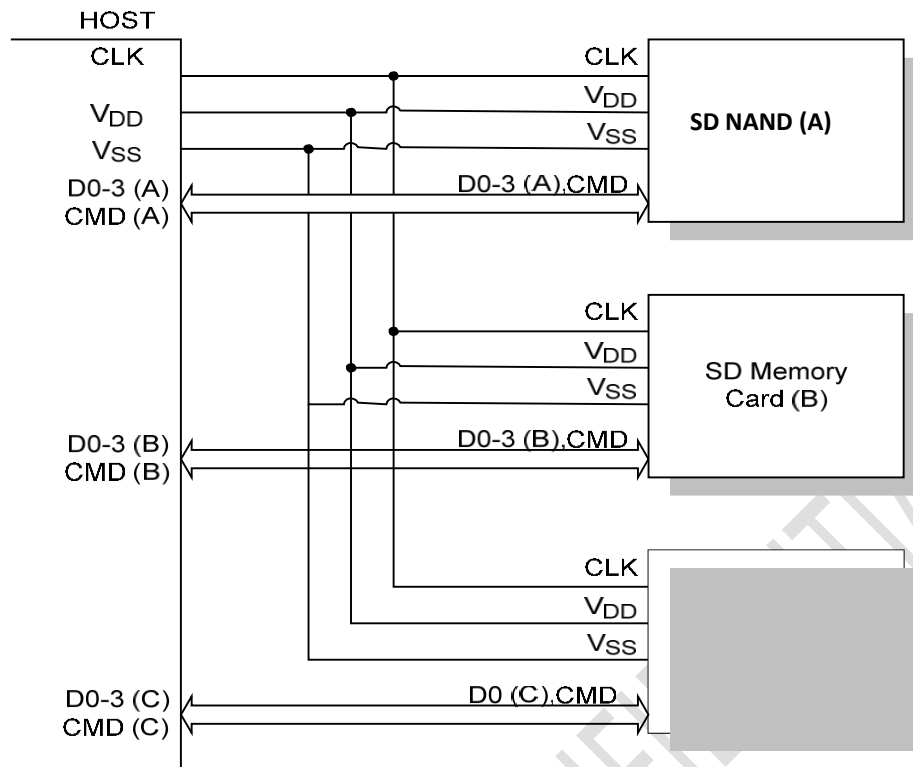
Responses are transferred serially on the CMD line.

A response is a token to answer to a previous received command. Responses are sent from an addressed single card or from all connected cards.

#### **Data**

Data can be transfer from the card to the host or vice versa. Data is transferred via the data lines.





CLK	Host card Clock signal
CMD	Bi-directional Command/ Response Signal
DAT0 - DAT3	4 Bi-directional data signal
VDD	Power supply
VSS	GND

## 6.2 Card Initialize

To initialize the SD NAND, follow the following procedure is recommended example.

- 1) Supply Voltage for initialization

Host System can apply the Operating Voltage from initialization to the card. Apply more than 74 cycles of Dummy-clock to the SD card.

- 2) Select operation mode (SD mode or SPI mode)

In case of SPI mode operation, host should drive 1 pin (CD/DAT3) of SD Card I/F to “Low” level. Then, issue CMD0. In case of SD mode operation, host should drive or detect 1 pin of SD Card I/F (Pull up register of 1 pin is pull up to “High” normally).



Card maintain selected operation mode except re-issue of CMD0 or power on below is SD mode initialization procedure.

- 3) Send the ACMD41 with Arg = 0 and identify the operating voltage range of the Card.
- 4) Apply the indicated operating voltage to the card.

Reissue ACMD41 with apply voltage storing and repeat ACMD41 until the busy bit is cleared. (Bit 31 Busy = 1) If response time out occurred, host can recognize not SD Card.

- 5) Issue the CMD2 and get the Card ID (CID).
- 6) Issue the CMD3 and get the RCA. (RCA value is randomly changed by access, not equal zero)
- 7) Issue the CMD7 and move to the transfer state.

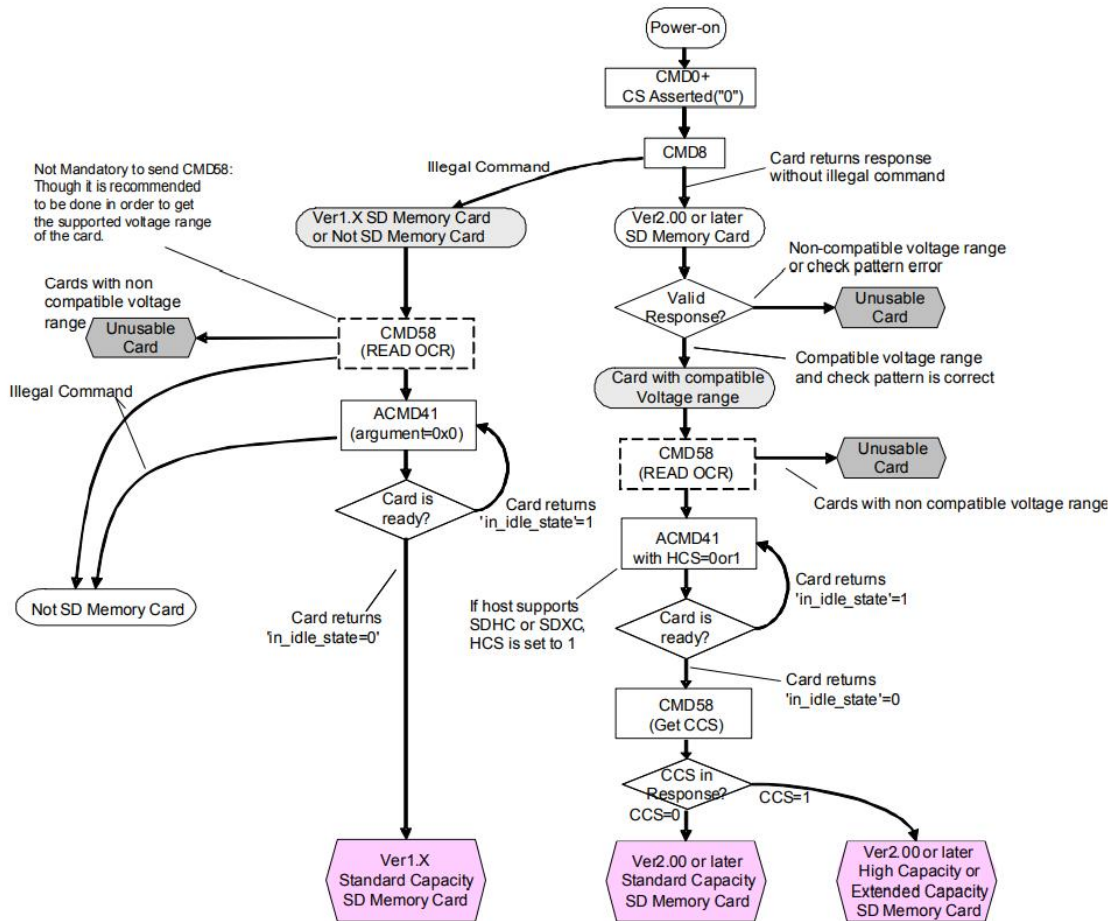
If necessary, Host may issue the ACMD42 and disabled the pull up resistor for Card detect.

- 8) Issue the ACMD13 and poll the Card status as SD Memory Card. Check SD\_CARD\_TYPE value. If significant 8 bits are "all zero", that means SD Card. If it is not, stop initialization.
- 9) Issue CMD7 and move to standby state. Issue CMD9 and get CSD. Issue CMD10 and get CID.
- 10) Back to the Transfer state with CMD7.
- 11) Issue ACMD6 and choose the appropriate bus-width.

Then the Host can access the Data between the SD card as a storage device.



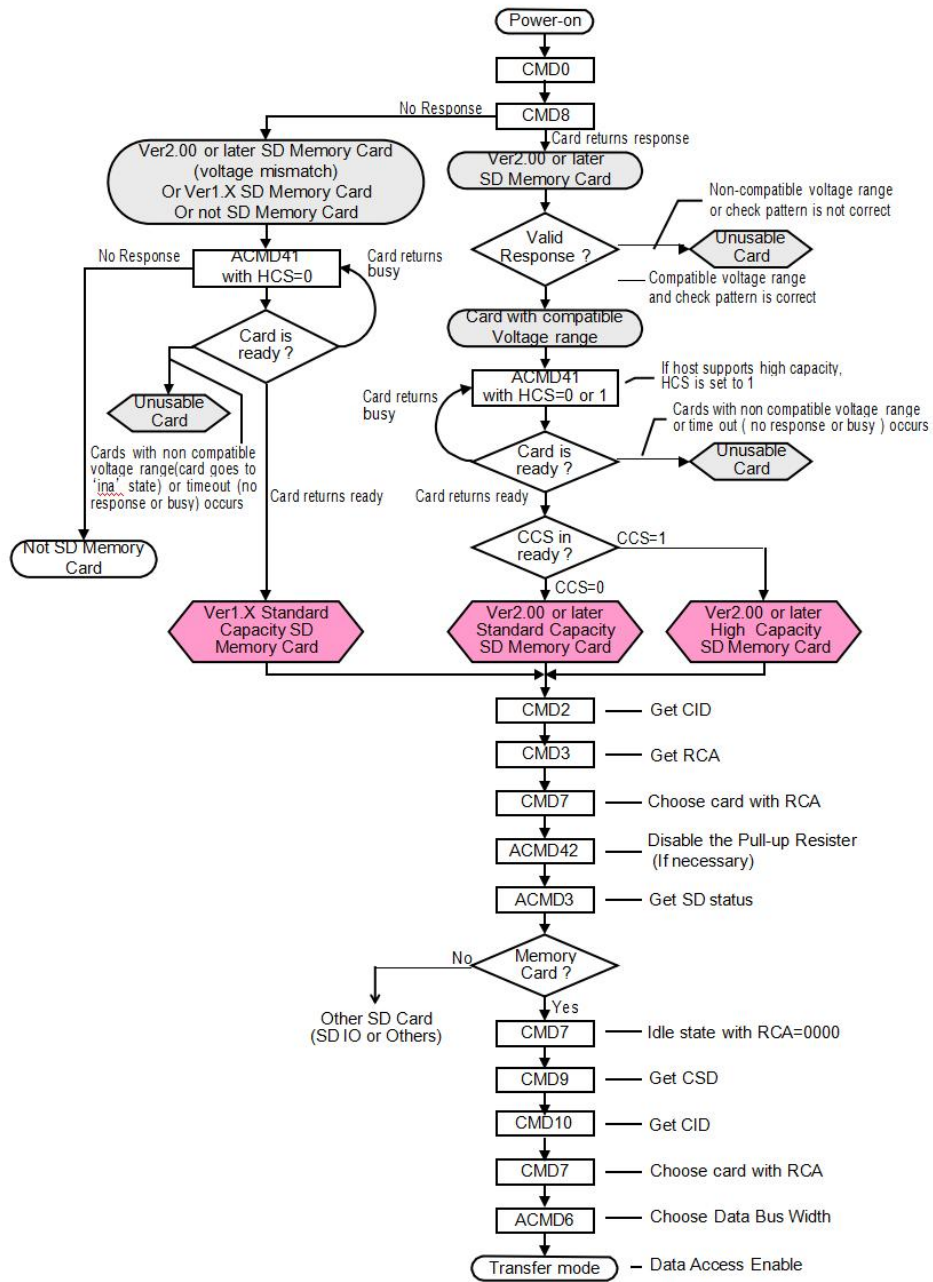
## SPI Mode Initialization Flow



MK FOUNDED



### Normal SD initial flow



### SD card Initialize Procedure



## 6.3 Electrical Characteristics

### Absolute Maximum Rating

Item	Symbol	CONDITION	MIN.	Typ.	MAX.	Unit
Supply Voltage	VDD	---	2.7	3.3	3.6	V
Input Leakage Current	IIL	VIN = 0 V to VDD	-10	-	10	uA
Output Leakage Current	ILO	VOUT= 0 V to VDD	-10	-	10	uA
Input Voltage Setup Time	Ts	VIN = 0 V to VDD	0	-	250	ms

### Current Consumption

Item	Symbol	CONDITION	MIN.	Typ.	MAX.	Unit
Read Current	ICCO1	CLK=50MHZ	-	-	30	mA
Write Current	ICCO2	CLK=50MHZ	-	-	40	mA
Standby Current	ICCS	---	-	-	130	uA

Note:

- 1) Full speed test
- 2) The SD NAND mode was four-wire during the test
- 3) The test ambient temperature was room temperature 25°C



## 7 Internal Information

### 7.1 Registers

The SD NAND has six registers and SD Status information: OCR, CID, CSD, RCA, DSR, SCR and SD Status. DSR IS NOT SUPPORTED in this card.

There are two types of register groups.

MMC compatible registers: OCR, CID, CSD, RCA, DSR, and SCR SD card Specific: SD Status

#### SD card Registers

Register Name	Bit Width	Description
OCR	32	Operation Conditions (VDU Voltage Profile and Busy Status)
CID	128	Card Identification information
CSD	128	Card specific information
RCA	16	Relative Card Address
DSR	16	Not Implemented (Programmable Card Driver): Driver Stage Register
SCR	64	SD Memory Card's special features
SD Status	512	Status bits and Card features

#### 7.1.1 OCR Register

This 32-bit register describes operating voltage range and status bit in the power supply.

##### OCR register definition

OCR bit	VDD voltage window	Initial
31	Card power up status bit(busy)	"0" = busy
30	Card Capacity Status	"0"= SD Memory Card
29-25	reserved	All 0
24	Switching to 1.8V Accepted(S18A)	0
23	3.6 - 3.5	1
22	3.5 - 3.4	1
21	3.4 - 3.3	1
20	3.3 - 3.2	1
19	3.2 - 3.1	1
18	3.1 - 3.0	1
17	3.0 - 2.9	1
16	2.9 - 2.8	1
15	2.8 - 2.7	1
14	Reserved	0



13	Reserved	0
12	Reserved	0
11	Reserved	0
10	Reserved	0
9	Reserved	0
8	Reserved	0
7	Reserved for Low Voltage Range	0
6	Reserved	0
5	Reserved	0
4	Reserved	0
3-0	reserved	All 0

bit 23-4: Describes the SD Card Voltage

bit 31 indicates the card power up status. Value "1" is set after power up and initialization procedure has been completed.

MK FOUNFER CONFIDENTIAL



## 7.1.2 CID Register

The CID (Card Identification) register is 128-bit width. It contains the card identification information. (Refer Appendix 3. for the detail)

The Value of CID Register is vender specific.

**CID Register**

Field	Width	CID-slice	Initial Value
MID	8	[127:120]	0x22
OID	16	[119:104]	0x2345
PNM	40	[103:64]	MK
PRV	8	[63:56]	0x06
PSN	32	[55:24]	150C0415
reserved	4	[23:20]	0x0
MDT	12	[19:8]	0x21C
CRC	7	[7:1]	CRC7
reserved	1	[0:0]	0x1

Note:

- 1) Depends on the SD Card. Controlled by Production Lot.
- 2) Depends on the CID Register





### 7.1.3 CSD Register

CSD is Card-Specific Data register provides information on 128bit width. Some field of this register can writable by PROGRAM\_CSD (CMD27).

**CSD Register**

Field	Width	Cell Type	CSD Slice	Initial Value
CSD_STRUCTURE	2	R	[127:126]	01b
reserved	6	R	[125:120]	000000b
TAAC	8	R	[119:112]	00001110b
NSAC	8	R	[111:104]	00000000b
TRAN_SPEED	8	R	[103:96]	00110010b
CCC	12	R	[95:84]	010110110101b
READ_BL_LEN	4	R	[83:80]	1001b
READ_BL_PARTIAL	1	R	[79:79]	0b
WRITE_BLK_MISALIG	1	R	[78:78]	0b
READ_BLK_MISALIGN	1	R	[77:77]	0b
DSR_IMP	1	R	[76:76]	0b
reserved	6	R	[75:70]	000000b
C_SIZE	22	R	[69:48]	0000000001110011011111b
reserved	1	R	[47:47]	0b
ERASE_BLK_EN	1	R	[46:46]	1b
SECTOR_SIZE	7	R	[45:39]	1111111b
WP_GRP_SIZE	7	R	[38:32]	0000000b
WP_GRP_ENABLE	1	R	[31:31]	0b
reserved	2	R	[30:29]	00b
R2W_FACTOR	3	R	[28:26]	010b
WRITE_BL_LEN	4	R	[25:22]	1001b
WRITE_BL_PARTIAL	1	R	[21:21]	0b
reserved	5	R	[20:16]	00000b
FILE_FORMAT_GRP	1	R/W(1)	[15:15]	0b
COPY	1	R/W(1)	[14:14]	0b
PERM_WRITE_PROTE	1	R/W(1)	[13:13]	0b
TMP_WRITE_PROTEC	1	R/W	[12:12]	0b
FILE_FORMAT	2	R	[11:10]	00b
reserved	2	R	[9:8]	00b
CRC	7	R/W	[7:1]	1101011b
not used, always'1'	1	-	[0:0]	1b

Cell Type:R: Read Only, R/W: Writable and Readable, R/W(1): One-time Writable / Readable

Note: Erase of one data block is not allowed in this card. This information is indicated by "ERASE\_BLK\_EN".

Host System should refer this value before one data block size erase.



### 7.1.4 RCA Register

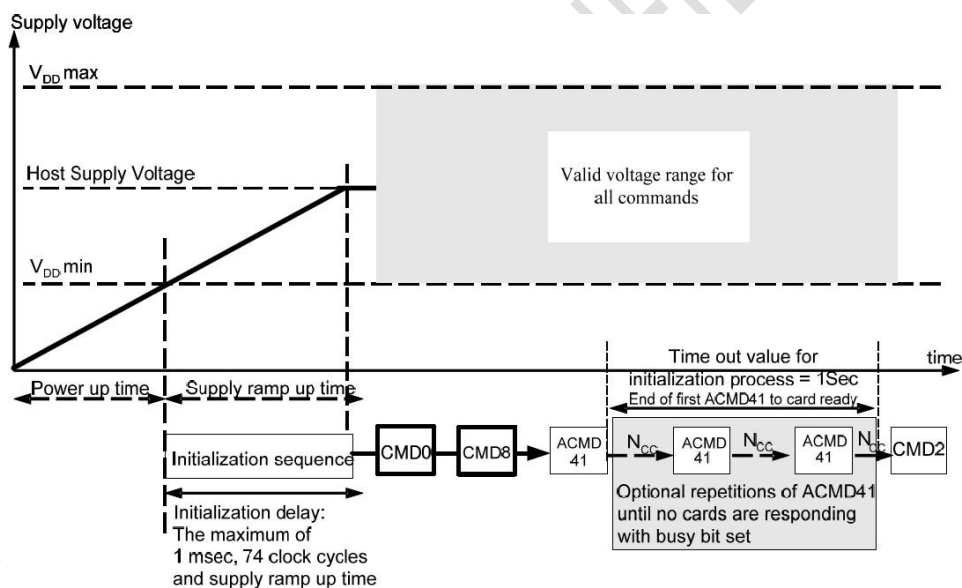
The writable 16bit relative card address register carries the card address in SD Card mode.

### 7.1.5 DSR Register

This register is not implemented on this car.

## 8 Power Scheme

### 8.1 Power Up

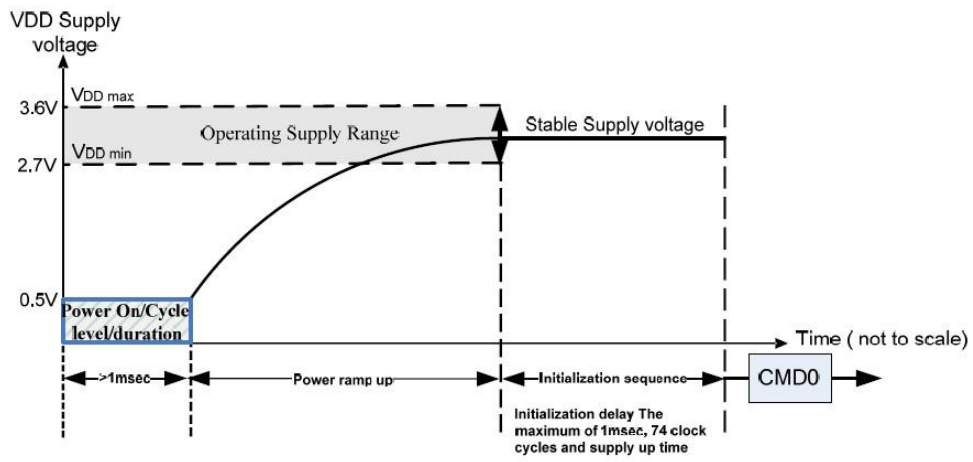


'Power up time' is defined as voltage rising time from 0 volt to  $V_{DD\ min}$ .

'Supply ramp up time' provides the time that the power is built up to the operating level (Host Supply Voltage) and the time to wait until the SD NAND can accept the first command,

The host shall supply power to the card so that the voltage is reached to  $V_{DD\ min}$  within 250ms and start to supply at least 74 SD clocks to the SD NAND with keeping CMD line to high.

### 8.2 Power Up Time



Host needs to keep power line level less than 0.5V and more than 1ms before power ramp up.

MK FOUNFER CONFIDENTIAL



### 8.2.1 Power On or Power Cycle

Followings are requirements for Power on and Power cycle to assure a reliable SD NAND hard reset.

- (1) Voltage level shall be below 0.5V
- (2) Duration shall be at least 1ms.

### 8.2.2 Power Supply Ramp Up

The power ramp up time is defined from 0.5V threshold level up to the operating supply voltage which is stable between VDD(min.) and VDD(max.) and host can supply SDCLK.

Followings are recommendation of Power ramp up:

- (1) Voltage of power ramp up should be monotonic as much as possible.
- (2) The minimum ramp up time should be 0.1ms.
- (3) The maximum ramp up time should be 35ms for 2.7-3.6V power supply.

### 8.2.3 Power Supply Ramp Up

When the host shuts down the power, the VDD shall be lowered to less than 0.5Volt for a minimum period of 1ms. During power down, DAT, CMD, and CLK should be disconnected or driven to logical 0 by the host to avoid a situation that the operating current is drawn through the signal lines.

If the host needs to change the operating voltage, a power cycle is required. Power cycle means the power is turned off and supplied again. Power cycle is also needed for accessing cards that are already in Inactive State. To create a power cycle the host shall follow the power down description before power up the card (i.e. the VDD shall be once lowered to less than 0.5Volt for a minimum period of 1ms).



## 9 Part Numbering

**MK** **D** **V** **XG** **I** **L** - **AST**

### **Company Prefix**

MK= MK company

### **Product Family**

D=SD NAND Series  
E=eMMC Series

### **Operating Voltage**

V = 2.7~3.6V (6.x\*8.0)

### **Product Density**

1G/2G/4G/8G=1Gbit/2Gbit/4Gbit/8Gbit

### **Temperature Range**

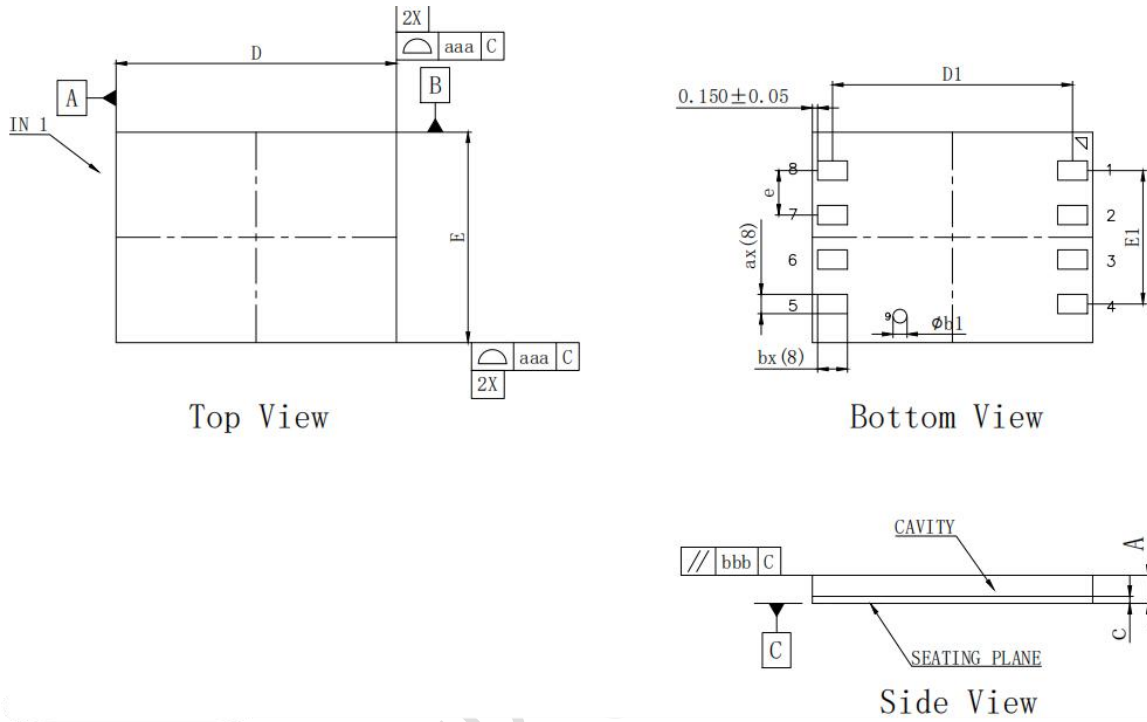
I = Industrial Grade (-40° C to +85° C)  
C = Consumption Grade (-25° C to +85°)

### **Product Package**

L=LGA Package

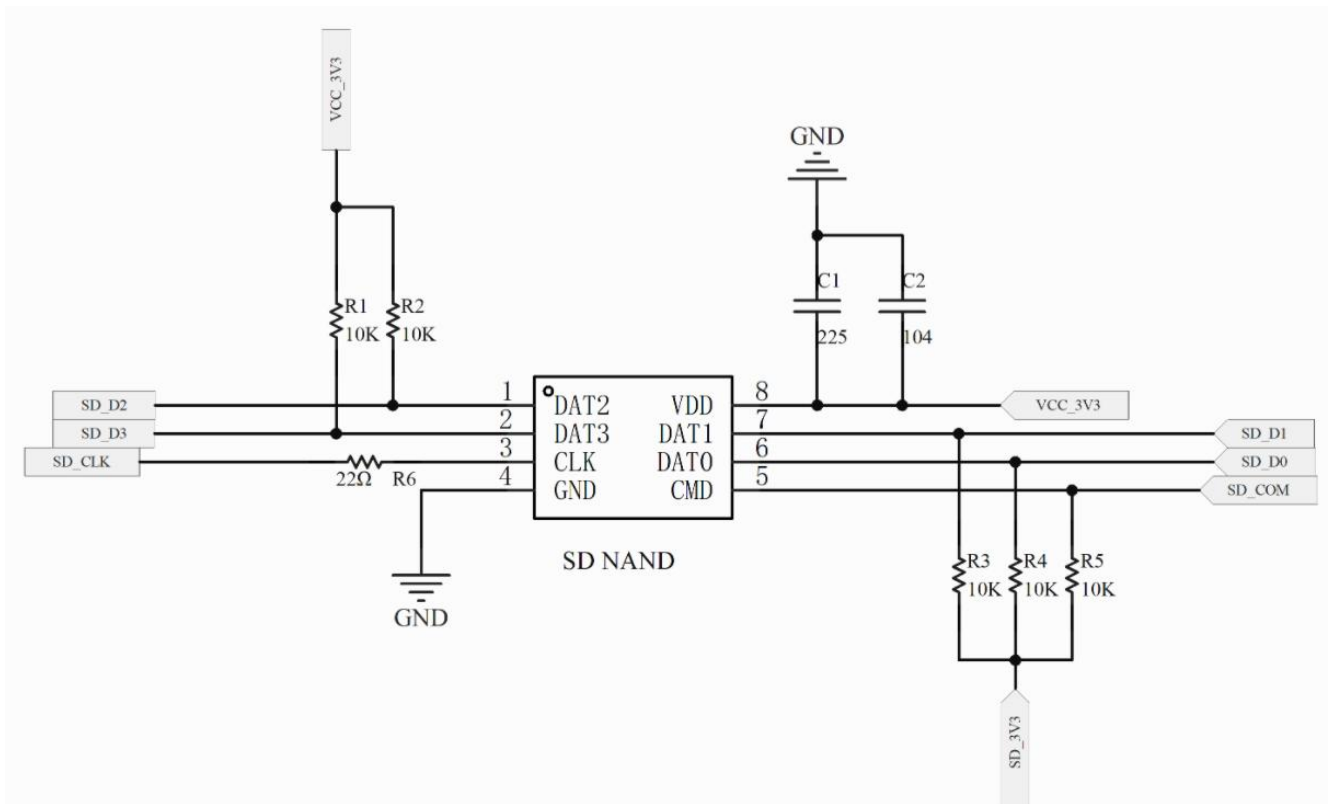
### **Version**

## 10 Package Dimensions



symbol	Dimension in mm		
	MIN	NOM	MAX
A	0.700	0.800	0.900
c	0.160	0.200	0.240
D	7.900	8.000	8.100
E	5.900	6.000	6.100
D1	---	6.850	---
E1	---	3.810	---
e	---	1.270	---
a	0.500	0.550	0.600
b	0.800	0.850	0.900
b1	0.350	0.400	0.450
aaa	0.100		
bbb	0.100		
N	9		

## 11 Reference Design



**NOTE:**

- 1) RDAT and RCMD (10K~100 kΩ) are pull-up resistors protecting the CMD and the DAT lines against bus floating when SD NAND is in a high-impedance mode.
- 2) The host shall pull-up all DAT0-3 lines by RDAT, even if the host uses the SD NAND as 1 bit mode-only in SD mode.
- 3) It is recommended to have 2.2uF capacitance on VDD.
- 4) RCLK reference 0~120 Ω, recommend 22 Ω.