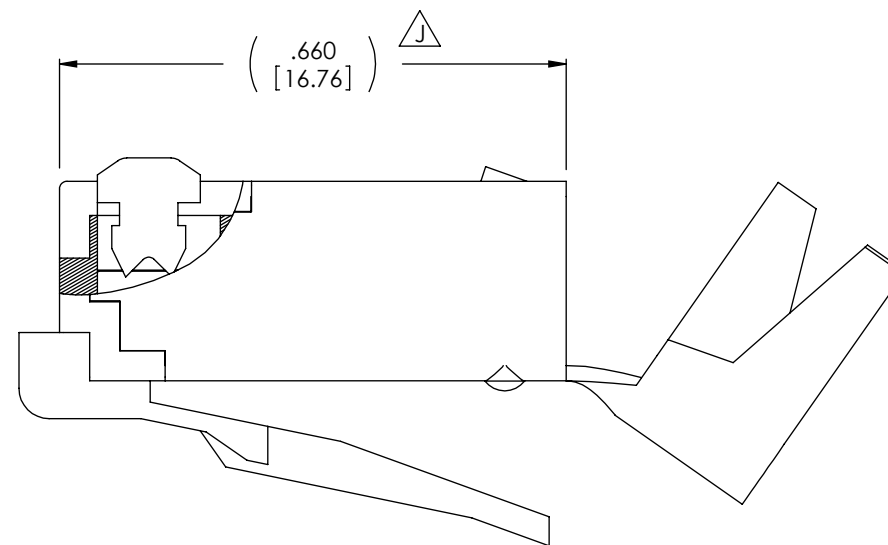
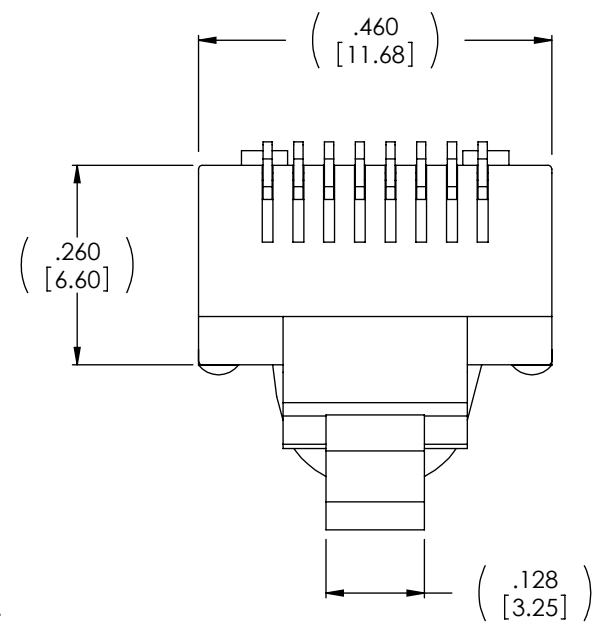
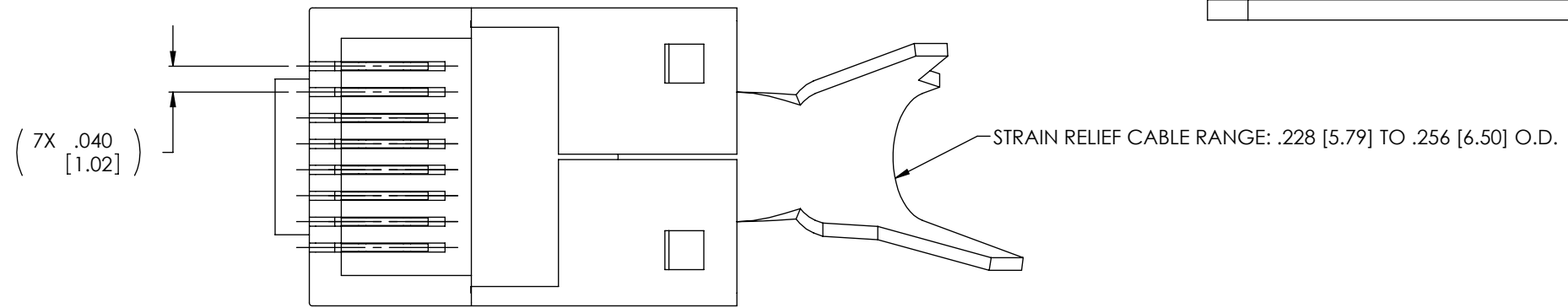


THE INFORMATION CONTAINED IN THIS DRAWING IS THE SOLE PROPERTY OF L-COM, INC. ANY REPRODUCTIONS IN PART OR WHOLE WITHOUT THE WRITTEN PERMISSION OF L-COM, INC. IS PROHIBITED.

REVISIONS			
REV	DESCRIPTION	DATE	CHANGED BY
H	ECN 4491: CN RELEASE	1/12/10	D. CASTRO
H	ECN99999: ADDED RoHS COMPLIANT STAMP	03/18/10	DFP
J	ECN5431: .660 WAS .618	04/08/11	DFP



NOTES:

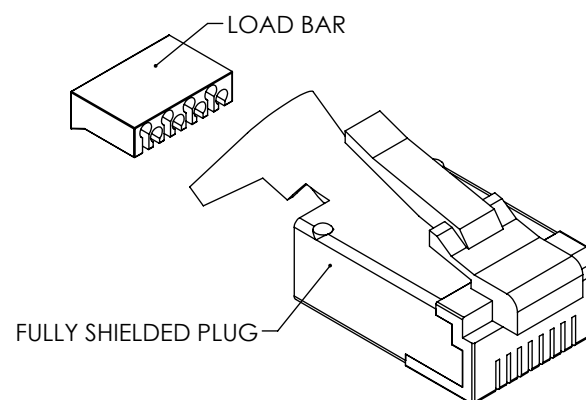
MATERIAL:
 HOUSING, LOAD BAR: POLYCARBONATE, CLEAR, UL94V-0
 CONTACTS: PHOSPHOR BRONZE
 SHIELD/STRAIN RELIEF: BRASS

FINISH:
 CONTACTS: 50 MICROINCHES [1.27 MICRON] MIN. GOLD IN CONTACT AREA
 OVER 100 MICROINCHES [2.54 MICRON] MIN. NICKEL PLATE OVERALL.
 SHIELD/STRAIN RELIEF: 100 MICROINCHES [2.54 MICRON] NICKEL

ELECTRICAL:
 VOLTAGE: 125 VAC. MAX.
 CURRENT: 1.5 AMPS MAX.

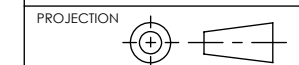
MECHANICAL:
 CONTACT STYLE: 2 PRONG
 COMPATIBLE WITH STRANDED AND SOLID CONDUCTORS
 CONDUCTOR RANGE: 24 - 26 AWG
 MAX. CONDUCTOR INSULATION DIAMETER: .042 [1.07]
 PARTS SHALL CONFORM TO TIA-1096

MISCELLANEOUS:
 OPERATING TEMPERATURE RANGE: -40°C TO +125°C
 TERMINATED CONTACT HEIGHT: .237±.005 [6.02±.13]
 FOR TERMINATION OR TOOLING INFORMATION PLEASE VISIT
 THE APPROPRIATE PRODUCT PAGE AT WWW.L-COM.COM
 PACKAGE PER SPEC. PS-0032



RoHS Compliant ✓

UNLESS OTHERWISE SPECIFIED,
 DIMENSIONS ARE IN INCHES [mm]
 OVERALL CABLE LENGTH TOLERANCE:
 ≤12 [305] = +1 [25] / -0
 >12 [305] ≤60 [1524] = +2 [51] / -0
 >60 [1524] ≤120 [3048] = +4 [102] / -0
 >120 [3048] ≤300 [7620] = +6 [152] / -0
 >300 [7620] = +5% / -0%
 ALL OTHER DIMENSIONAL TOLERANCES:
 .X = ±.2
 .XX = ±.02
 .XXX = ±.005



APPROVALS	DATE
DRAWN BY D. PARHAM	2/3/2004
CHECKED BY T. CLARK	2/3/2004
APPROVED BY C. McCORMICK	2/3/2004

L-com Global Connectivity
 45 BEECHWOOD DRIVE
 NORTH ANDOVER, MA
 01845

CATEGORY MODULAR	
PRODUCT DESCRIPTION PLUG,RJ45 8X8 SHLD W/SR	
SIZE B	FSCM NO. 43321
DWG. NO. TDS8PC5	REV. J
SCALE: 4:1 CAD FILE: TDS8PC5.SLDDRW SHEET 1 OF 1	

1AD03-013