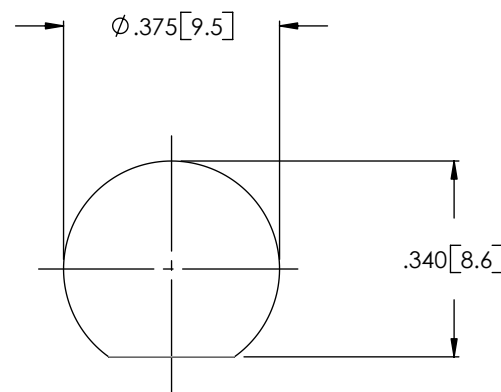
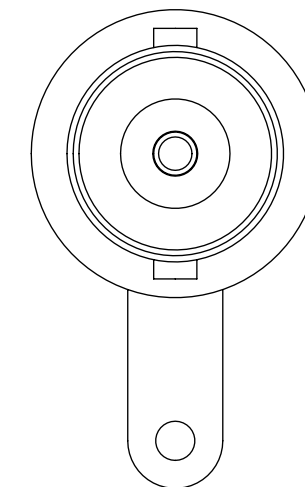
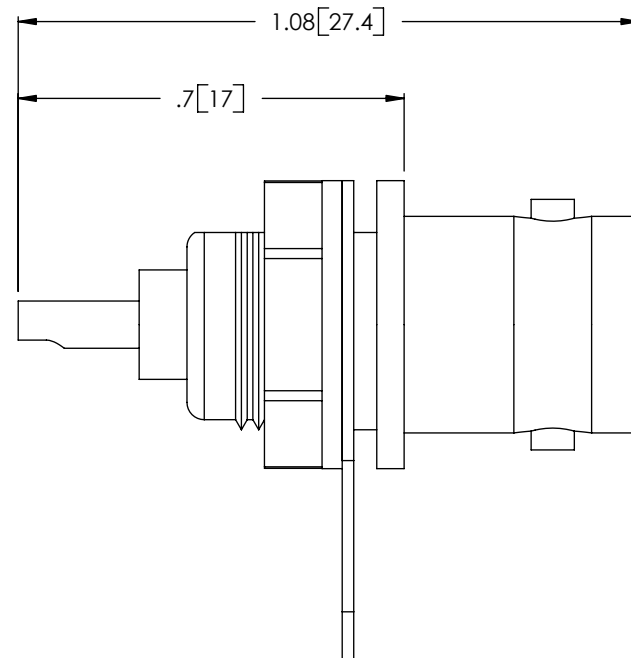


THE INFORMATION CONTAINED IN THIS DRAWING IS THE SOLE PROPERTY OF L-COM, INC. ANY REPRODUCTIONS IN PART OR WHOLE WITHOUT THE WRITTEN PERMISSION OF L-COM, INC. IS PROHIBITED.

REVISIONS			
REV	DESCRIPTION	DATE	CHANGED BY
A	RELEASED FOR PRODUCTION	10/15/01	MCCORMICK
B	ECN# 1605 ADDED COMPONENT SPECIFICATION TABLE	12/22/03	MCCORMICK
C	ECN# 2296 ADDED NOTES & REVISED COMPONENT SPECS	02/24/06	MCCORMICK
D	ECN 3165: UPDATE DWG FORMAT	1/21/08	D.GRIFFIN



RECOMMENDED PANEL HOLE



NOTES:

MATERIAL:

BODY: BRASS
 LOCK WASHER AND GROUND TAB: STEEL
 CONTACT: PHOSPHOR BRONZE
 INSULATOR: ACETAL
 NUT: BRASS

FINISH:

BODY: NICKEL PLATE
 LOCK WASHER AND GROUND TAG: NICKEL PLATE
 CONTACT: GOLD PLATE
 NUT: NICKEL PLATE

ELECTRICAL:

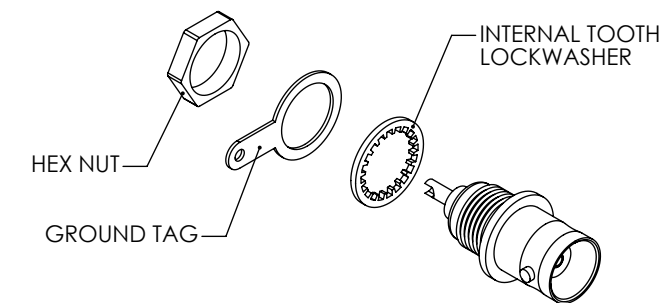
IMPEDANCE: 50 OHM

PACKAGING:

INDIVIDUALLY PACKAGE EACH ASSEMBLY UTILIZING APPROPRIATE SIZED BAG

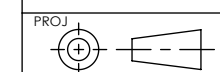
APPLICATION:

PANEL MOUNT



RoHS Compliant ✓

UNLESS OTHERWISE SPECIFIED,
 DIMENSIONS ARE IN INCHES [mm]
 TOLERANCES TO BE:
 .X ±.1 [2.5] ANGLES ±2°
 .XX ±.01 [.25]
 .XXX ±.005 [.13]
 OVERALL CABLE LENGTH TOL:
 ≤ 60 [1524] +3 [76.2] / -0
 > 60 [1524] +5% / -0%



APPROVALS	DATE
DRAWN BY C.MCCORMICK	10/15/2001
CHECKED BY D.PARHAM	10/15/2001
APPROVED BY R.CARRICK	10/15/2001

CONFIGURATION DETAILS OF
 UNDIMENSIONED FEATURES
 MAY VARY

L-com CONNECTIVITY PRODUCTS		45 BEECHWOOD DRIVE NORTH ANDOVER, MA 01845	
CATEGORY COAXIAL		PRODUCT DESCRIPTION RECEPTACLE BNC JACK BHD	
SIZE B	FSCM NO. 43321	DWG. NO. BAC70A	REV. D
SCALE: 1:1		CAD FILE: BAC70A.SLDDRW	SHEET 1 OF 1