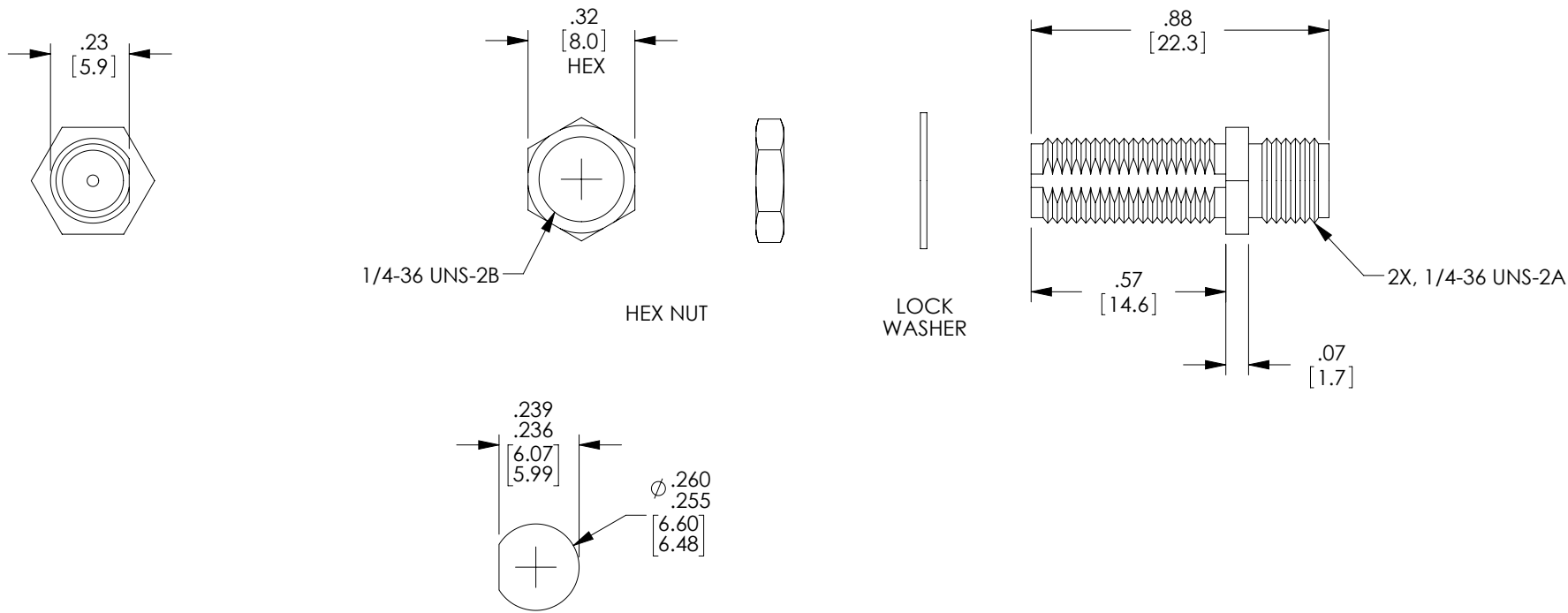


THE INFORMATION CONTAINED IN THIS DRAWING IS THE SOLE PROPERTY OF L-COM, INC. ANY REPRODUCTION IN PART OR WHOLE WITHOUT THE WRITTEN PERMISSION OF L-COM, INC. IS PROHIBITED.

REVISIONS			
REV	DESCRIPTION	DATE	APPROVED
A	INITIAL RELEASE	03/27/2012	P.PESA
B	ECN 9793: ADDED RECOMMENDED PANEL CUTOUT	04/12/2019	SELLIS

DESCRIPTION	MATERIAL	FINISH
BODY	BRASS	NICKEL PLATE
DIELECTRIC	TEFLON	--
CENTER PIN	BRASS	GOLD PLATE
LOCK WASHER	BRASS	NICKEL PLATE
NUT	BRASS	NICKEL PLATE



RECOMMENDED PANEL CUTOUT

NOTES:

IMPEDANCE: 50 OHMS
 FREQUENCY RANGE: DC ~ 6 GHz
 VOLTAGE RATING: 500 VOLTS PEAK
 DIELECTRIC WITHSTANDING VOLTAGE: 1000 VOLTS RMS
 INSERTION LOSS: .15 dB MAX.

DIMENSIONS ARE FOR REFERENCE ONLY.

COMPONENT SHALL BE INDIVIDUALLY PACKAGED IN ACCORDANCE WITH L-COM SPECIFICATION PS-0031.

UNLESS OTHERWISE SPECIFIED, DIMENSIONS ARE IN INCHES [mm] OVERALL CABLE LENGTH TOLERANCE: ≤12 [305] = +1 [25] / -0 >12 [305] ≤60 [1524] = +2 [51] / -0 >60 [1524] ≤120 [3048] = +4 [102] / -0 >120 [3048] ≤300 [7620] = +6 [152] / -0 >300 [7620] = +5% / -0% ALL OTHER DIMENSIONAL TOLERANCES: .X = ±.2 [5.08] .XX = ±.02 [51] .XXX = ±.005 [1.27]	APPROVALS DRAWN BY DFRISIELLO CHECKED BY K.BURGNER APPROVED BY P.PESA	DATE 03/26/2012 03/26/2012 03/26/2012	50 HIGH STREET NORTH ANDOVER, MA 01845		
	CATEGORY COAXIAL			PRODUCT DESCRIPTION ADP,SMA F to SMA F BLKHD BULLET	
	PROJECTION 	CONFIGURATION DETAILS OF UNDIMENSIONED FEATURES MAY VARY	COLOR VARIATIONS MAY OCCUR		SIZE A FSCM NO. 43321 DWG. NO. AXA-SFSFB
	SCALE: NONE			CAD FILE: AXA-SFSFB.SLDDRW	SHEET 1 OF 1