

# Customer Information Sheet

DRAWING No.: S1411-46R

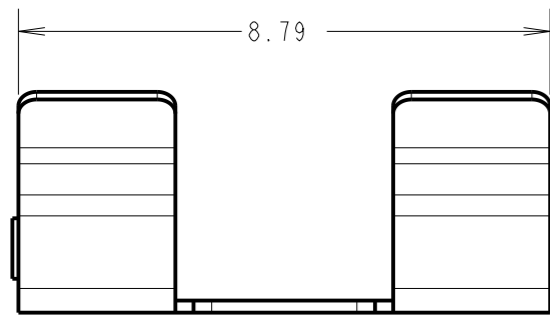
IF IN DOUBT - ASK

©

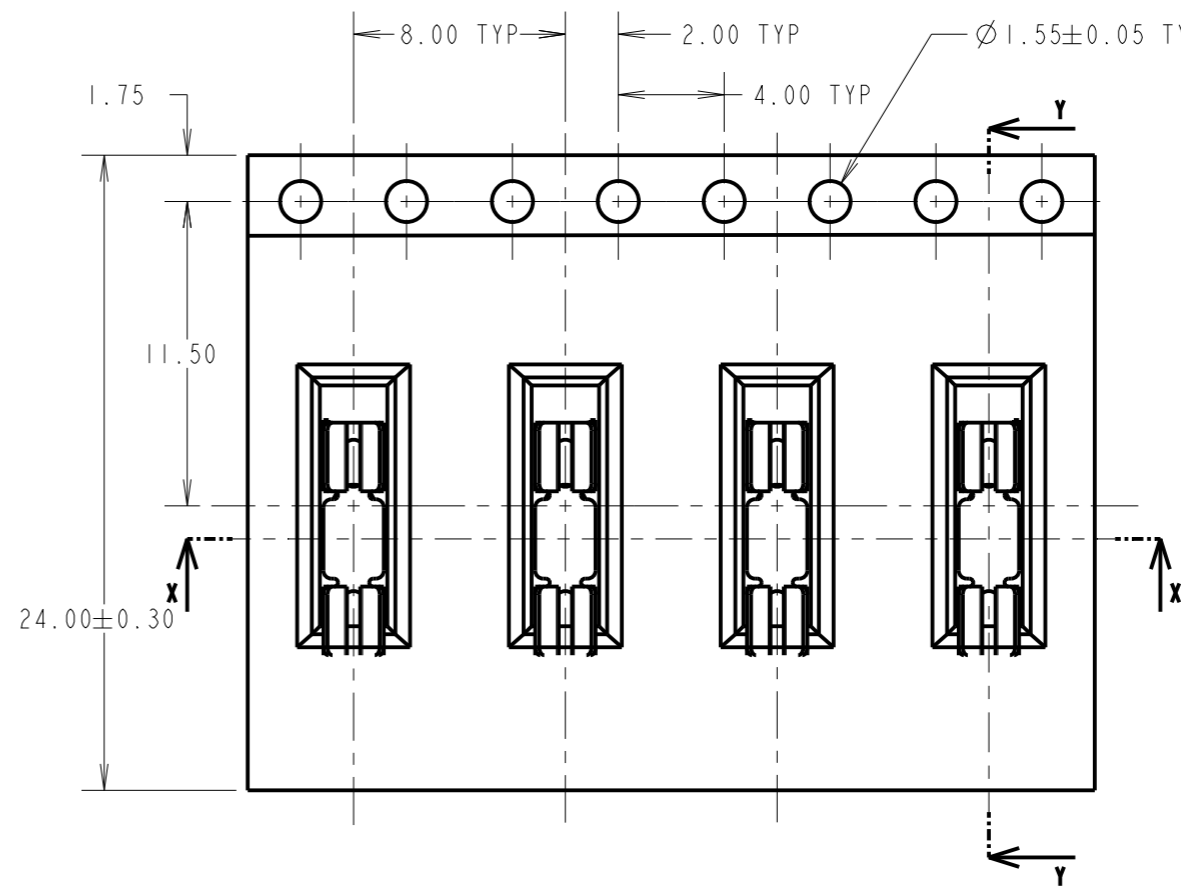
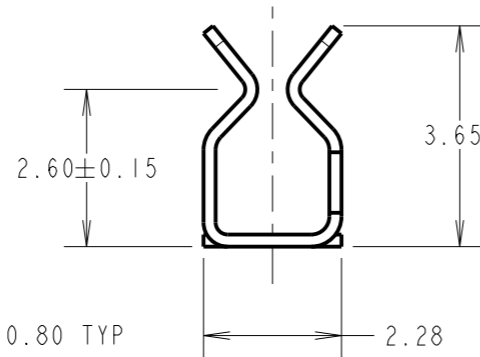
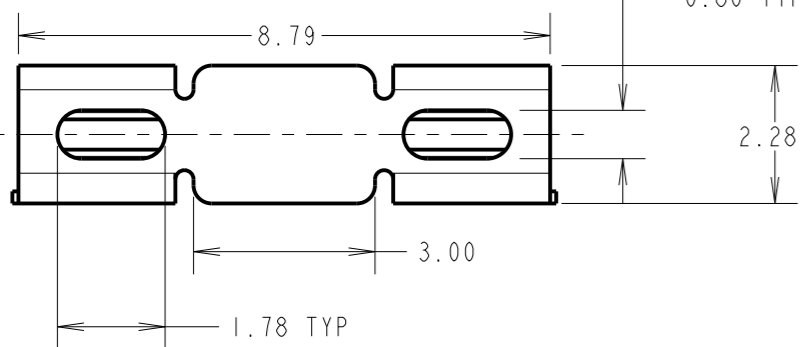
NOT TO SCALE

THIRD ANGLE PROJECTION

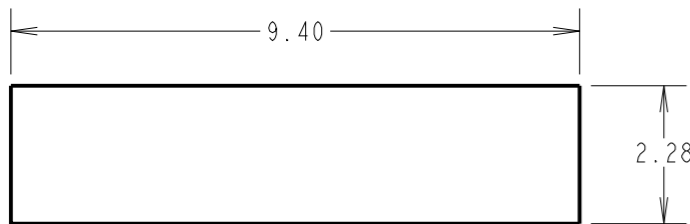
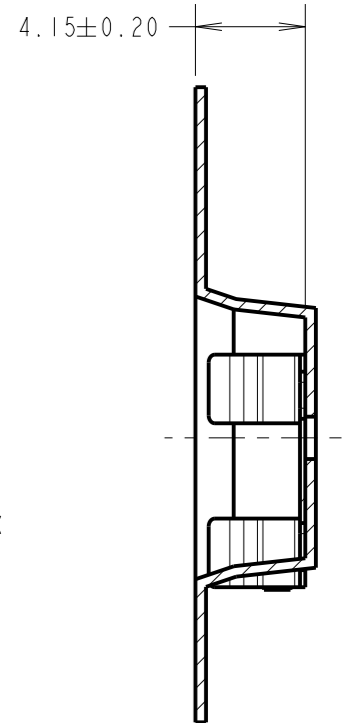
ALL DIMENSIONS IN mm



COMPONENT DETAILS

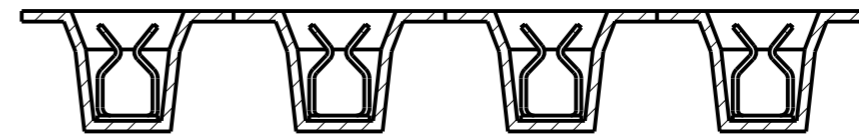
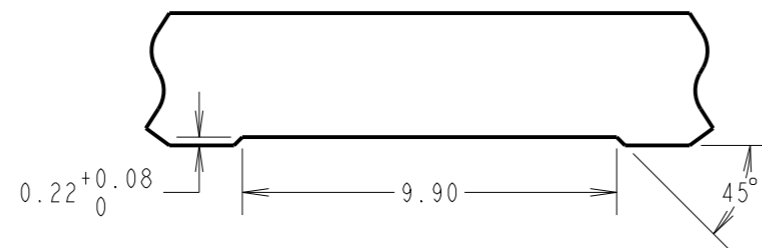


SECTION Y-Y



RECOMMENDED PAD LAYOUT

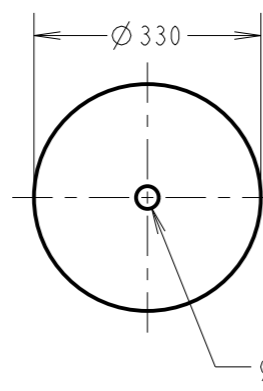
RECOMMENDED SHIELD CAN CUT OUT



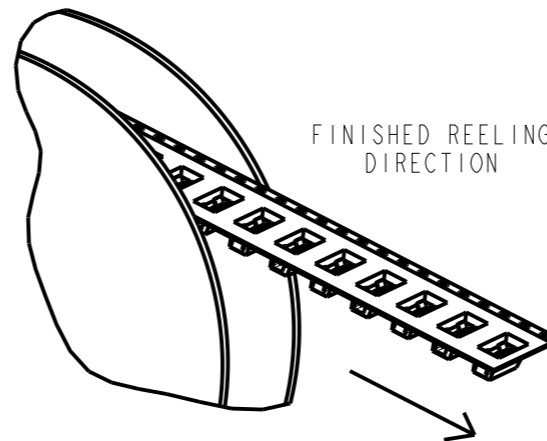
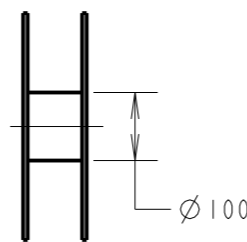
SECTION X-X

COMPONENT SPECIFICATION:  
 MATERIAL = BERYLLIUM COPPER  
 FINISH = 2.4-3.6µm 100% TIN,  
 OVER 2.0-2.8µm NICKEL.

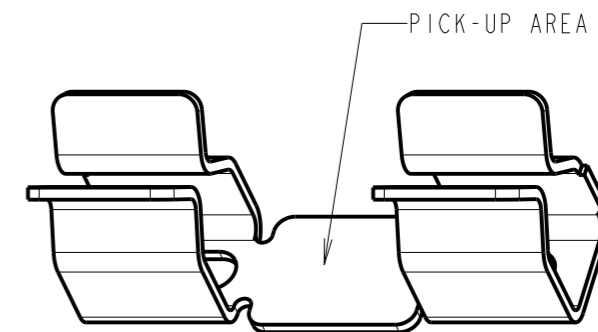
PERFORMANCE SPECIFICATIONS:  
 INSERTION FORCE (AFTER CONDITIONING):  
 0.7mm SHIELD = 4.5N MAX  
 1.0mm SHIELD = 7N MAX  
 WITHDRAWAL FORCE:  
 0.7mm SHIELD = 0.8N MIN  
 1.0mm SHIELD = 1.5N MIN  
 DURABILITY = 20 INSERTIONS MINIMUM  
 CONTACT RESISTANCE = 20mΩ MAX  
 SHIELD THICKNESS = 0.7-1.0mm



REEL DETAILS



FINISHED REELING DIRECTION



PICK-UP AREA

NOTES:  
 1. QUANTITY PER REEL = 1,900.  
 2. THIS PRODUCT IS TAPED AND REELED IN ACCORDANCE WITH EIA-481 (ELECTRONIC INDUSTRIES ASSOCIATION).

**HARWIN**

www.harwin.com  
 technical@harwin.com

THIS DRAWING AND ANY INFORMATION OR DESCRIPTIVE MATTER SET OUT HEREON ARE CONFIDENTIAL AND COPYRIGHT PROPERTY OF THE HARWIN GROUP AND MUST NOT BE DISCLOSED, LOANED, COPIED OR USED FOR MANUFACTURING, TENDERING OR FOR ANY OTHER PURPOSE WITHOUT THEIR WRITTEN PERMISSION.

TOLERANCES

X. = ±1mm  
 X.X = ±0.50mm  
 X.XX = ±0.20mm  
 X.XXX = ±0.01mm

ANGLES = ±5°

UNLESS STATED

MATERIAL:

SEE ABOVE

FINISH:

SEE ABOVE

S/AREA:

mm<sup>2</sup>

TITLE:

SMT RFI SHIELD CLIP  
 IN TAPE AND REEL

DRAWING NUMBER:

**S1411-46R**

RTP	8	01.08.22	31741
NAME	ISS.	DATE	CN/CO
APPROVED: R.PORTLOCK			
CHECKED: M.RUDKIN			
DRAWN: M. PLESTED			
CUSTOMER REF.:			
ASSEMBLY DRG:			