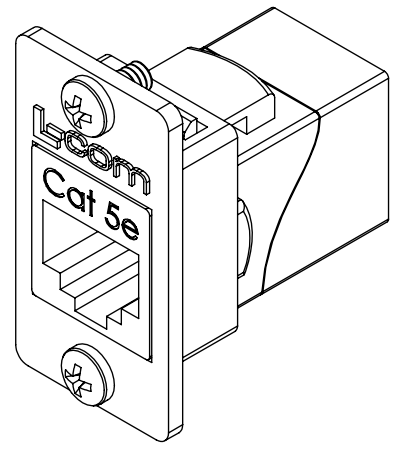
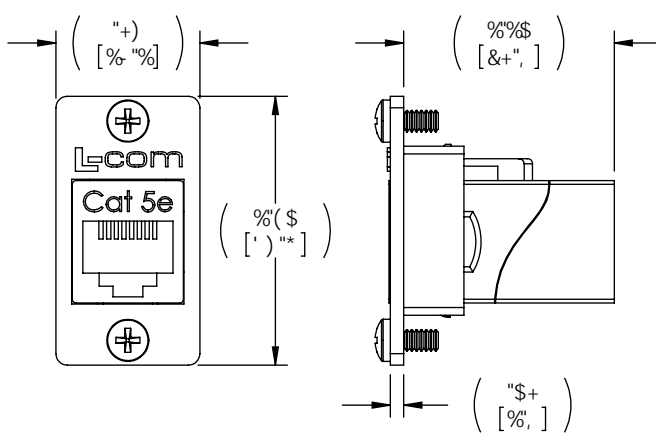
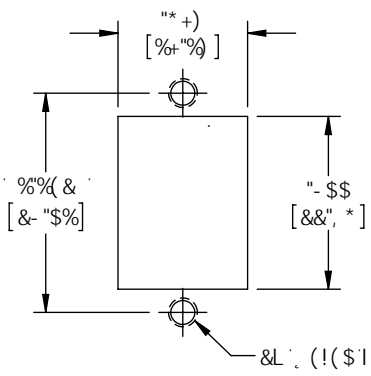


H:9`B: CFA 5HC B`7 C B H 5-B 98`B`H:G`8F5K`B: "G`H:9`GC`@
 DFC D9F HMC: @7 C A Z-B7`" 5 B M F 9 D F C 8 I 7 H C B`B`D5 F H C F K`<C`@
 K`H:C I H H:9 K F H B B`D9 F A`G G C B C: @7 C A Z-B7`" G D F C`<6+98`"

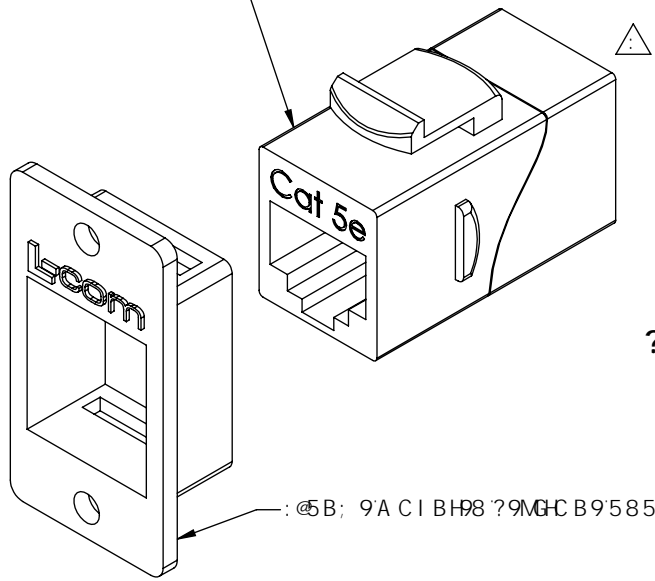
F9J 6C BG			
F9J	89G7 F-DHC B	85H9	5DDFCJ 98
9	97 B (& - . 58898`" *J	-#(#\$-	8`7 5 G F C
:	97 B * , % 58898 D?: @97`" I D85H98 @C: C 588 7 C I D@9F`D-7 H C F5@EM	*#% #%	8`89G-5F8 B



F97 C A A 98898
 D5B9@C D9B-B;

7 5 H) 9 F > () ? 9 M G H C B 9 7 C I D @ 9 F
 f @ 7 C A`D # B .`H B ; % \$ & * ? 7) L

& L`!(\$ I B 7 ! & 5
 L`%#(" @ C B;



? H G < C K B : I @ M 5 G G 9 A 6 @ 9 8 : C F 7 @ 5 F # M
 f ? H G < - D D 9 8 I B ! 5 G G 9 A 6 @ 9 8 L

? H B 7 @ 8 9 G
 % 7 C I D @ 9 F
 % : @ 5 B ; 9 5 8 5 D H C F
 % D 5 7 ? 5 ; 9 A C I B H B ; G 7 F 9 K G f (! (\$ I`%#(L

BCH9G

A 5 H F - 5 @
 : @ B ; 9 8`585 D H C F . N B 7`5 @ C M
 < 5 F 8 K 5 F 9 . G H 5 - B @ 9 G G H 9 9 @

: B C -
 : @ B ; 9 8`585 D H C F . B 7 ? 9 @ D @ 5 H 9`

A 6 7 9 @ 5 B 9 C I G
 " 7 I F F 9 B H F 5 H B ; . %) 5

D57?5; -B; .
 ? + G < 5 @ @ 6 9`B 8 J`8 I 5 @ M D 5 7 ? 5 ; 9 8`B`5 7 7 C F 8 5 B 7 9
 K`H`@ 7 C A`D 5 7 ? 5 ; -B;`G D 9 7`÷ 7`5 H C B`D G \$ \$`%`

F9; I @ H C F M 7 C A D @ 5 B 7 9.
 " F C < G 7 9

1 B @ 9 G C H : 9 F K @ 9 9 7`÷ 9 8 2 8 A 9 B G C B G 5 F 9 B`B 7 < 9 G Q a Q C J 9 F 5 @ 7 5 6 @ 9 9 B ; H : H C @ 9 F 5 B 7 9 . @ & O S) O I 2 % Q) O # I \$ 2 % & O S) O # 5 O # & (O I 2 & Q % O # I \$ 2`S O # & O % @ S O S (O I 2 (O % & O # I \$ 2 % @ S O S (O # S S O`8 8 O I 2`O # 8 O # I \$ 2`S S O`8 8 O I 2) I`# I \$	5DDFCJ 5 @G	85H9		() 6997 < K C C 8 8 F # 9 B C F H : 5 B 8 C J 9 F Z A 5 % ()
5 @ C H : 9 F 8 A 9 B G C B 5 @ H C @ 9 F 5 B 7 9 G L L 1 -`& O`S`O L L L 1 -`S & O) 9 D L L L 1 -`S S) O % Q	7 C B : ÷ I F 5 H C B 8 9 4 5 @ G C : I B 8 A 9 B G C B 9 8 : 9 5 H F 9 G A 5 M J 5 F M	7 C @ C F J 5 F 5 H C B G A 5 M C 7 7 I F		7 5 H) 9 F > ()`D B @ 7 D @ F`? # I H 9 @ 7 C A`# A C 8 I @ 5 F D F C 8 I 7 H 8 9 9 7 F`D H C B