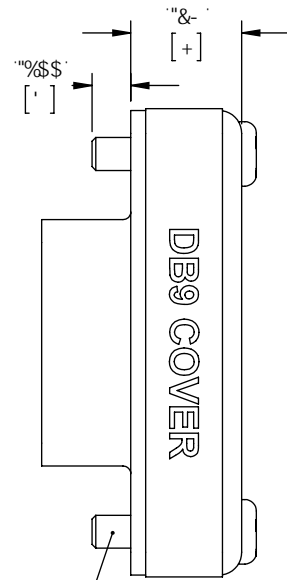
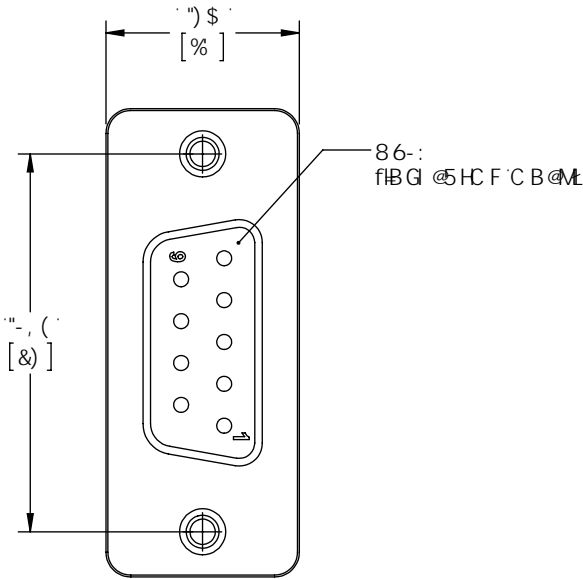
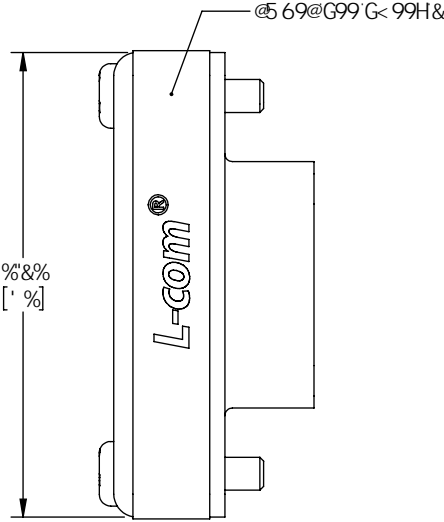


H:9`B: CFA 5HC B`7C B H5-B98`B`H:G`8F5K B: "G`H:9`GC @9
 DFC D9F HMC: @7CA 2-B7`5B MF9DFC 81 7HC B`B D5FHC F K <C @9
 K H:C I H H:9K F H B B D9FA GGC B C: @7CA 2-B7`GDFC <6+98`

F9J 6C BG			
F9J	89G7 F-DHC B	85H9	5DDFCJ 98
5	F9@95 09: C F DFC 81 7HC B D9F 97 B %&`*	%\$#%\$#&	D@97 @5 F
6	97 B` , (% , %1 58898 B-7 79@D@5HB: HC A 5HF 5 @GD97 ÷ 7 5HC B	\$- #S` #S`	6A 5N9>?5
7	97 B` , % +` 1 7 <: @B` C H9`%` C B` &B X G: HHC` "B6- 7 C J 9F`	\$&#&\$#&(\$	6A 5N9>?5
8	97 B` *%) : 58898 FC <GG5A D 5B8 D57?5: -B: "I D85H98 8FK " : CFA 5H`)#&(#%&	8`89G-5F8@



GD97 ÷ 7 5HC BG

%`A 5HF 5 @G
 ...`%`G< 9@@`B 7? 9@D@5H98 Z 7 C @8`FC @@98`GH99@
 ...`%`& 7 C J 9F. "B 7? 9@D@5H98 Z 7 C @8`FC @@98`GH99@
 &"5DD@7 5HC B. "7 C J 9F: #G`G`5B85F8`-!7 C B H57 HA 5 @9
 ...`8!G 6A B-5H F9D@; "
 "7 C A DC B 9BHG< 5 @69`B 8 ÷ 81 5 @MD57?5; 98`B`577 C F 85B 79
 ...`K`H`@7CA`GD97 ÷ 7 5HC B`DQ`\$\$`%`

Fc<G'7ca d`Jubh`U

1 B @GGC H: 9F K @9 GD97 ÷ 982 8 A 9BGC BG 5F9 B`B 7 <9G Q: a Q C J 9F 5 @7 5 6 @9 @9B: H: HC @9F 5B 7 9. @& O S) Q1 2% Q) Q#1\$ 2% & O S) Q# 5 Q) & (Q1 Z & Q %Q#1\$ 2`S` Q) & (Q#%& S O S(Q1 Z(Q#& Q#1\$ 2%& S O S(Q#`SS`Q`85Q1 Z`Q) & Q#1\$ 2`SS`Q`85Q1 Z)1 #1\$	5DDFCJ 5 @G 8F5K B 6M D @97 @5 F 7 <97 98 6M 7 A 7 7 C F A - 7? 5DDFCJ 98 6M F 7 5 FF - 7?	85H9 %\$#%\$#&\$& %\$#%\$#&\$& %\$#%\$#&\$&	L-com Global Connectivity () 6997 <K C C 8 8F ÷ 9 BC FH: 5B8C J 9F ZA 5 \$% ()
5 @C H: 9F 8 A 9B GC B 5 @HC @9F 5B 7 9G "L 1 -`& "LL 1 -`\$& "LLL 1 -`\$\$	7 CB: ÷ 1 F 5HC B 8 9H5 @GC: 1 B 8 A 9B GC B 98: 95 H 9G A 5M J 5FM	7 C B: ÷ 1 F 5HC B 8 9H5 @GC: 1 B 8 A 9B GC B 98: 95 H 9G A 5M J 5FM	75H9: CFM 8!G 6A B-5H F9 DFC 81 7 H 8 9G7 F-DHC B 7 C J 9F Z: C F`86-A`G< @8
DFC >97 HC B 	7 C @F J 5 F 5 HC BG A 5M C 7 7 I F	G@9 5 :G A`BC` BK: "BC` ('`&% 8A @\$\$-D	F9J` 8 G 7 5 @9. BC B 9 7 5 8 : @9: "8A @\$\$-D`G 8 8 F K G< 99H`% C : &

H:9`B: CFA 5HC B`7C B15-B98`B`H:G`8F5K`B: `G`H:9`GC`
DFC D9F HMC : @7 CA Z-B7`5B MF9DFC 8I 7 HC B`B D5FHC F K <C`
K H:C I H:9K F H:9B D9FA GGC B C : @7 CA Z-B7`GDFC <6+98`

8

8

7

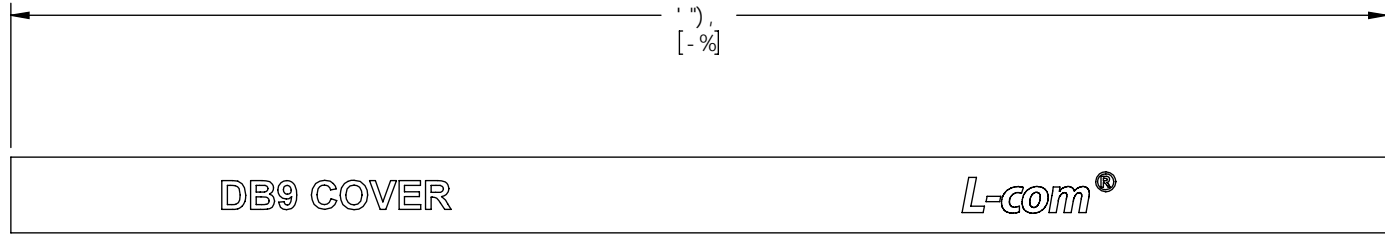
7

6

6

5

5



@69@GD97 ÷ 7 5 HC B.

%`@69@
`%`657?; FC I B8.`D5BHC B9&- ()`6@ 9
`%`@7 CA`@; C : CBH`A mJUXA A`#5@7`!<9÷ <H1`"\$,))
`%`86-`7 C J 9F"; CBH`5F-5@6C @8`!<9÷ <H1`"\$+)
`%`H9LH7 C @F.`K <+9

L-com Global Connectivity		() 6997 <K CC 8 8F# 9 BCFH: 5B8CJ 9FZA 5 \$% ()	
75H: CFM		8!G 6A B-5H F9	
DFC 8I 7H8 9G7 F DHC B			
7 C J 9Fž: C F`86-A`G<@8			
G49	:G7 A`BC`	8K :`"BC`	F9J`
5	(`&%`	8A @\$\$-D	8
G7 5 @9: BCB9 758: @9`"8A @\$\$-D`G8 8FK			G< 99H & C : &

+

*

)

(

&

%