

3.3V Low Jitter 1-to-4 Crystal/LVCMOS to LVPECL Fanout Buffer

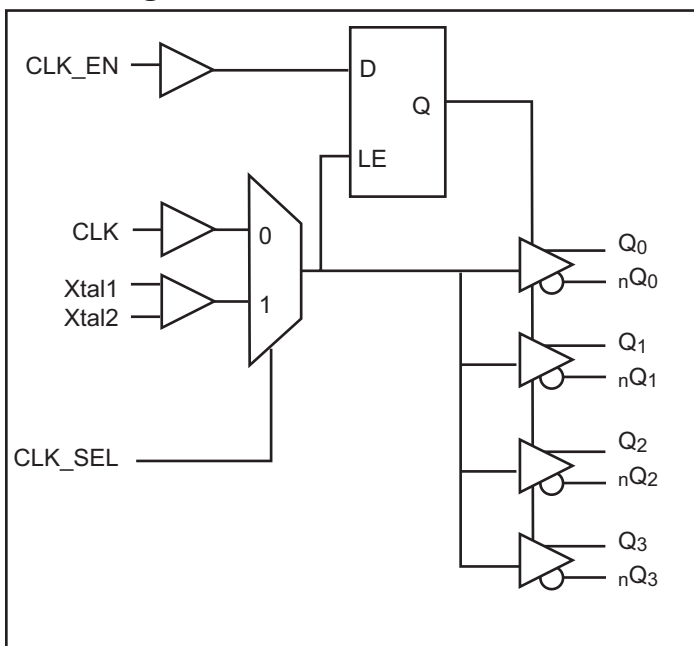
Features

- Maximum output frequency: 500MHz
- 4 pair of differential LVPECL outputs
- Selectable CLK and crystal inputs
- CLK accepts LVCMOS, LVTTTL input level
- Ultra low additive phase jitter: < 0.05 ps (typ) (differential 156.25MHz, 12KHz to 20MHz integration range)
- Output Skew: 30ps (maximum)
- Part-to-part skew: 200ps (maximum)
- Propagation delay: 1.5ns (maximum)
- 3.3V power supply
- Pin-to-pin compatible to ICS8535-11, ICS8535-31
- Operating Temperature: -40°C to 85°C
- Packaging (Pb-free & Green available):
- 20-pin TSSOP (L)

Description

The PI6C48535-11B is a high-performance low jitter and low-skew LVPECL fanout buffer. PI6C48535-11B features selectable of single-ended clock or crystal inputs and translates to four LVPECL outputs. The CLK input accepts LVCMOS or LVTTTL signals. The outputs are synchronized with input clock during asynchronous assertion /deassertion of CLK_EN pin. PI6C48535-11B is ideal for crystal or LVCMOS/LVTTTL to LVPECL translation. Typical clock translation and distribution applications are data-communications and telecommunications.

Block Diagram



Pin Diagram

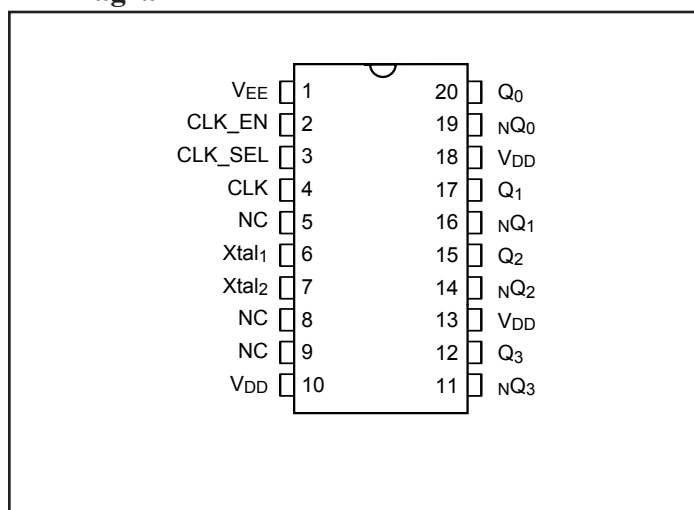
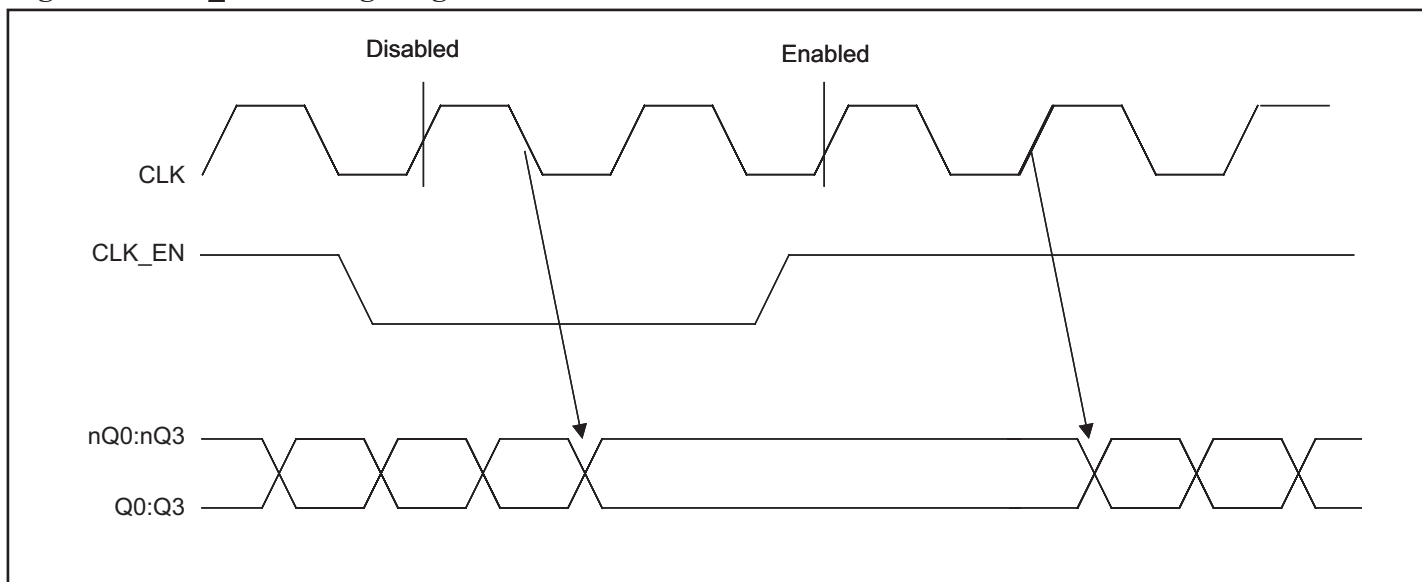


Figure 1. CLK_EN Timing Diagram



Clock Input Function Table

Inputs	Outputs	
CLK	Q0:Q3	nQ0:nQ3
0	LOW	HIGH
1	HIGH	LOW

Absolute Maximum Ratings

Symbol	Parameter	Conditions	Min.	Typ.	Max.	Units
V _{DD}	Supply voltage	Referenced to GND			4.6	V
V _{IN}	Input voltage	Referenced to GND	-0.5		V _{DD} +0.5V	
V _{OUT}	Output voltage	Referenced to GND	-0.5		V _{DD} +0.5V	
T _{STG}	Storage temperature		-65		150	°C

Notes:

- Stresses above those listed under Absolute Maximum Ratings may cause permanent damage to the device. These ratings are stress specifications only and correct functional operation of the device at these or any other conditions above those listed in the operational sections of the specifications is not implied. Exposure to absolute maximum rating conditions for extended periods may affect product reliability.

Operating Conditions

Symbol	Parameter	Conditions	Min.	Typ.	Max.	Units
V _{DD}	Power Supply Voltage		3.135	3.3	3.465	V
T _A	Ambient Temperature		-40		85	°C
I _{DD}	Power Supply Current	All outputs unloaded			130	mA

LVCMOS/LVTTL DC Characteristics ($T_A = -40^{\circ}\text{C}$ to 85°C , $V_{DD} = 3.3\text{V} \pm 5\%$ unless otherwise stated below.)

Symbol	Parameter		Conditions	Min	Typ	Max	Units
V_{IH}	Input High Voltage			2		$V_{DD}+0.3$	V
V_{IL}	Input Low Voltage			-0.3		0.8	
I_{IH}	Input High Current	CLK, CLK_SEL	$V_{IN} = V_{DD} = 3.3\text{V}$			150	μA
		CLK_EN	$V_{IN} = V_{DD} = 3.3\text{V}$			10	
I_{IL}	Input Low Current	CLK, CLK_SEL	$V_{IN} = 0\text{V}, V_{DD} = 3.3\text{V}$	-10			
		CLK_EN	$V_{IN} = 0\text{V}, V_{DD} = 3.3\text{V}$	-150			

LVPECL DC Characteristics ($T_A = -40^{\circ}\text{C}$ to 85°C , $V_{DD} = 3.3\text{V}$ unless otherwise stated below.)

Symbol	Parameter	Conditions	Min.	Typ.	Max.	Units
V_{OH}	Output High Voltage		2.1		2.6	V
V_{OL}	Output Low Voltage		1.3		1.8	

Crystal Characteristics

Parameter	Min.	Typ.	Max.	Units
Mode of Oscillation	Fundamental			
Frequency Range	12		40	MHz
Equivalent Series Resistance (ESR)			70	Ω
Shunt Capacitance			7	pF

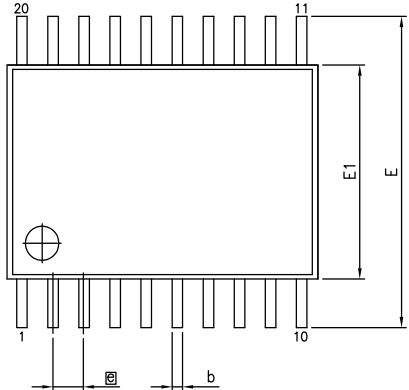
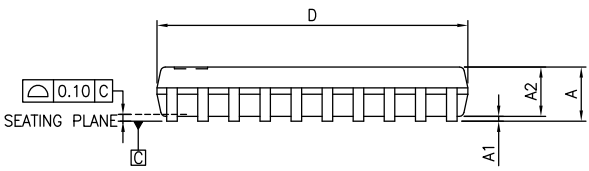
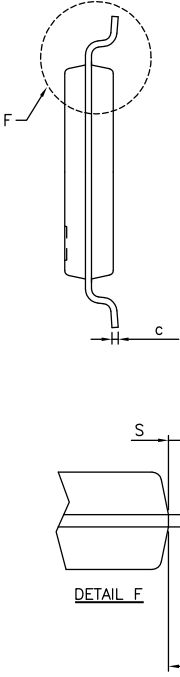
AC Characteristics ($T_A = -40^{\circ}\text{C}$ to 85°C , $V_{DD} = 3.3\text{V} \pm 5\%$)

Symbol	Parameter	Conditions	Min.	Typ.	Max.	Units
f_{max}	Output Frequency				500	MHz
t_{jit}	Buffer Additive Jitter RMS	156.25MHz		0.05		ps
V_{SWING}	Peak-to-peak Output Voltage Swing	156.25MHz	0.6		1.1	V
t_{Pd}	Propagation Delay ^{(1) (4)}				1.5	ns
$T_{sk(o)}$	Output-to-output Skew ^{(2) (4)}				30	ps
$T_{sk(pp)}$	Part-to-part Skew ^{(3) (4)}				200	
t_r/t_f	Output Rise/Fall time ⁽⁴⁾	20% - 80%	100		400	
odc	Output duty cycle ⁽⁴⁾		48		52	%
Osc	Crystal Tolerance				1000	ppm

Notes:

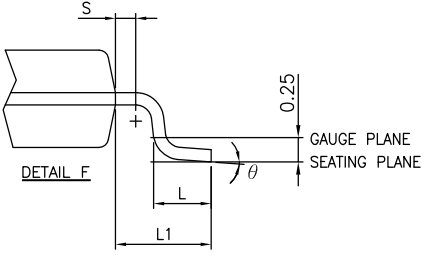
1. Measured from the $V_{DD}/2$ of the input to the differential output crossing point
2. Defined as skew between outputs at the same supply voltage and with equal load condition. Measured at the outputs differential crossing point.
3. Defined as skew between outputs on different parts operating at the same supply voltage and with equal load condition. Measured at the outputs differential crossing point.
4. All parameters are measured with CMOS input of 266MHz unless stated otherwise

Packaging Mechanical: 20-Pin TSSOP (L)


VARIATIONS (ALL DIMENSIONS SHOWN IN MM)

SYMBOLS	MIN.	NOM.	MAX.
A	—	—	1.20
A1	0.05	—	0.15
A2	0.80	—	1.05
b	0.19	—	0.30
C	0.09	—	0.20
D	6.40	6.50	6.60
E1	4.30	4.40	4.50
E	6.40 BSC		
[e]	0.65 BSC		
L1	1.00 REF		
L	0.45	0.60	0.75
S	0.20	—	—
θ	0°	—	8°



Notes:

1. Refer JEDEC MO-153F/AC
2. Controlling dimensions in millimeters
3. Package outline exclusive of mold flash and metal burr


DATE: 05/03/12

DESCRIPTION: 20-pin, 173mil Wide TSSOP

PACKAGE CODE: L

DOCUMENT CONTROL #: PD-1311 **REVISION: F**

Ordering Information

Ordering Code	Package Code	Package Description
PI6C48535-11BLIE	L	Pb-free & Green 20-pin 173-mil wide TSSOP

Notes:

1. Thermal characteristics can be found on the company web site at www.pericom.com/packaging/