

H3-MACPCT0030

5-1200MHz 75Ω 16dB Coupler

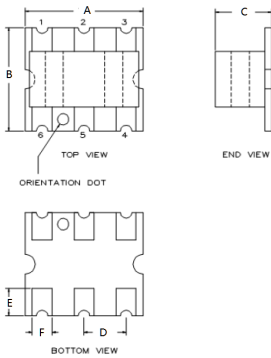
APPLICATIONS

• Ideally suited for CATV Broadband applications.

FEATURES

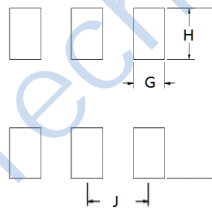
- Surface mount
- 16dB Coupler
- RoHS compliant and Pb free
- Available on tape and reel

DIMENSIONS



| | | |
|------|------|---------|
| A | B | C |
| 7.11 | 6.35 | 4.85Max |
| D | E | F |
| 2.54 | 1.50 | 1.00 |

Land Pattern



| | | |
|------|------|------|
| G | H | I |
| 1.27 | 1.75 | 7.80 |
| J | | |
| 2.54 | | |

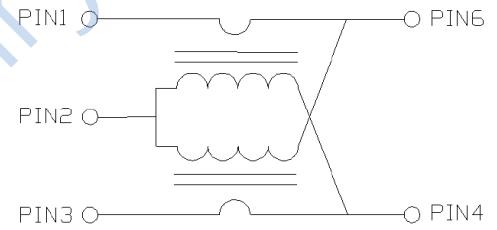
Unless otherwise stated dimensions are in mm

Tolerance: .xx ± 0.25, .xxx ± 0.05

ELECTRICAL SPECIFICATIONS@25°C:

| Parameters (P#: ENA PORT) | frequency band | Min. | Typ. | Max. | Unit |
|---------------------------------|----------------|------|-------------|------|------|
| Port Impedance, Z0(P1/P2/P3/P4) | | | 75/75/75/75 | | Ohm |
| Coupling (pin1-3) | 5 - 40 MHz | | 15.8 | 16.0 | dB |
| | 40-1000MHz | | 16.0 | 17.5 | dB |
| | 1000-1200MHz | | 16.2 | 18.5 | dB |
| Main Line Loss (pin1-6) | 5 - 1000 MHz | | 0.8 | 1.25 | dB |
| | 1000-1200MHz | | 1.1 | 1.6 | dB |
| Input Return Loss (pin1) | 5 - 40 MHz | 20 | 24 | | dB |
| | 40-1000MHz | 24 | 27 | | dB |
| | 1000-1200MHz | 22 | 25 | | dB |
| Output Return Loss (pin6) | 5 - 40 MHz | 20 | 23 | | dB |
| | 40-1000MHz | 25 | 30 | | dB |
| | 1000-1200MHz | 20 | 27 | | dB |
| Coupled Return Loss (pin3) | 5 - 1000 MHz | 20 | 23 | | dB |
| | 1000-1200MHz | 16 | 22 | | dB |
| Isolation | 5 - 1000 MHz | 25 | 27 | | dB |
| | 1000-1200MHz | 23 | 25 | | dB |

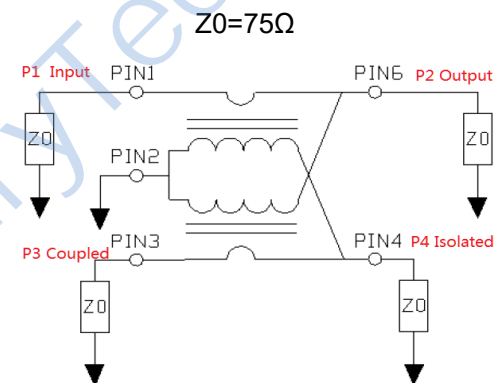
FUNCTIONAL SCHEMATIC



PIN CONFIGURATION

| Pin No. | Function |
|---------|---------------|
| 1 | Input |
| 2 | Ground |
| 3 | Coupled |
| 4 | Isolated |
| 5 | Not Connected |
| 6 | Output |

APPLICATION & TEST CIRCUIT



ABSOLUTE MAXIMUM RATINGS

| Parameter | Value |
|-----------------------------|-------------|
| Input RF Power | 250mW Max |
| DC Current | 30mA Max |
| Operating Temperature Range | -40 to 85°C |

Tel: +86-28-85589664

E-mail: mr_li@henglitaitech.com

Web: www.hltchips.com

Address: No.198 Tianqin East Street, Gaoxin West District, Chengdu City

TEST CURVE

