

規格承認書

PECIFICATION FOR APPROVAL

客戶

CUSTOMER : 立创

項目

ITEM : 超声波传感器

型號

TYPE : GU1812B-40TR

描述

DESCRIPTION : $\phi 18 \times H12\text{mm}$ $40 \pm 1.0\text{KHz}$ 双角度 $80 \pm 15\%$ 1800PF 插针 收发

客戶料號

CUSTOMER NO. :

規格書號

SPECIFICATION NO.:

版本

EDITION NO. : V1.0

日期

DATE : 2017-5-4

客戶承認

CUSTOMER CONFIRM AND SIGN

檢查 TESTED BY	審核 CHECKED BY	承認 APPROVED BY

東莞市贏海電子有限公司

DONGUAN INGHAI ELECTRONICS CO.,LTD

製作 ISSUED BY	審查 CHECKED BY	確認 APPROVED BY
周明	刘承成	

地址: 廣東省東莞市長安鎮上沙第五工业区新春 1 路新春科技园

電話 / TEL: 0769-83060958 傳真 / FAX: 0769-81608993

網址: [HTTP://WWW.INGHAI.COM](http://www.inghai.com)

A. Scope

This specification applies Ultrasonic sensor **GU1812B-40TR**

B. Characteristics

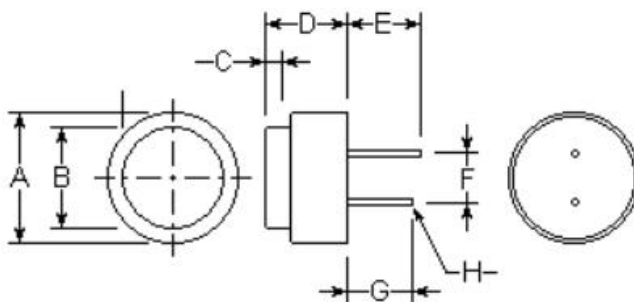
- 1.1) Open structure and separate use
- 1.2) Compact and light weight
- 1.3) High sensitivity and sound pressure
- 1.4) Less power consumption
- 1.5) High reliability



C. Technical terms

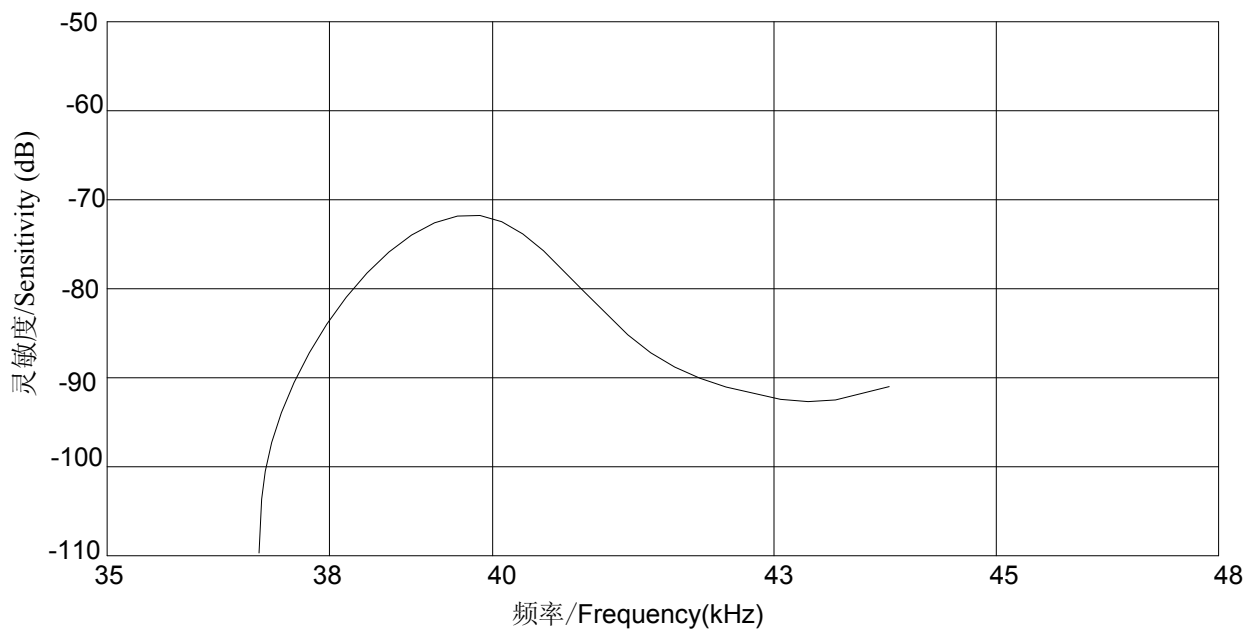
1	Center frequency(KHz)	40±1.0 KHz
2	S. P. L	≥105 dB
3	Echo Sensitivity	≥250 mV
4	Decay Time	≤1.2 ms
5	Directivity (deg) X-axis	80±15
6	Directivity (deg) Y-axis	60±15
7	Capacitance (pF)	1800±20%
8	Allowable Maximum Input Voltage(Vp-p)	120(40KHz) Pulse width 0.5ms, interval 20ms
9	Operating Temperature(°C)	-40~+80
10	Storage temperature(°C)	-40~+85

D. Drawing

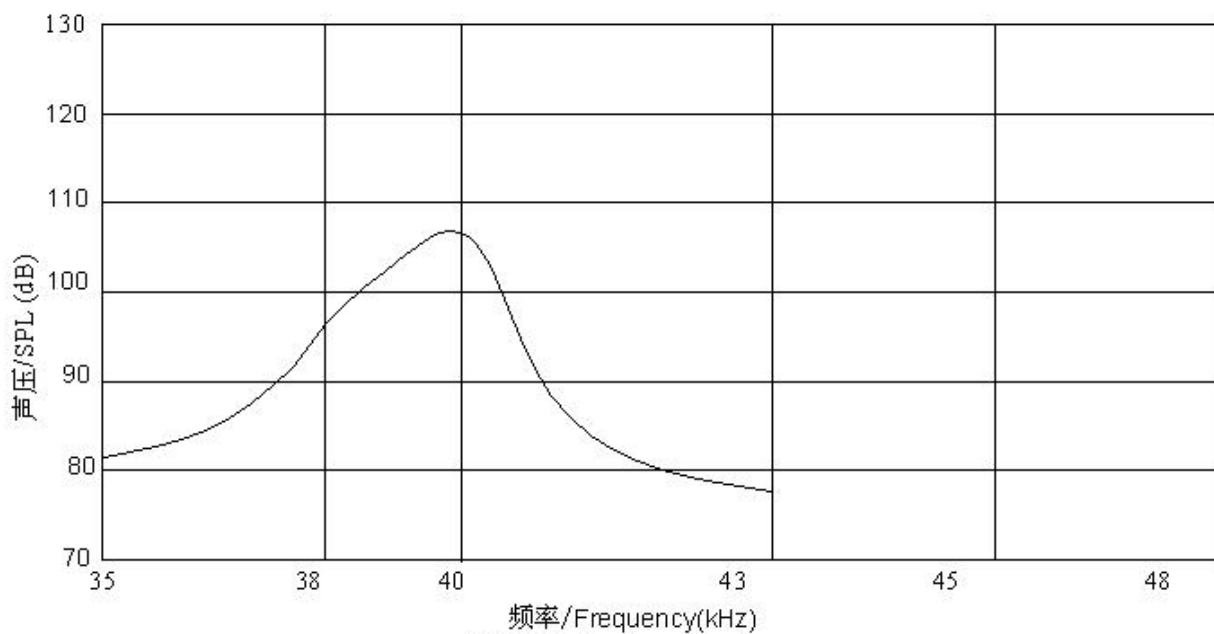


A	=	∅16.0±0.5
B	=	12.5±0.5
C	=	3.0±0.5
D	=	10.0±0.5
E	=	9.0±0.5
F	=	5.0±0.5
G	=	7.0±0.5
H	=	∅0.6±0.1

E. Beam Pattern



灵敏度-频率特性图/Sensitivity-Freq.Characteristics



声压-频率特性图/SPL-Freq.Characteristics



指向性/Directivity in Sensitivity

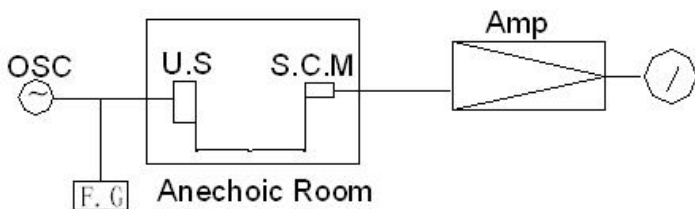
F. Test Circuit

Receiver



RL: $3.9K\Omega$
 U.S : Ultrasonic Sensor
 S.C.M: Standard Cappacitor Microphone
 Amp. : Amplifier
 OSC. : Oscillator
 Sp : Tweeter
 F.C : Frequency Counter

Transmitter



U.S : Ultrasonic Sensor
 S.C.M: Standard Cappacitor Microphone
 Amp. : Amplifier
 Input voltage: $10V_{rms}$
 F.C : Frequency Counter