

产品图片



技术参数

U型支架尺寸：长70x宽44x高24.5 (mm)

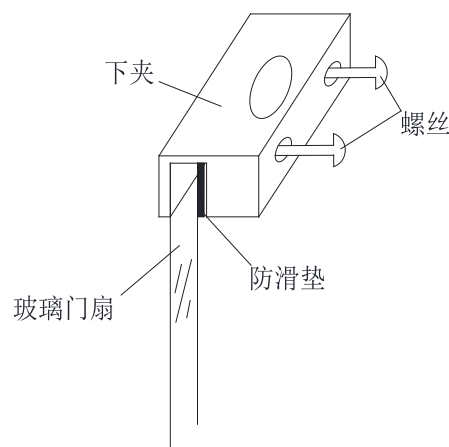
支架材料：硬质铝合金，表面喷漆处理

适用门型：下无框玻璃门

产品重量：0.15kg

安装步骤及示意图

1. 将锁体安装在门框上。
2. 调整U型支架对准锁孔后放入防滑垫，紧固螺丝。



Product Image



Specifications

Bracket size: 70x44x24.5mm (L*W*H)

Material: aluminium alloy with spray surface treatment

Door type: glass door without door frame

Weight: 0.15kg

Circuit Board Diagram

1. Install lock on the door frame;
2. Adjust the bracket to line up with the lock holes, put in the non-slip mat and fix the screws.

