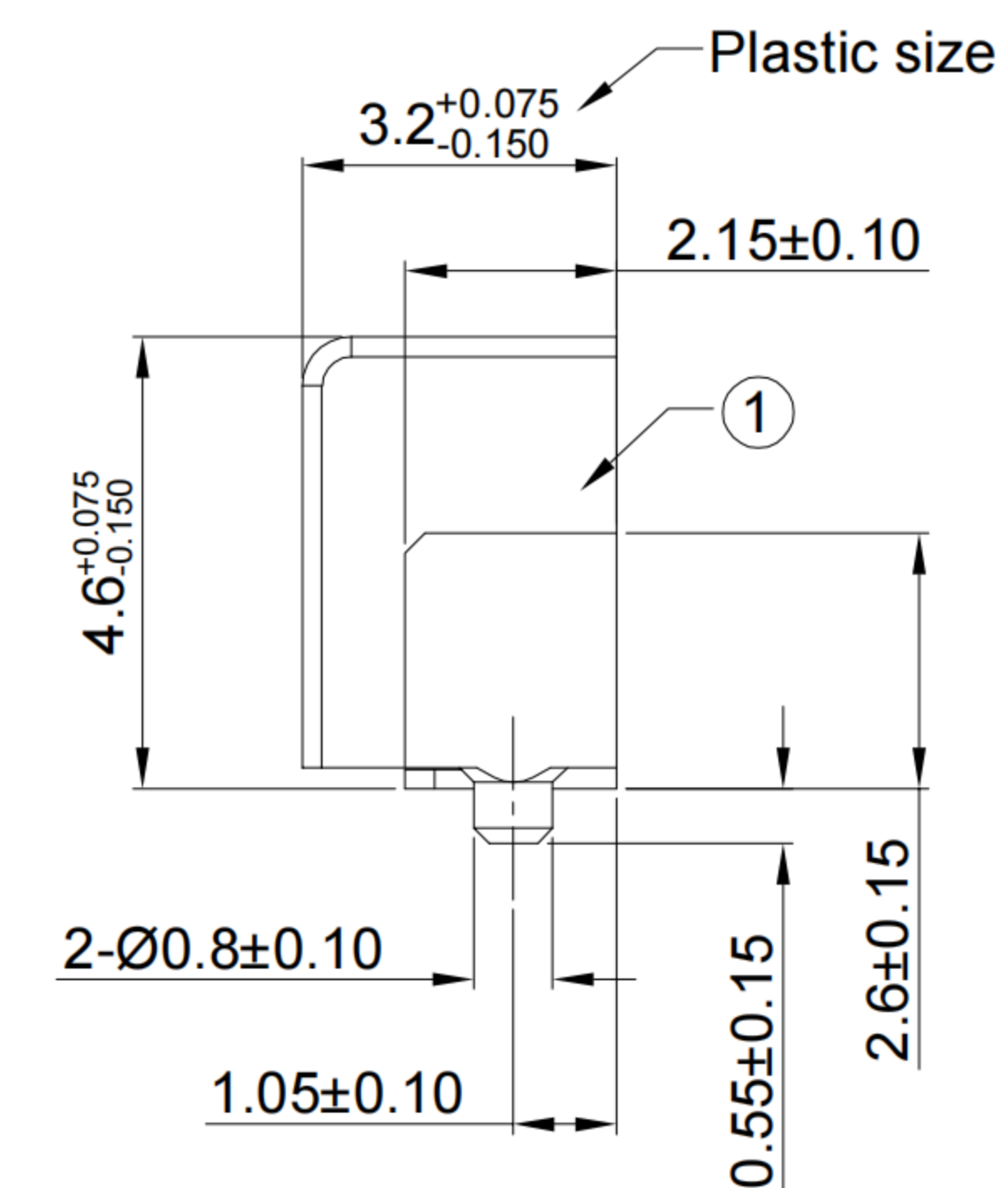
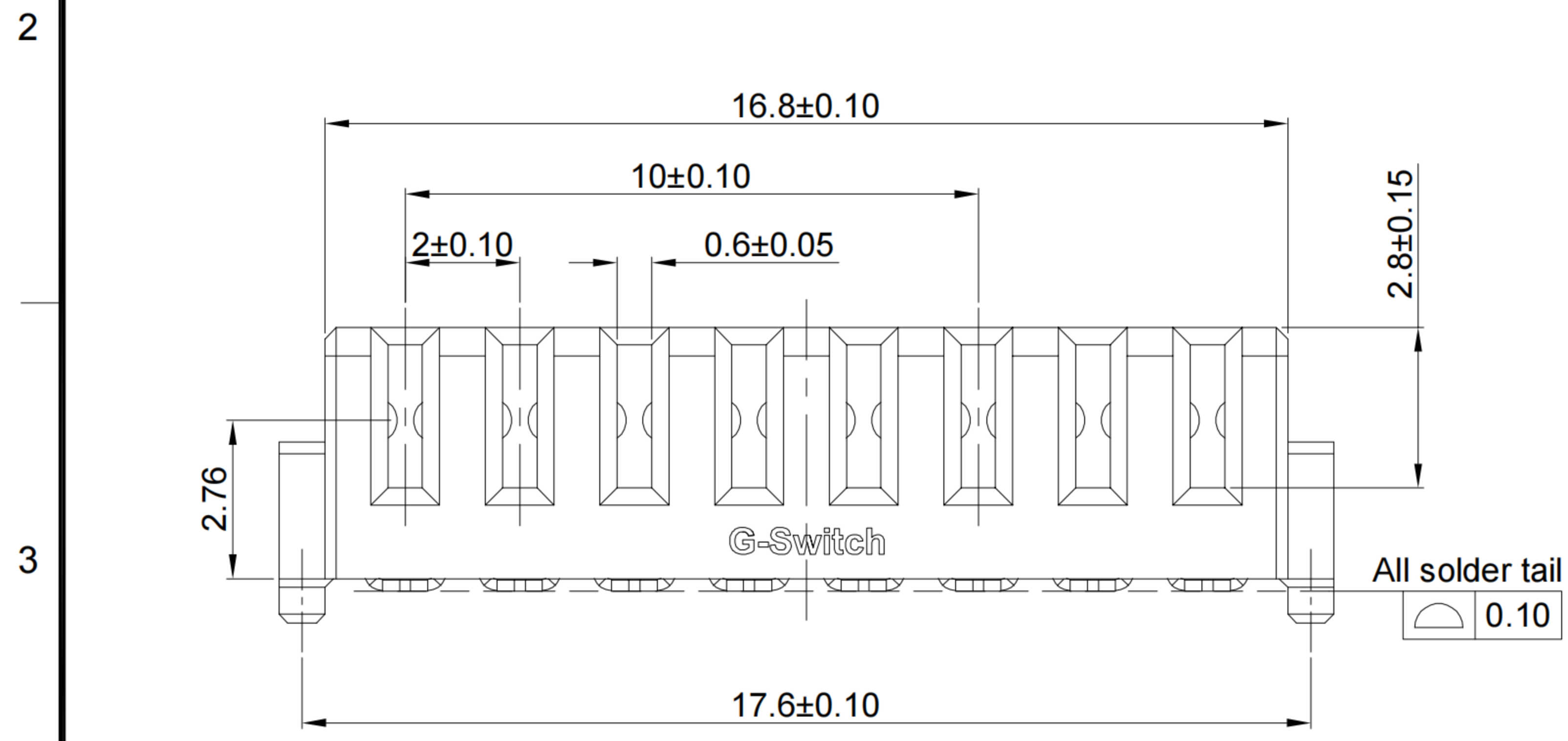
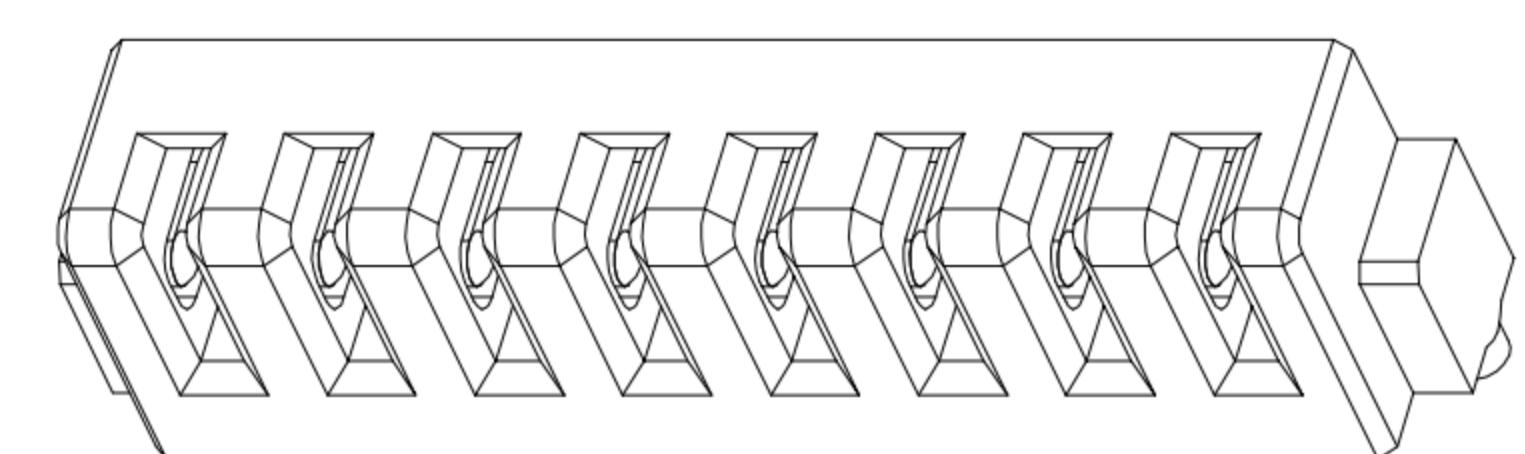
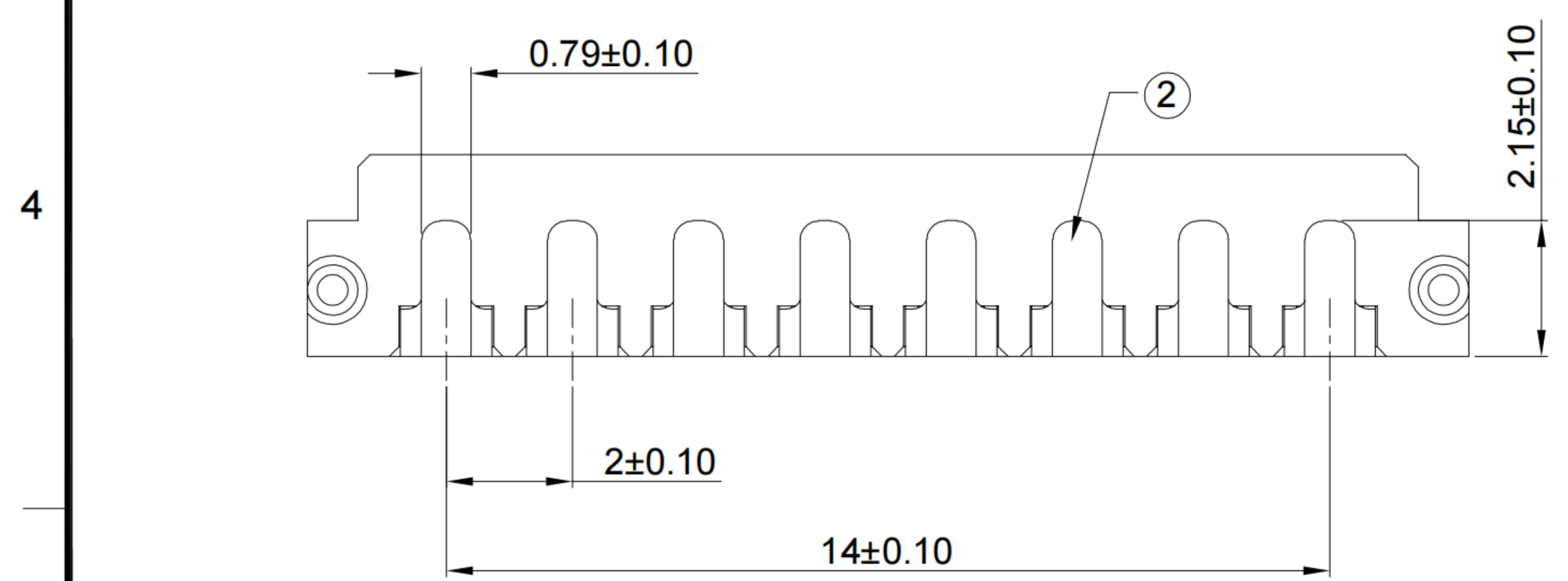


RECOMMENDED PCB LAYOUT  
TOLERANCE:±0.05



GT-BT R 200 08 0460 A - 004A

**G-Switch**  
Series: BT: Battery  
Type: R: Receptacle  
Pitch: 200=2.00  
Height: 0460=4.60  
Pin Q' PY: 08=8Pin  
Serial code  
Detail: A:With olumn, B:No olumn



**G-Switch Specification:**  
1.Current rating: 5A  
2.Rated Voltage: 20V DC  
3.Insulation resistance: 100MΩ min  
4.Contact resistance: 30mΩ max  
5.Dielectric strength: 500V AC  
6.Durability: 10,000cycles Min  
7.Operating temperature range: -40°C ~ +85°C

2	CONTACT	C5191	Au ON CONTACT AREA
1	HOUSING	PA10T	BLACK
NO.	PART NAME	MATERIAL	REMARK



SCALE: 1:1 UNIT: mm  
SIZE: A4  
Unless otherwise General Tolerance:  
X ±0.50  
X.x ±0.30  
X.xx ±0.20  
X.xxx ±0.10  
X° ±2°  
X.x° ±1°

Title: Horizontal Pitch2.0 8Pin Battery Conn  
SMT CH= 2.76 18.4×3.20×H4.60mm  
Molde Code: GT-BTR20008-0460A-004A  
DRAWN: Jiang  
CHECKED: Xia  
APPROVED: Chen  
DATE: 2023.12.28



REV: A0 SHEET: 1/1