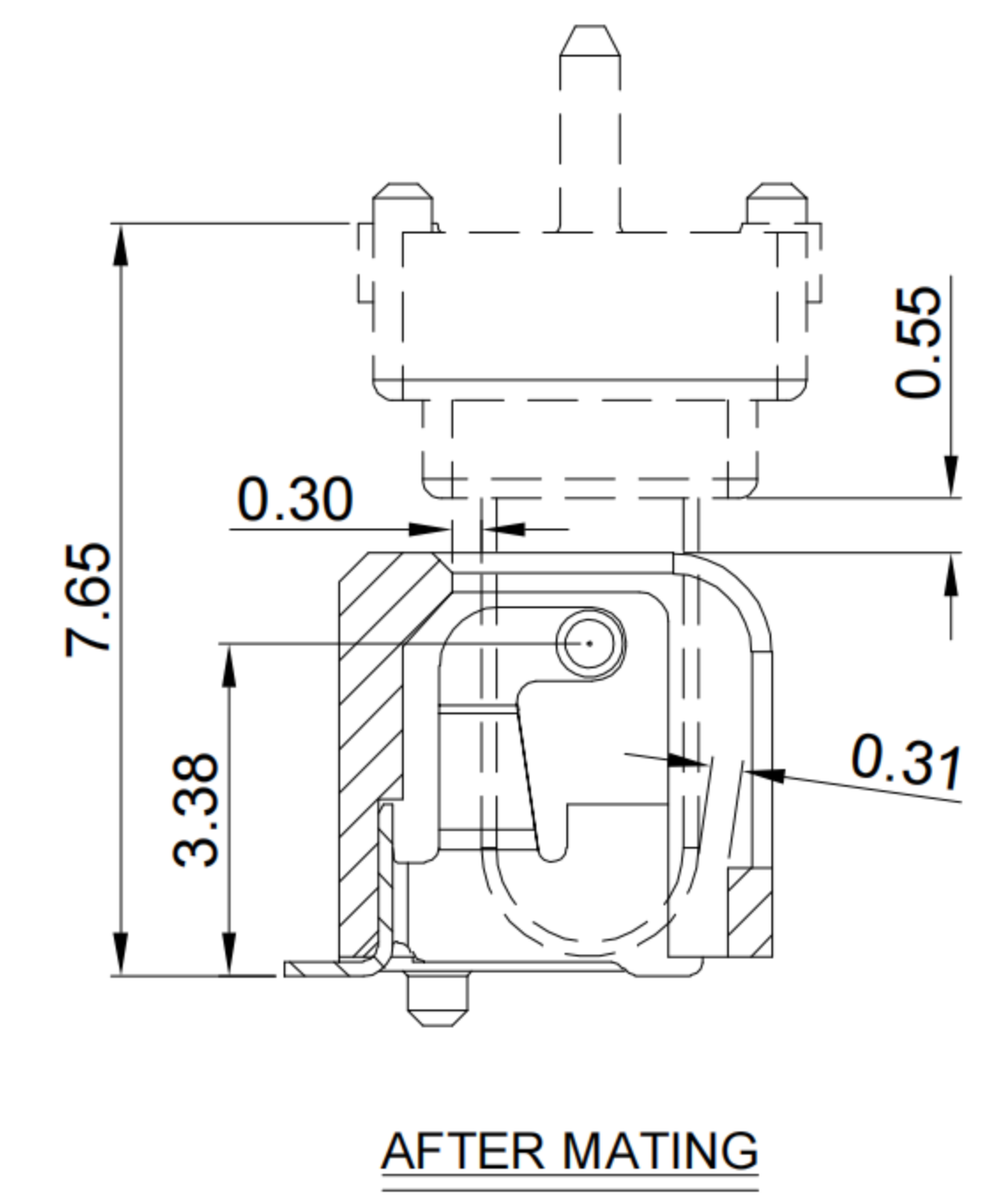
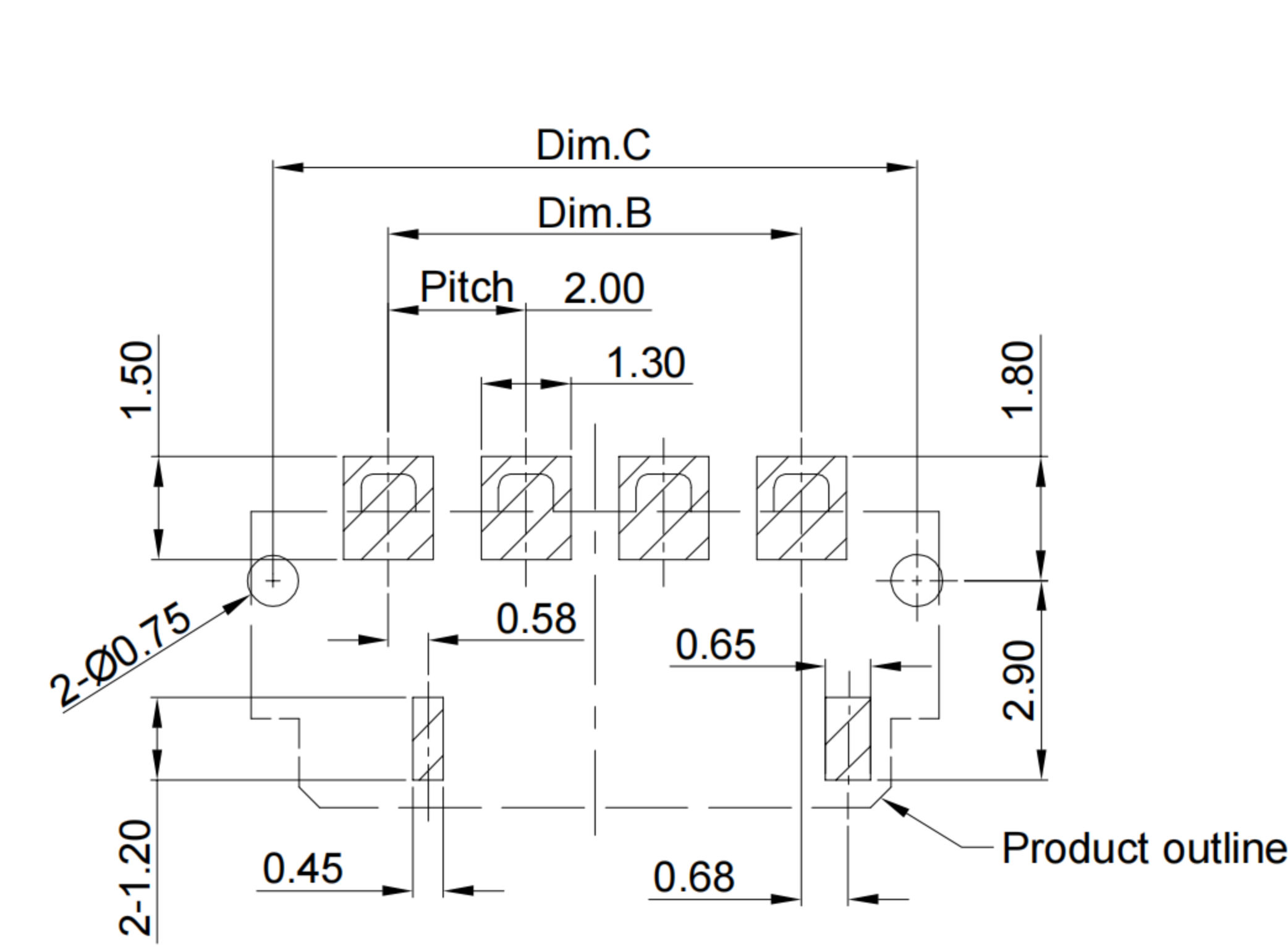
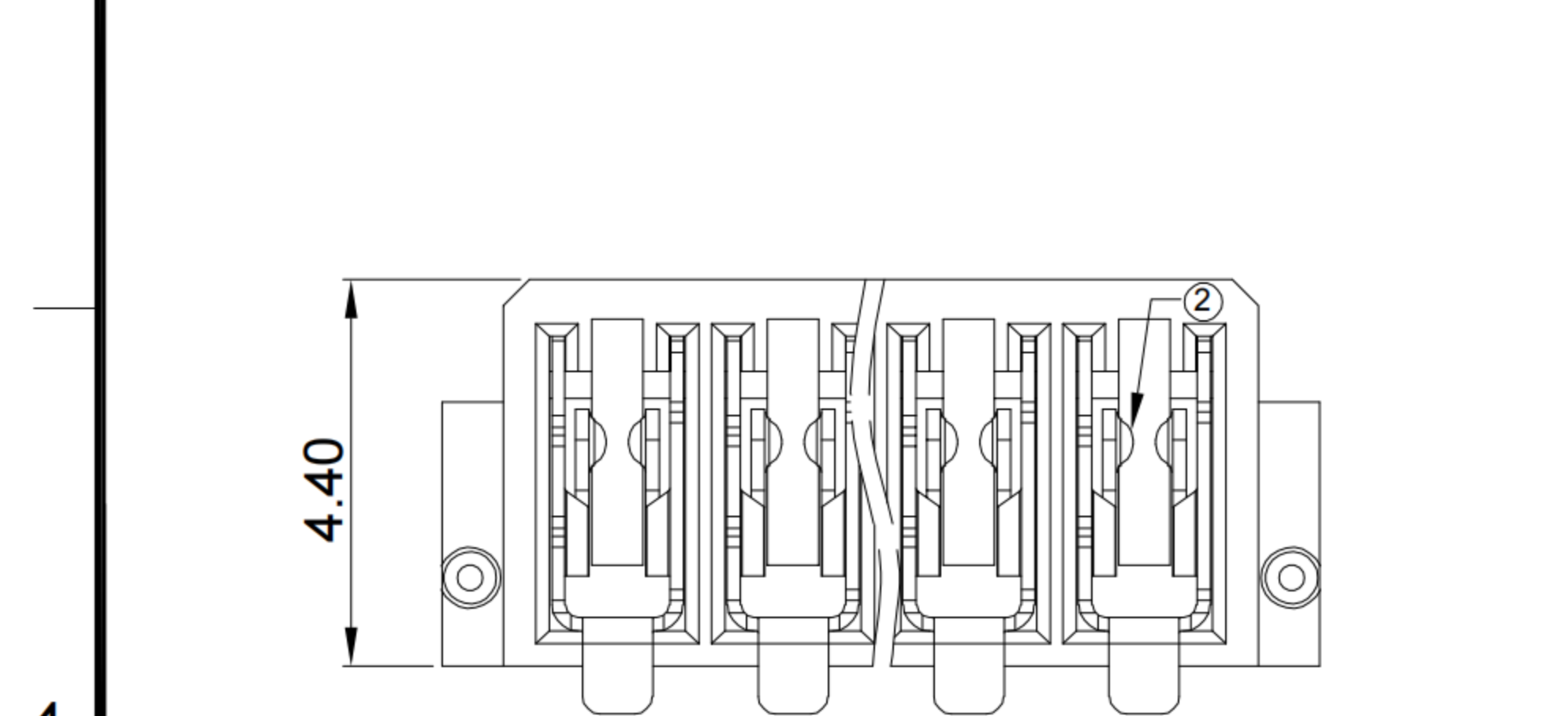
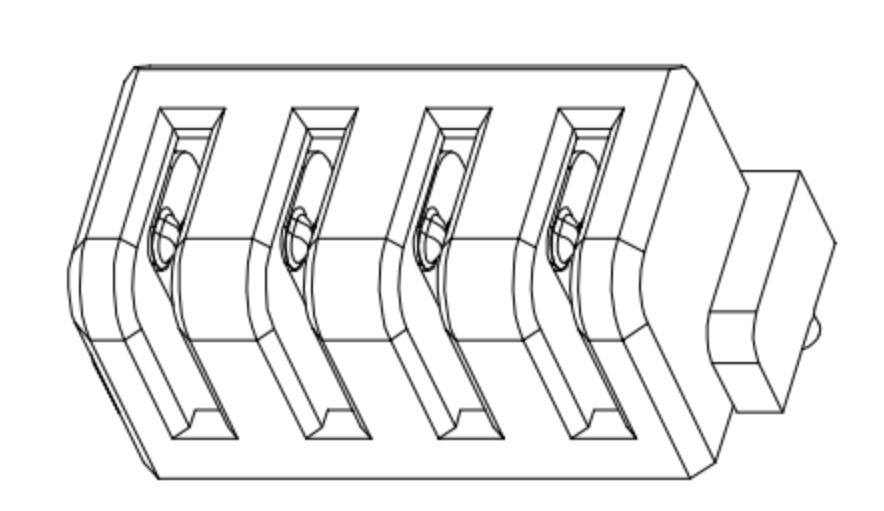
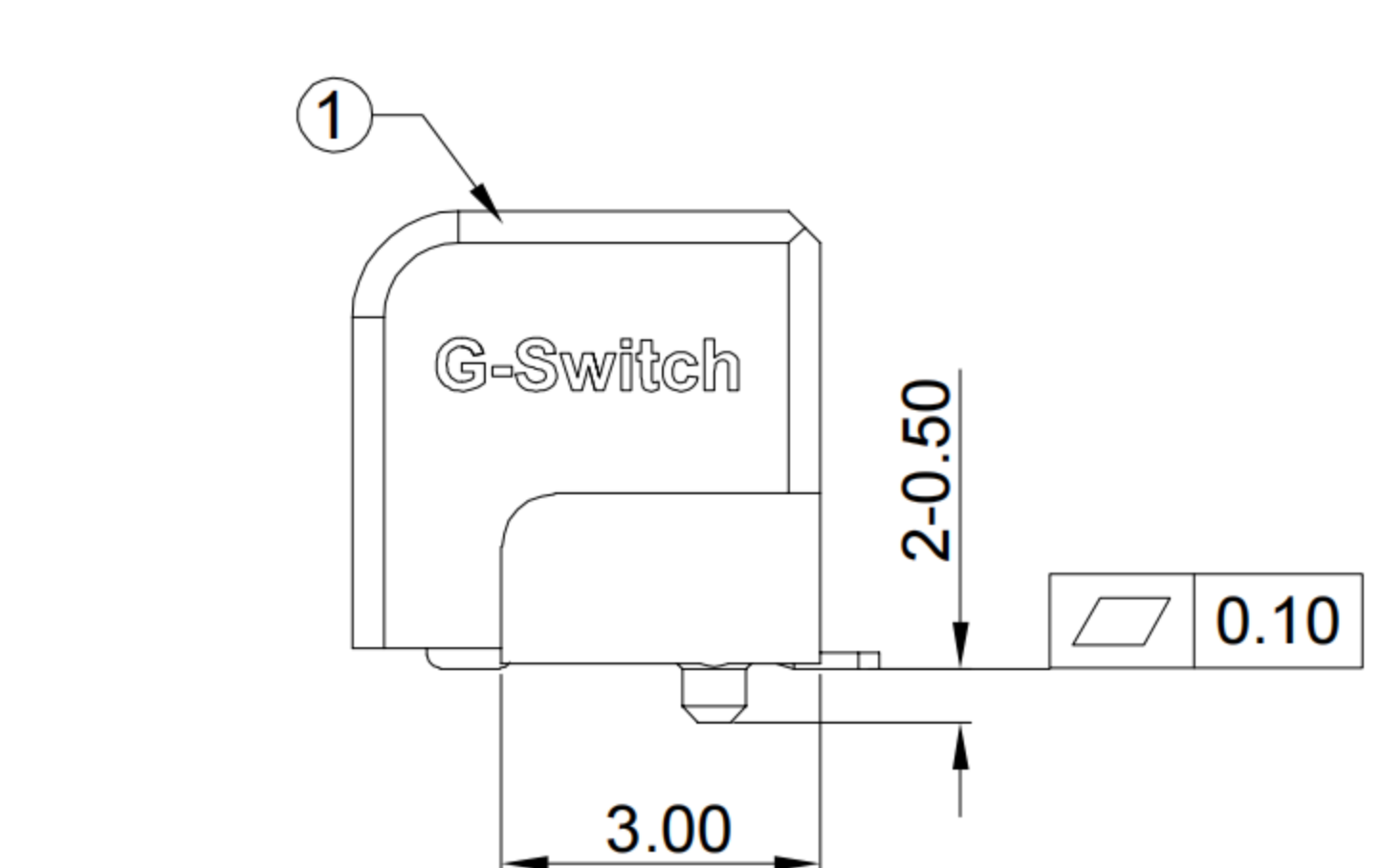
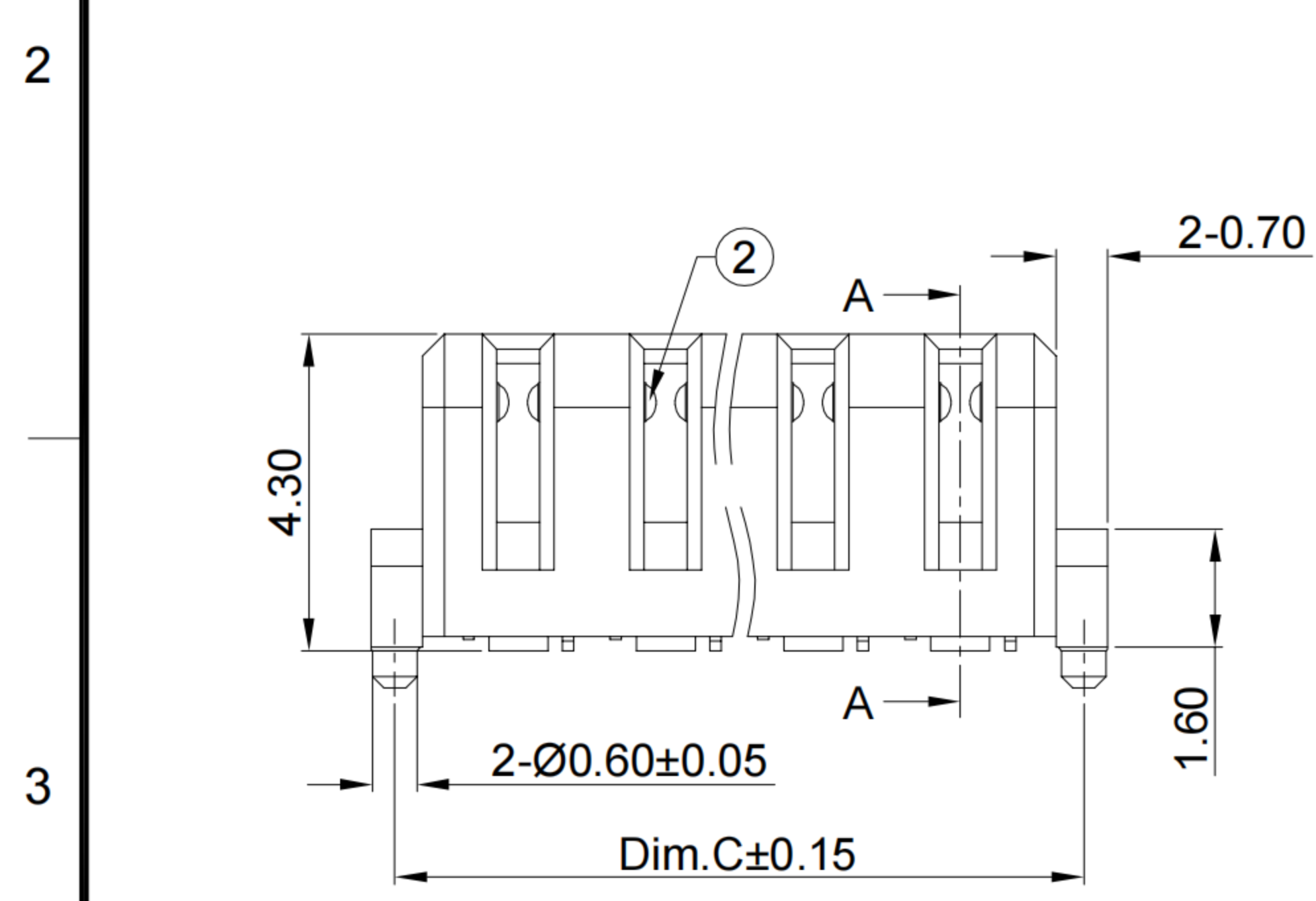


GT-BT R 200 XX 0430 A - 003A

G-Switch
Series
 BT: Battery
Type
 R: Receptacle
Pitch
 200=2.00

Serial code
Detail
 A:With olumn
 B:No olumn
Height
 0430=4.3
Pin Q'PY
 02=2Pin 08=8Pin
 03=3Pin 09=9Pin
 04=4Pin 10=10Pin
 05=5Pin 11=11Pin
 06=6Pin 12=12Pin
 07=7Pin



G-Switch Specification:
 1.Current rating: 4A
 2.Rated Voltage: 20V DC
 3.Insulation resistance: 100MΩ min
 4.Contact resistance: 30mΩ max
 5.Dielectric strength: 500V AC
 6.Durability: 10,000cycles Min
 7.Operating temperature range: -40°C ~ +85°C

Ordering Information:

Circuit	Dimensions(mm)		
	A	B	C
02	6.00	2.00	5.35
03	8.00	4.00	7.35
04	10.00	6.00	9.35
05	12.00	8.00	11.35
06	14.00	10.00	13.35
07	16.00	12.00	15.35
08	18.00	14.00	17.35
09	20.00	16.00	19.35
10	22.00	18.00	21.35
11	24.00	20.00	23.35
12	26.00	22.00	25.35

RECOMMENDED PCB LAYOUT
 TOLERANCE:±0.05



SCALE: 1:1 UNIT: mm
 SIZE: A4
 Unless otherwise
 General Tolerance:
 X ±0.50
 X.x ±0.30
 X.xx ±0.20
 X.xxx ±0.10
 X° ±2°
 X.x° ±1°

Title: Horizontal Pitch2.0 Battery Conn
 SMT CH=3.38 A×4.40×H4.3mm
 Molde Code: GT-BTR200XX-0430A-003A
 DRAWN: Jiang CHECKED: Xia APPROVED: Chen DATE: 2023.12.28

NO.	PART NAME	MATERIAL	REMARK
3	CAP	PA10T	BLACK
2	CONTACT	C5191	Au ON CONTACT AREA
1	HOUSING	PA10T	BLACK



REV: A0 SHEET: 1/1