

GT-BT R 200 XX - 0250 A - 005A

G-Switch

Series
BT: Battery

Type
R: Receptacle

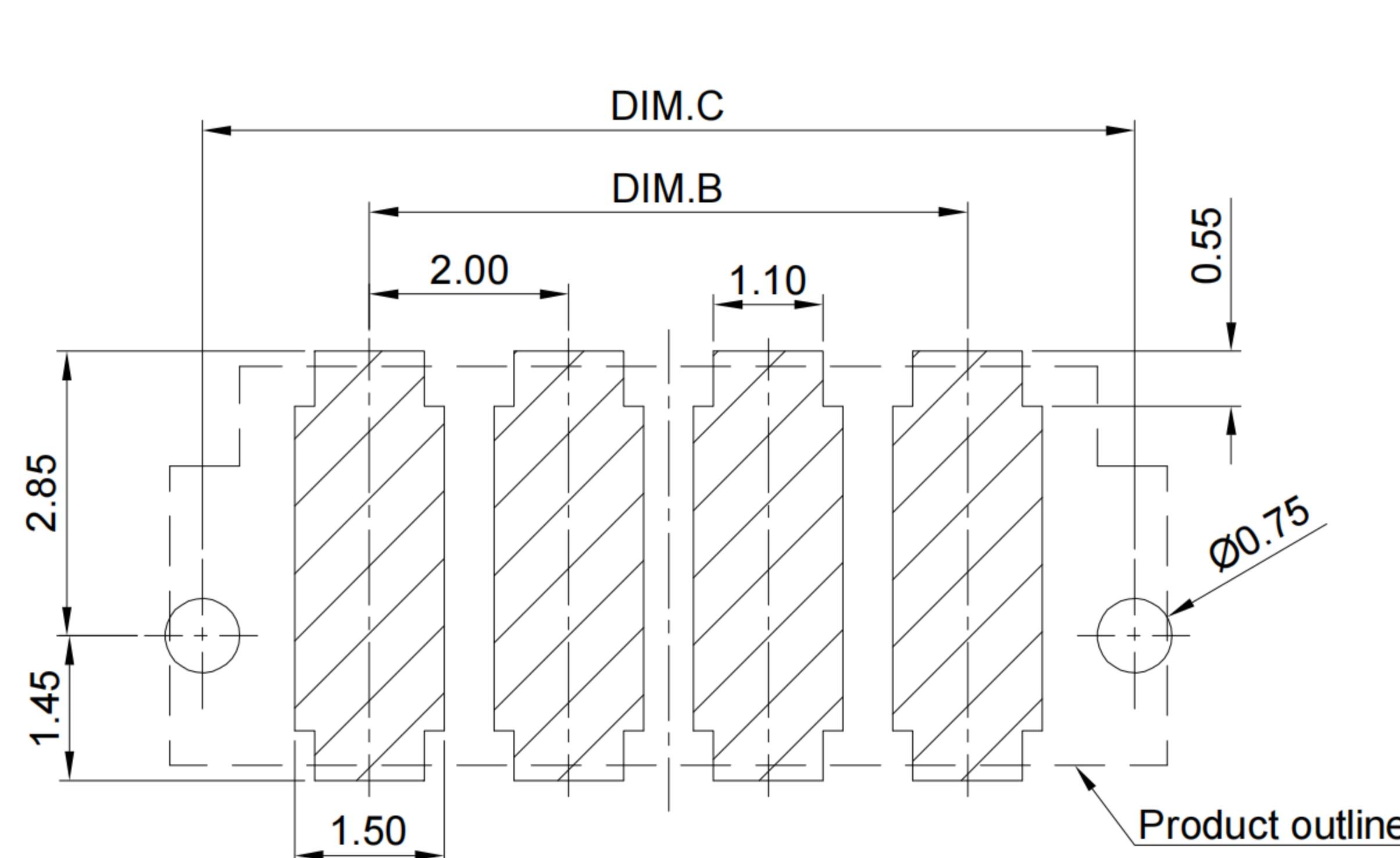
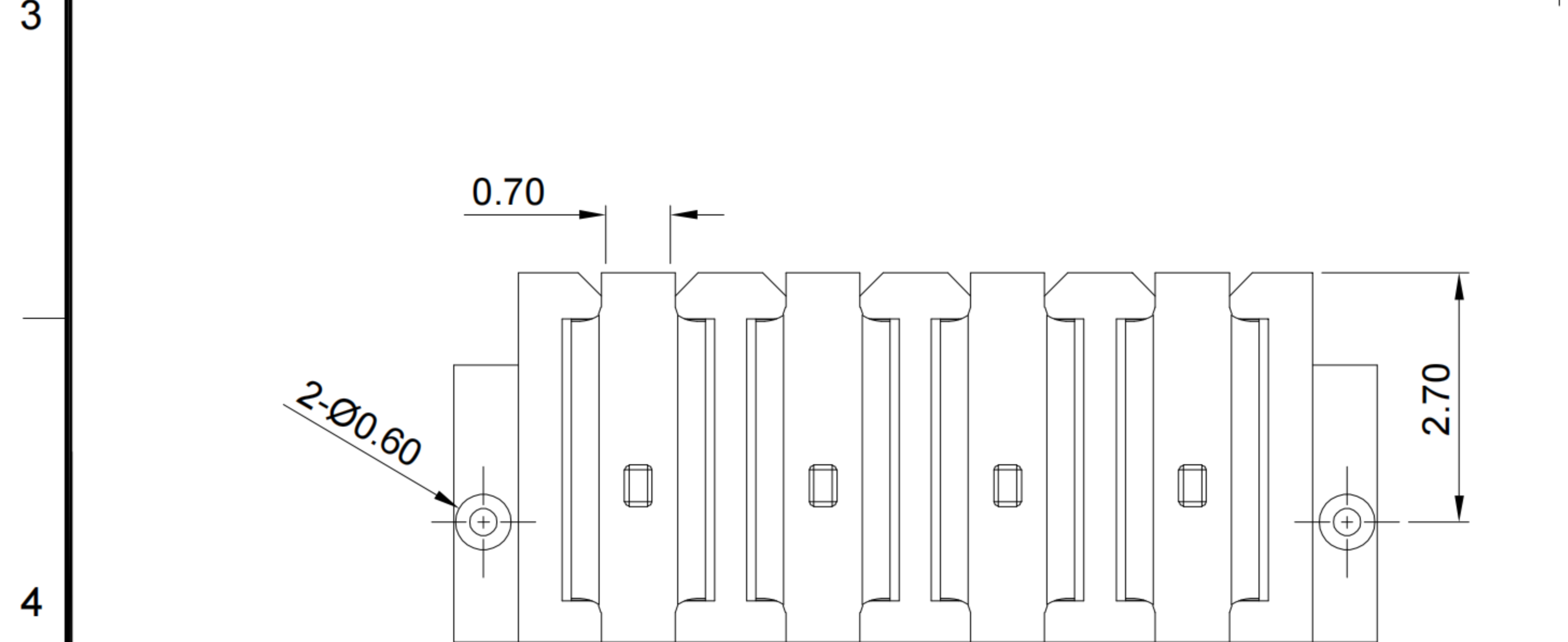
Serial code

Detail
A: With column
B: No column

Height
0250=2.50

Pitch
200=2.00

Pin Q' PY
02=2Pin 08=8Pin
03=3Pin 09=9Pin
04=4Pin 10=10Pin
05=5Pin 11=11Pin
06=6Pin 12=12Pin
07=7Pin



- G-Switch Specification:**
- 1.Current rating: 4A
 - 2.Rated Voltage: 20V DC
 - 3.Insulation resistance: 100MΩ min
 - 4.Contact resistance: 30mΩ max
 - 5.Dielectric strength: 500V RMS
 - 6.Durability: 10,000cycles
 - 7.Operating temperature range: -40°C ~ +85°C

Ordering Information:

Circuit	Dimensions(mm)		
	A	B	C
02	4.60	2.00	5.35
03	6.60	4.00	7.35
04	8.60	6.00	9.35
05	10.60	8.00	11.35
06	12.60	10.00	13.35
07	14.60	12.00	15.35
08	16.60	14.00	17.35
09	18.60	16.00	19.35
10	20.60	18.00	21.35
11	22.60	20.00	23.35
12	24.60	22.00	25.35

RECOMMENDED PCB LAYOUT
TOLERANCE:±0.05

NO.	PART NAME	MATERIAL	REMARK
2	CONTACT	C5191	GF ON CONTACT AREA
1	HOUSING	LCP	BLACK

SCALE: 1:1 UNIT: mm
SIZE: A4

Title: Horizontal Pitch2.0 Battery Conn
SMT CH=1.25 A×4.0×H2.5mm

Unless otherwise
General Tolerance:
X ±0.50
X.x ±0.30
X.xx ±0.20
X.xxx ±0.10
X° ±2°
X.x° ±1°

Molde Code: GT-BTR200XX-0250A-005A

DRAWN	CHECKED	APPROVED	DATE
Jiang	Xia	Chen	2023.12.28



REV: A0 SHEET: 1/1