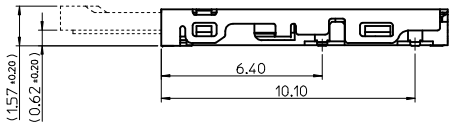
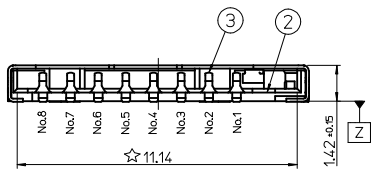
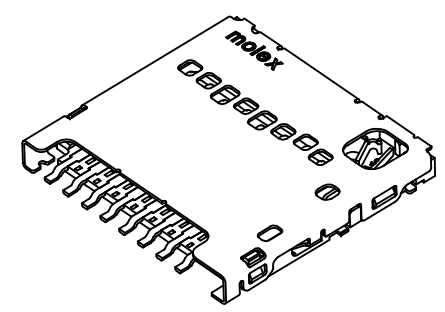
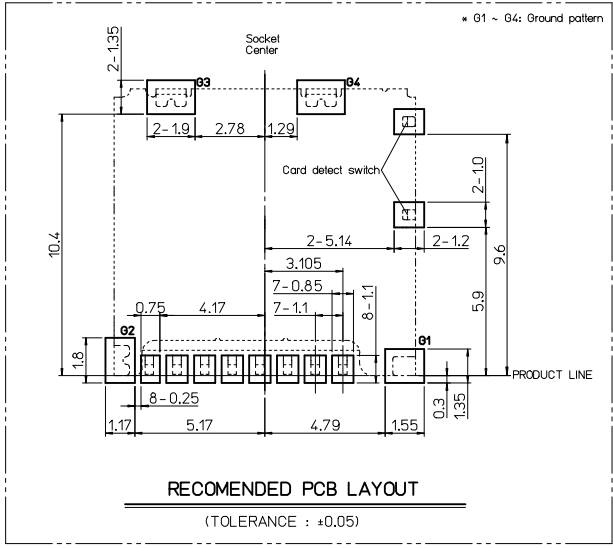
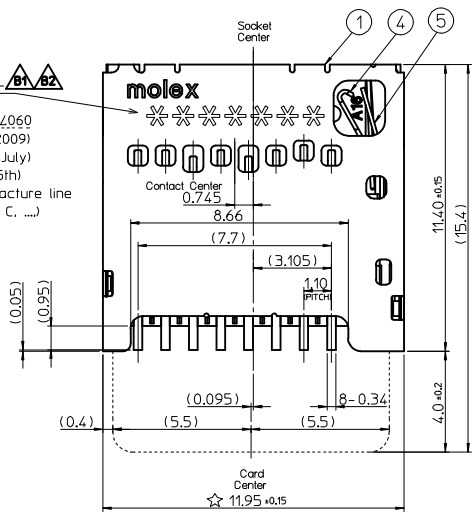


-DATE CODE- **B1, B2**
 example: Y5L060
 09 -> Year(2009)
 07 -> Month(July)
 15 -> Date(15th)
 A -> Manufacture line
 (A, B, C, ...)



NOTES

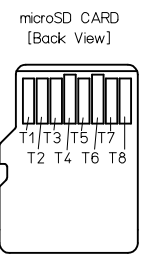
1. MATERIALS: SEE TABLE
2. FINISHES: SEE TABLE
3. PRODUCT SPECIFICATIONS: PS-104031-001
4. PACKING SPECIFICATIONS: PK-104031-001
5. COPLANARITY OF SOLDER TAILS: 0.1mm MAX.
 MISALIGNMENT OF SOLDER TAIL FROM 'Z'
 UPPER DIRECTION 0.05mm MAX., LOWER DIRECTION 0.1mm MAX.

Card insertion condition	Card detect switch	Circuit
Without Card	Open	
Card insertion	Close	

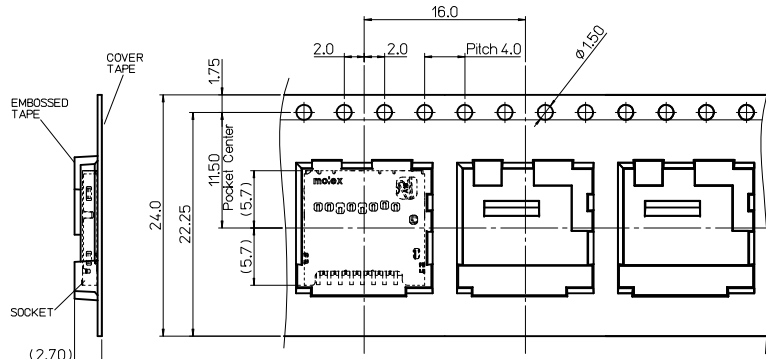
5	SWITCH TERMINAL	PHOSPHOR BRONZE	CONTACT: GOLD 0.1~0.34μm, SOLDER TAIL: GOLD 0.034μmMIN.	UNDER PLATED NICKEL 1~34μm
4	DETECT TERMINAL	PHOSPHOR BRONZE		
3	CONTACT TERMINALS	PHOSPHOR BRONZE	CONTACT: GOLD 0.2~0.54μm, SOLDER TAIL: GOLD 0.034μmMIN.	
2	HOUSING	LIQUID CRYSTAL POLYMER	BLACK COLOR, UL94V-0	
1	METAL SHELL	STAINLESS STEEL	NICKEL OVERALL : 1~34μm	
	MATERIAL NO.	PARTS NAME	FINISHES	

[microSD CARD PIN-MAP]

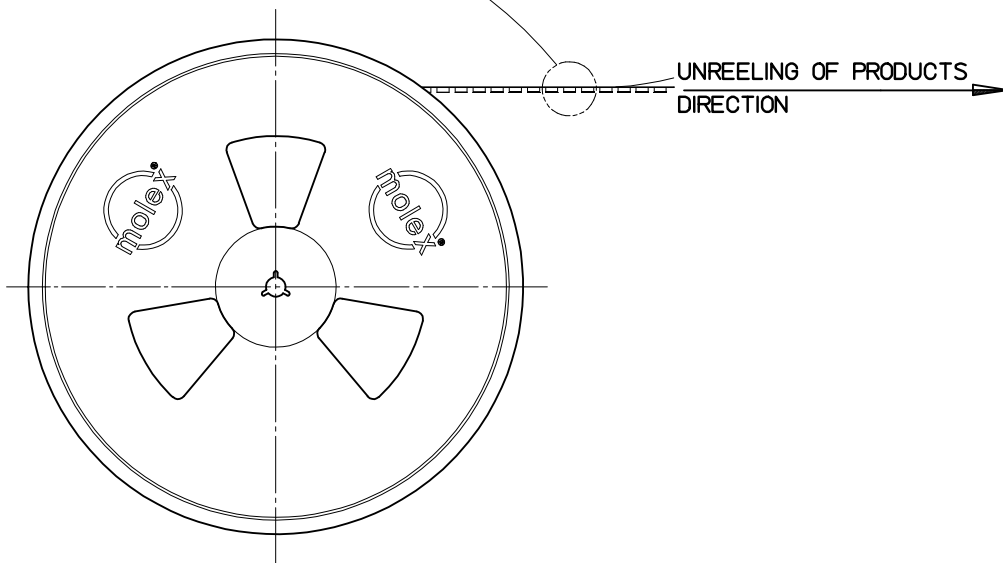
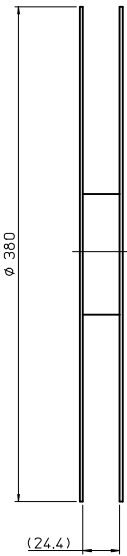
PIN NUMBER	DESCRIPTION
T1	DAT2
T2	CD/DAT3 ²
T3	CMD
T4	V _{DD}
T5	CLK
T6	V _{SS}
T7	DAT0
T8	DAT1



REVISED IEC NO: KOR2013-0028 DRWN: CYANG 2012/08/25 CHKD: APPR: YSK IM02 2012/09/04 REV	1040310811 MATERIAL NO.	104031-0811 ORDER NO.	NO.	PARTS NAME	MATERIALS	FINISHES	
	GENERAL TOLERANCES (UNLESS SPECIFIED)		DIMENSION STYLE MM ONLY	SCALE 5/1	DESIGN UNITS METRIC	THIRD ANGLE PROJECTION	
	QUALITY SYMBOLS ▽=0 ◻=0	4 PLACES ± --- ± --- 3 PLACES ± 0.1 ± --- 2 PLACES ± 0.1 ± --- 1 PLACE ± 0.2 ± ---	mm INCH	DRAWN BY I.C. YANG	DATE 2008.10.01	TITLE MICROSD CARD SOCKET PUSH-PULL 1.42H NORMAL TYPE	
	ANGULAR ± 1 °		DRAFT WHERE APPLICABLE MUST REMAIN WITHIN DIMENSIONS		APPROVED BY S.J. SEH	DATE 2008.10.02	MOLEX INCORPORATED
	SEE TABLE		MATERIAL NO.	DOCUMENT NO.		SHEET NO. 1 OF 2	

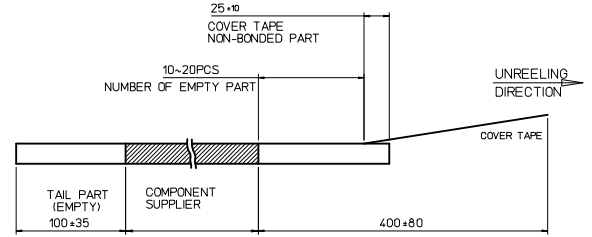


TOP VIEW OF EMBOSS TAPE

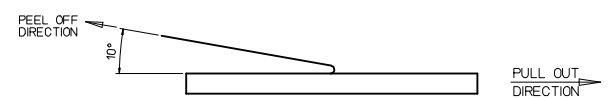


NOTES

1. QUANTITY OF PRODUCTS : 2,000 PCS / 1 REEL
2. LEAD LENGTH



3. PEELING OFF FORCE OF COVER TAPE : 0.1N~0.59N(10.2~60gf)
(PEELING DIRECTION AS BELOW)
- PEELING OFF SPEED : 300mm/Min.(Ref.)



REVISED EC NO: KOR2013-0028 DRWN: I.CYANG CHKD: APPR: YSKIM02 2012/08/25 2012/09/04	QUALITY SYMBOLS ▽=0 ◻=0	GENERAL TOLERANCES (UNLESS SPECIFIED)		DIMENSION STYLE MM ONLY		SCALE 2/1	DESIGN UNITS METRIC	THIRD ANGLE PROJECTION	
			mm	INCH	DRAWN BY	DATE	TITLE MICROSD CARD SOCKET PUSH-PULL 1.42H NORMAL TYPE MOLEX INCORPORATED		
		4 PLACES	± ---	± ---	IC.YANG	2008.10.01			
		3 PLACES	± 0.1	± ---	CHECKED BY	DATE			
2 PLACES	± 0.1	± ---	SH.CHU	2008.10.02					
			1 PLACE	± 0.2	± ---	APPROVED BY	DATE		
			ANGULAR ± 1 °			SJ.SEH	2008.10.02		
			DRAFT WHERE APPLICABLE MUST REMAIN WITHIN DIMENSIONS			MATERIAL NO.			
						SEE SHEET 1			
						SD-104031-001			
						DOCUMENT NO.			
						SHEET NO.			
						2 OF 2			