

H3-MACP-010447-CK0370

5-1200MHz 75Ω 20dB Coupler

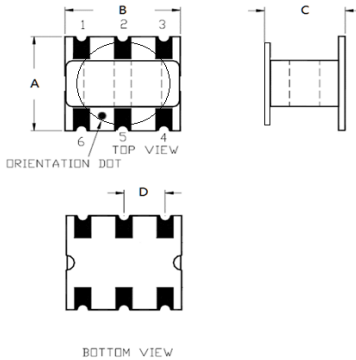
APPLICATIONS

• Ideally suited for CATV Broadband applications.

FEATURES

- Surface mount
- 20dB Coupler
- RoHS compliant and Pb free
- Available on tape and reel

DIMENSIONS

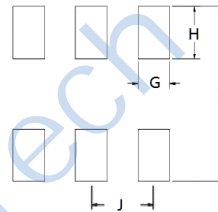


A	B	C
7.11	6.35	2.75
D	E	F
2.54	1.70	1.20

Unless otherwise stated dimensions are in mm

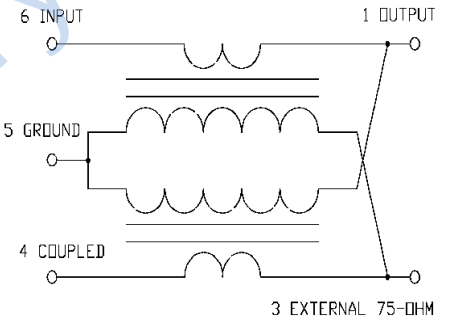
Tolerance: .xx ± 0.25, .xxx ± 0.05

Land Pattern



G	H	I
1.30	2.15	6.71
J		
2.54		

FUNCTIONAL SCHEMATIC



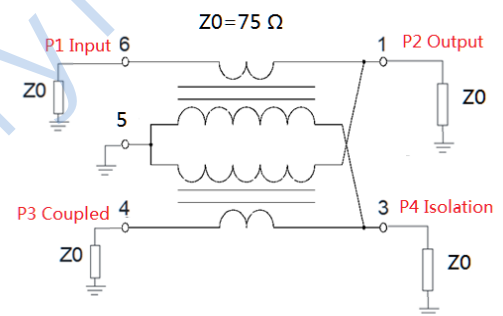
PIN CONFIGURATION

Pin No.	Function
1	Output
2	Not Connected
3	External 75 Ohm
4	Coupled
5	Ground
6	Input

ELECTRICAL SPECIFICATIONS@25°C:

Parameters (P#: ENA PORT)	frequency band	Min.	Typ.	Max.	Unit
Port Impedance, Z0(P1/P2/P3/P4)			75/75/75/75		Ohm
Coupling	5 - 870 MHz	19.2	20.0	20.8	Ohm
	870 - 1002 MHz	19.1	20.0	20.8	Ohm
	1002 - 1200 MHz	18.4	20.0	20.8	dB
Coupling Flatness	5 - 1002 MHz		0.8	0.9	dB
	1002 - 1200 MHz		0.9	1	dB
Main Line Loss	5 - 50 MHz		0.6	0.7	dB
	50 - 870 MHz		0.45	0.65	dB
	870 - 1002 MHz		0.6	0.7	dB
	1002 - 1200 MHz		0.6	0.85	dB
Input Return Loss	5 - 1002 MHz	20	25		dB
	1002 - 1200 MHz	19	24		dB
Output Return Loss	5 - 1002 MHz	20	25		dB
	1002 - 1200 MHz	19	24		dB
Coupled Return Loss	5 - 1200 MHz	20	25		dB
Directivity	5 - 200 MHz	17	24		dB
	200 - 870 MHz	9	15		dB
	870 - 1002 MHz	7	12		dB
	1002 - 1200 MHz	6	11		dB

APPLICATION & TEST CIRCUIT



ABSOLUTE MAXIMUM RATINGS

Parameter	Value
Input RF Power	250mW Max
DC Current	30mA Max
Operating Temperature Range	-40 to 95°C

Tel: +86-28-85589664

E-mail: mr_li@henglitaitech.com

Web: www.hltchips.com

Address: No.198 Tianqin East Street, Gaoxin West District, Chengdu City

TEST CURVE

