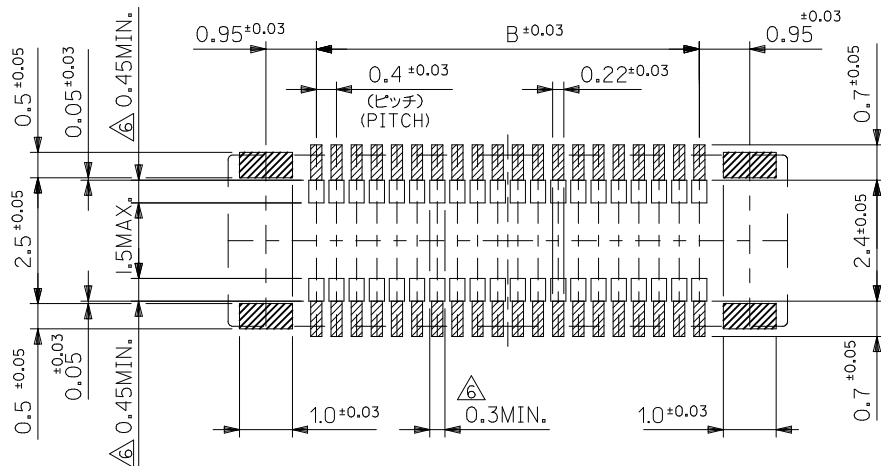


14.3	12.4	15.9	51338-6473	64
12.3	10.4	13.9	51338-5473	54
10.3	8.4	11.9	51338-4473	44
3.5	1.6	5.1	51338-9873	10
C	B	A	EMBOSSED TAPE PKG	極数
ORDER No. オーダー番号				CIRCUIT

REVISED EC NO: J2010-2586 DRWN: YON002 CHKD: S. MARUYAMA APPR: MSASAO	DESCRIPTION REV	GENERAL TOLERANCES (UNLESS SPECIFIED)		DIMENSION STYLE MM ONLY	SCALE ---	DESIGN UNITS METRIC	CONNECTOR SERIES No.: 51338-***9
		10 UNDER	±0.2	DRAWN BY Y. NUKANOBU	DATE 2010/01/25	TITLE	0.4 B-TO-B REC ASSY HGT=1.5 J-BEND TAIL
		10 OVER 30 UNDER	±0.25	CHECKED BY S. MARUYAMA	DATE 2010/01/25	MOLEX INCORPORATED	
		30 OVER	±0.3	APPROVED BY M. SASAO	DATE 2010/01/25		DOCUMENT NO. SD-51338-005
ANGULAR ±3 °		DRAFT WHERE APPLICABLE MUST REMAIN WITHIN DIMENSIONS		SIZE A3	THIS DRAWING CONTAINS INFORMATION THAT IS PROPRIETARY TO MOLEX INCORPORATED AND SHOULD NOT BE USED WITHOUT WRITTEN PERMISSION		

注記 NOTES:

- 使用材料 MATERIAL
 ハウジング: 液晶ポリマー (LCP) ガラス充填 UL94V-0 (黒)
 HOUSING: LIQUID CRYSTAL POLYMER (GLASS FILLED)
 UL94V-0 (COLOR: BLACK)
 ターミナル: リン青銅 (t=0.15)
 TERMINAL: PHOSPHOR BRONZE (t=0.15)
 金具: リン青銅 (t=0.15)
 FITTING NAIL: PHOSPHOR BRONZE (t=0.15)
 - メッキ仕様 PLATING
 ターミナル TERMINAL
 金メッキ 0.2マイクロメートル以上 (コンタクト部)
 GOLD 0.2MICROMETER MINIMUM (CONTACT AREA)
 金メッキ 0.4マイクロメートル以下 (テール部)
 GOLD 0.4MICROMETER MAXIMUM (TAIL AREA)
 下地メッキ: ニッケルメッキ 1.5マイクロメートル以上
 UNDER PLATING: NICKEL 1.5MICROMETER MINIMUM
 *コンタクト部とテール部はニッケルメッキによって分断されている金メッキです。
 DIVIDE INTO PARTS THE GOLD PLATING OF THE CONTACT AND THE TAIL PART BY THE NICKEL PLATING.
 金具 FITTING NAIL
 錫メッキ 1.0 マイクロメートル以上
 TIN PLATING 1.0 MICROMETER MINIMUM
 下地メッキ: ニッケルメッキ 1.0 マイクロメートル以上
 UNDER PLATING: NICKEL 1.0 MICROMETER MINIMUM
- ③ (全極数/2) = 偶数の場合に適用。
 APPLY FOR (CIRCUIT/2) = EVEN.
- 嵌合相手: 55909シリーズ
 MATE WITH: 55909 SERIES.
 - テール平坦度は、0.08以下
 テール及び金具の平坦度は、0.1以下
 TAIL COPLANARITY TO BE 0.08 MAXIMUM
 TAIL AND FITTING NAIL COPLANARITY TO BE 0.1 MAXIMUM
 - ④ 同一回路以外のパターン書込み禁止範囲を示す。
 NO PRINT CIRCUIT AREA OTHER THAN THE SAME CIRCUIT.
 - 本製品は 51338-***3 の鉛フリー品である。
 THIS PRODUCT IS LEAD FREE OF 51338-***3.
 - ELV及びRoHS適合品
 ELV AND RoHS COMPLIANT

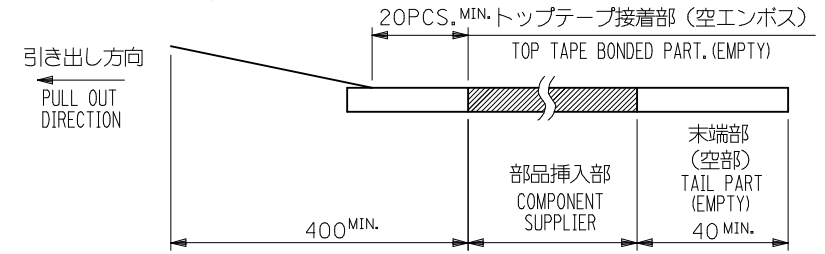


参考基板レイアウト (マウント面)
 P.W.BOARD PATTERN DIMENSION (REFERENCE)
 (MOUNTING AREA)

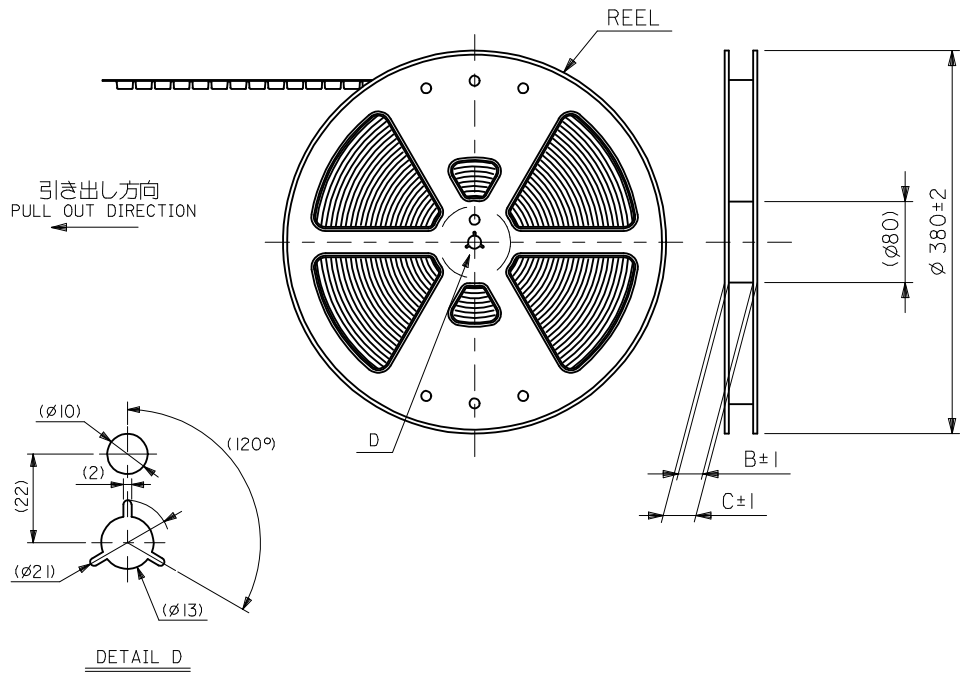
REVISED EC NO: J2010-2586 DRWN: YON002 CHKD: S. MARUYAMA APPR: MSASAO	DESCRIPTION REV	GENERAL TOLERANCES (UNLESS SPECIFIED)		DIMENSION STYLE MM ONLY	SCALE ---	CONNECTOR SERIES No.: 51338-***9
		10 UNDER	± 0.2	DRAWN BY Y. NUKANOBU	DATE 2010/01/25	DESIGN UNITS METRIC
		10 OVER 30 UNDER	± 0.25	CHECKED BY S. MARUYAMA	DATE 2010/01/25	THIRD ANGLE PROJECTION
		30 OVER	± 0.3	APPROVED BY M. SASAO	DATE 2010/01/25	TITLE 0.4 B-TO-B REC ASSY HGT=1.5 J-BEND TAIL
		ANGULAR ± 3 °	DRAFT WHERE APPLICABLE MUST REMAIN WITHIN DIMENSIONS	MATERIAL NO. SEE SHEET 1	DOCUMENT NO. SD-51338-005	MOLEX INCORPORATED
				SIZE A3	THIS DRAWING CONTAINS INFORMATION THAT IS PROPRIETARY TO MOLEX INCORPORATED AND SHOULD NOT BE USED WITHOUT WRITTEN PERMISSION	

NOTES

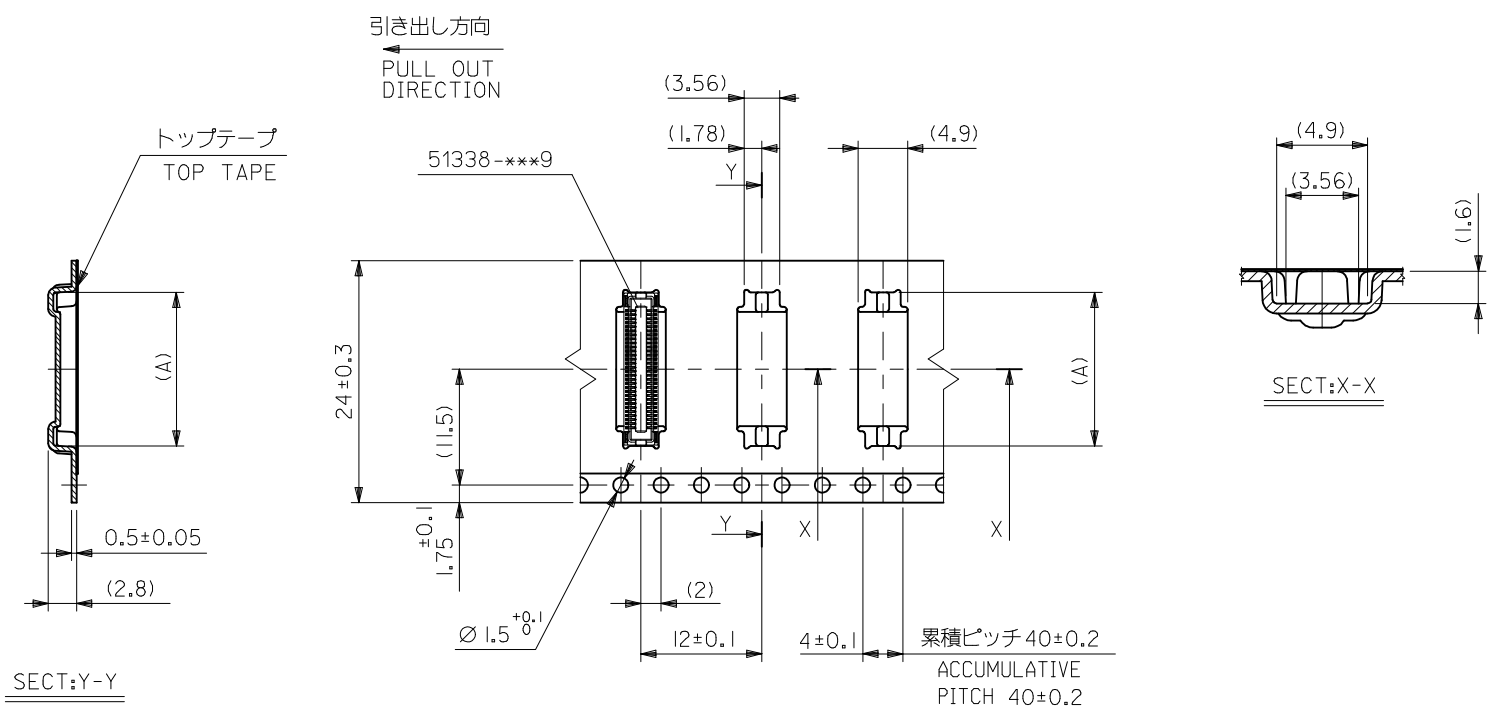
- 製品詳細寸法については、SD-51338-005 を参照下さい。
RE DETAILED DIMENSION, SEE PRODUCT DRAWING SD-51338-005.
- 梱包数量：2500個/リール
NUMBER OF CONNECTORS : 2500PCS/REEL
- リードテープ長さ LEAD TAPE LENGTH



- 4.材料
 キャリアテープ : PS
 トップテープ : PS, OTHER
 リール : PS<リサイクル材を含む>
- MATERIAL
 CARRIER TAPE : PS
 TOP TAPE : PS, OTHER
 REEL : PS <RECYCLE MATERIAL CONTAINED>
- 5.ELV 及び RoHS 適合品。
 ELV AND RoHS COMPLIANT.



REVISED EC NO.: J2015-0987 DRWN:KMIYAHARA 2015/01/27 CHKD:KTAKAKO3 2015/09/07 APPR:KMORIKAWA 2015/09/11	DESCRIPTION A	GENERAL TOLERANCES (UNLESS SPECIFIED)		DIMENSION STYLE MM ONLY		51338-**73		MODEL NO.			
		0.25 UNDER	UNDER	±0.03	DRAWN BY	DATE	SCALE	DESIGN UNITS	THIRD ANGLE PROJECTION		
		0.25 OVER	0.5 UNDER	±0.05	YON002	2010/06/23	---	METRIC	TITLE 0.4 B-TO-B CONN. REC HSG ASSY(HGT=1.5) EMBSTP PKG		
		0.5 OVER	1.0 UNDER	±0.1	CHECKED BY	DATE	<div style="text-align: center;">molex</div> DOCUMENT NO. SD-51338-006 SHEET NO. 1 OF 2				
		1.0 OVER	30 UNDER	±0.2	APPROVED BY	DATE					
10 OVER	30 UNDER	±0.25	MSASAO	2010/06/29	SEE CHART						
30 OVER		±0.3	MATERIAL NO.		THIS DRAWING CONTAINS INFORMATION THAT IS PROPRIETARY TO MOLEX INCORPORATED AND SHOULD NOT BE USED WITHOUT WRITTEN PERMISSION						
ANGULAR ±3 °		DRAFT WHERE APPLICABLE MUST REMAIN WITHIN DIMENSIONS		SIZE A3							



24mm幅キャリアテープ
24mm WIDTH CARRIER TAPE

注記) 製品がポケット内に問題なく納まること。
NOTE. Pocket should contain product smoothly.

24	29.4	25.4	16.06	51338-6473	64
			14.06	51338-5473	54
			12.06	51338-4473	44
			5.26	51338-9873	10
キャリアテープ幅 CARRIER TAPE WIDTH	C	B	(A)	オーダー番号 ORDER NO.	極数 CIRCUITS

REVISED EC NO.: J2015-0987 DRWN:KMIYAHARA 2015/01/27 CHKD:KTANAKA03 2015/09/07 APPR:KMORIKAWA 2015/09/11	DESCRIPTION A	GENERAL TOLERANCES (UNLESS SPECIFIED)			DIMENSION STYLE MM ONLY		SCALE ---		DESIGN UNITS METRIC		MODEL NO. 51338-***73	
		0.25 UNDER	UNDER	±0.03	DRAWN BY YON002	DATE 2010/06/23	TITLE 0.4 B-TO-B CONN. REC HSG ASSY(HGT=1.5) EMBSTP PKG					
		0.25 OVER	0.5 UNDER	±0.05	CHECKED BY	DATE						
		0.5 OVER	1.0 UNDER	±0.1	APPROVED BY MSASAO	DATE 2010/06/29						
		1.0 OVER	10 UNDER	±0.2	MATERIAL NO.	DOCUMENT NO.						
		10 OVER	30 UNDER	±0.25	SEE CHART							
30 OVER		±0.3	DRAFT WHERE APPLICABLE MUST REMAIN WITHIN DIMENSIONS			THIS DRAWING CONTAINS INFORMATION THAT IS PROPRIETARY TO MOLEX INCORPORATED AND SHOULD NOT BE USED WITHOUT WRITTEN PERMISSION						
ANGULAR ±3 °												