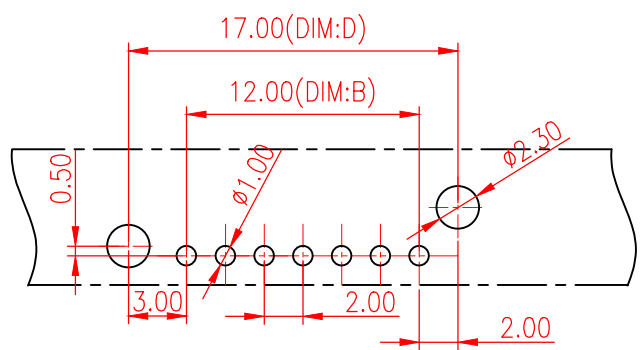
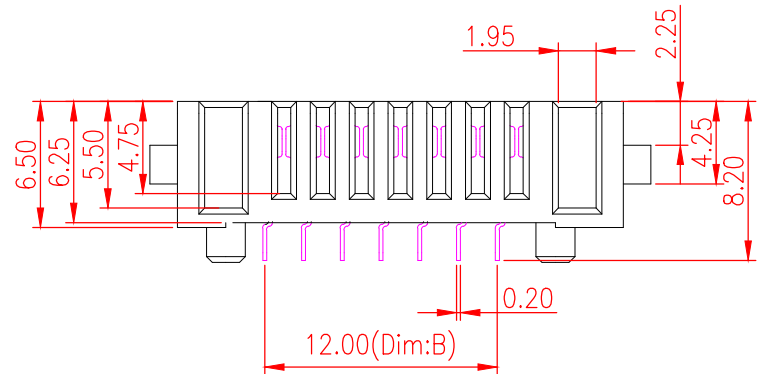
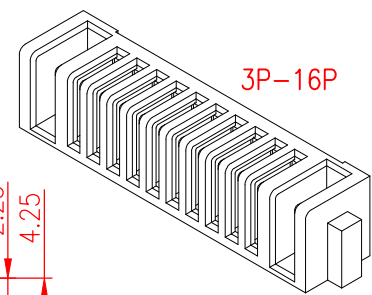
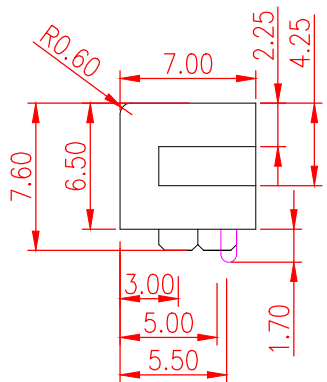
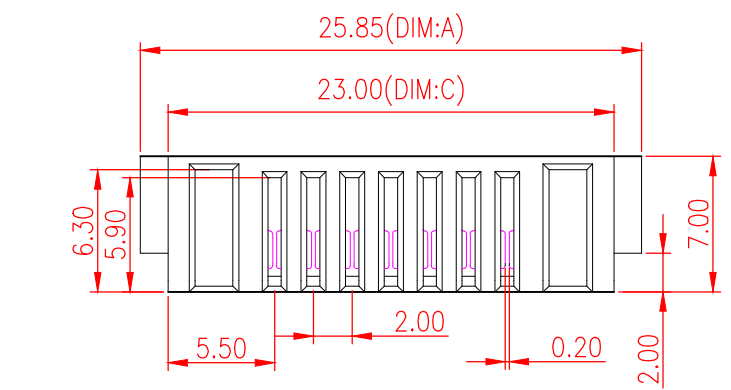
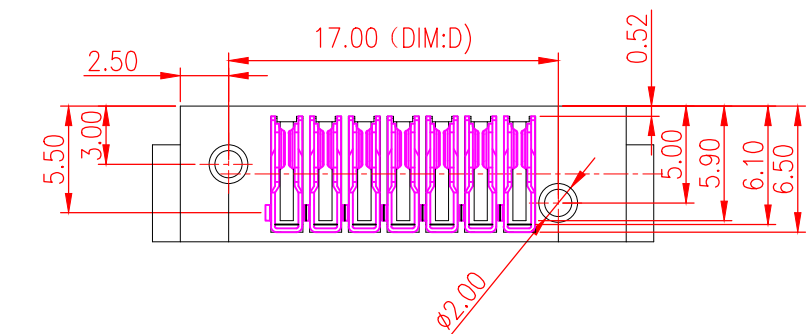


3P-16P



Recommended P.C.B Lavout



No.of Pins	Dimension			
	DIM.A	DIM.B	DIM.C	DIM.D
03	17.85	4.00	15.00	9.00
04	19.85	6.00	17.00	11.00
05	21.85	8.00	19.00	13.00
06	23.85	10.00	21.00	15.00
07	25.85	12.00	23.00	17.00
08	27.85	14.00	25.00	19.00
09	29.85	16.00	27.00	21.00
10	31.85	18.00	29.00	23.00
11	33.85	20.00	31.00	25.00
12	35.85	22.00	33.00	27.00
13	37.85	24.00	35.00	29.00
14	39.85	26.00	37.00	31.00
15	41.85	28.00	39.00	33.00
16	43.85	30.00	41.00	35.00

Material  
 Insulator : Nylon 9T (UL94V-0)  
 Contact : Phosphor Bronze  
 Contact Plated : Gold over Nickel or Tin  
 Specification  
 Current Rating : 5A  
 Instant Current : 7A  
 Contact Resistance : 30mΩ  
 Insulation Resistance : 100MΩ  
 Dielectric Voltage : 500V  
 Operating Temperature : -40~105°

深圳市金航标电子有限公司  
 SHENZHEN KINGHELM ELECTRON CO., LTD.

www.kinghelm.com.cn

0755-28190160

DESIGN	X. Z. Huang	SCALE	2:1	
DRAWING	X. Z. Huang	UNIT	mm	
CHECK	X. X. Zheng	SIZE	A4:210:297	
APPROVAL	M. Y. Li	VER.	01	

TOLERANCE	PART NAME	CONNECTOR
X ±0.2	PART NO.	KH-A01F-H1-A系列
X.X ±0.3	DWG. NO.	
X.XX ±0.5	DATE	
ANGLE ±3°		