

MSKSEMI 美森科

SEMICONDUCTOR



ESD



TVS



TSS



MOV



GDT



PLED

MAX811

产品手册

产品简介

MAX811X 系列是一款具有电压检测功能的微处理器复位芯片,它带有使能控制端,用于监控微控制器或其他逻辑系统的电源电压。

它可以在上电掉电和节电情况下,或在电源电压低于预设的检测电压 V_{th} 时,向系统提供复位信号。同时,在上电或电源电压恢复到高于预设的检测电压 V_{th} 时,或使能 \overline{MR} 电压由低电平变为高电平时, \overline{RESET} 输出将延时 T_{rp} 时间后输出变为高电平。

MAX811X 系列芯片当输入电压低于检测电压 V_{th} 时, \overline{RESET} 输出为低电平;当使能控制端 \overline{MR} 电压为低电平时, \overline{RESET} 输出也为低电平。应用简单,无需外部器件。

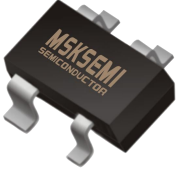
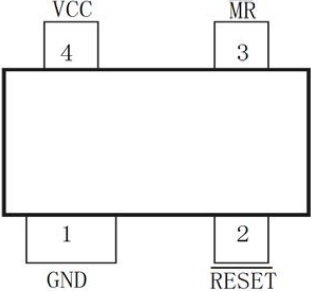
产品特点

- 低功耗: 2 μ A (典型值) @ $V_{MR} = V_{CC}$
- 宽工作电压范围: 1V~6.0V
- 具有 V_{CC} 瞬态抗干扰
- 应用简单,无需外部元件
- 内置复位延时时间500ms (典型值)
- 高精度复位电压值: $\pm 2.5\%$
- 具有使能控制端 \overline{MR} ,低电平有效
- 小体积封装: SOT-143

产品用途

- 电池供电设备
- 掉电检测器
- 电脑、微机处理器
- 非易失性 RAM 信号存储保护器
- 临界 MP 电源监控
- 嵌入式系统



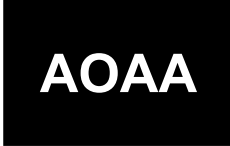



封装形式和管脚

封装形式	管脚定义
 <p>SOT-143</p>	

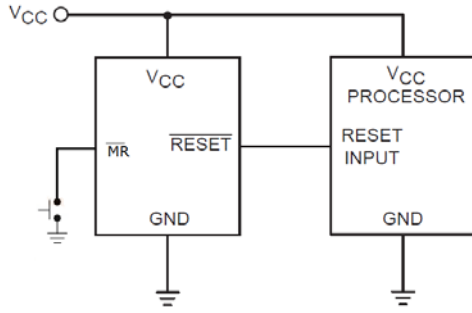
管脚序号	管脚定义	功能说明
SOT-143		
1	GND	电源负极端
2	\overline{RESET}	复位输出端
3	\overline{MR}	使能控制端
4	VCC	电源正极端

型号和丝印详情

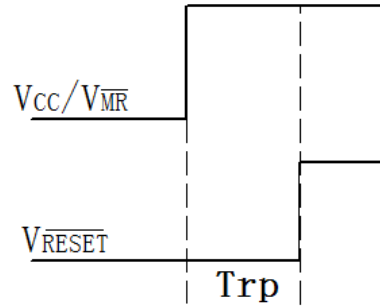
名称	型号	最高输入电压 VCC (V)	复位电压 V _{th} (V)	V _{th} 容差	封装形式
MAX811	MAX811L	6.0	4.63	±2.5%	SOT-143
	MAX811M	6.0	4.38	±2.5%	
	MAX811J	6.0	4.00	±2.5%	
	MAX811T	6.0	3.08	±2.5%	
	MAX811S	6.0	2.93	±2.5%	
	MAX811R	6.0	2.63	+2.5%	

MAX811L	MAX811M	MAX811J
		
MAX811T	MAX811S	MAX811R
		

应用电路



上电复位时间



极限参数

项目	符号	说明	极限值	单位
电压	V_{CC}	输入电压	6.5	V
	V_{RESET}	复位输出电压	-0.3 ~ $V_{CC}+0.3$	V
功耗	PD	SOT143	200	mW
温度	T_A	工作温度范围	-20—70	°C
	T_S	存储温度范围	-50—125	
	T_W	焊接温度	260	°C,10s

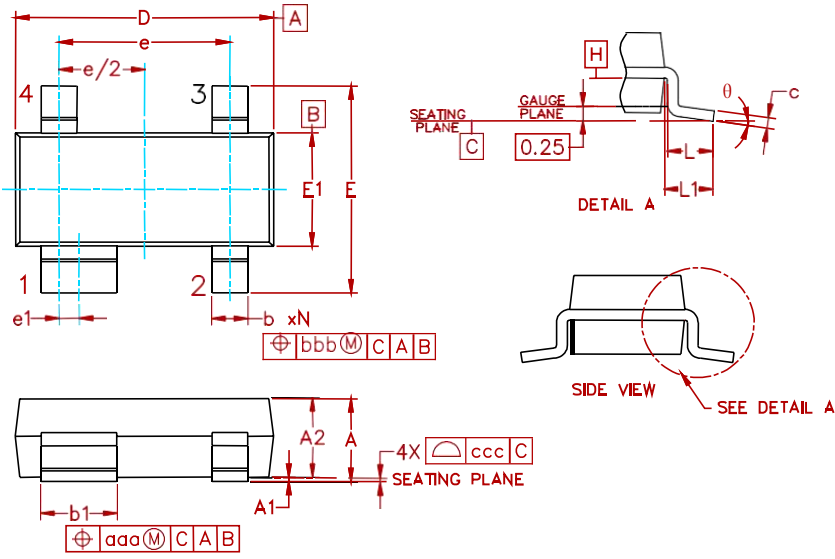
电学特性

MAX811

($T_a=25^{\circ}\text{C}$, 除非特别指定)

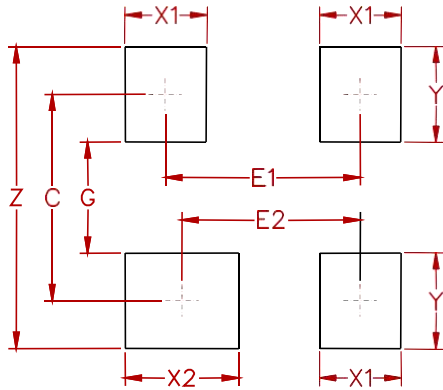
符号	参数	测试条件	最小	典型	最大	单位	
V_{CC}	工作电压		1.0	-	6.0	V	
V_{th}	输入检测电压	$V_{CC}=V_{th}$ for $V_{RESET}=H \rightarrow L$, No Load	$0.975 \cdot V_{th}$	V_{th}	$1.025 \cdot V_{th}$	V	
I_{CCH}	静态电流	$V_{CC}=6V, V_{MR}=V_{CC}$, No Load	1	-	5	μA	
I_{CCL}	待机电流	$V_{CC}=6V, V_{MR}=GND$, No Load	1	-	32	μA	
I_{MR}	使能拉电流	$V_{CC}=6V, V_{MR}=GND$, No Load	1	-	25	μA	
T_{rd}	复位下降沿时间	$V_{CC}=V_{th}$ to $V_{th}-100\text{mV}$	-	150	-	ns	
T_{rp}	输出复位时间	MAX811Z/R/S/T: $V_{CC}=V_{MR}=0$ to 3.5V or $V_{MR}=0$ to 3.5V, $V_{CC}=3.5V$	No Load	85	500	900	ms
		MAX811M/L: $V_{CC}=V_{MR}=0$ to 5V or $V_{MR}=0$ to 5V, $V_{CC}=5V$					
V_{OL}	输出低电压	$V_{CC}=V_{thmin}$, $I_{SINK}=3.2\text{mA}$	-	-	0.5	V	
V_{OH}	输出高电压	$V_{CC}>V_{thmax}$, $I_{SOURCE}=500\mu\text{A}$	$0.8V_{CC}$	-	-	V	
V_{MRH}	输入高电平	$V_{CC}=6V, V_{RESET}=V_{CC}$, No Load	$0.7 \cdot V_{CC}$	-	V_{CC}	V	
V_{MRL}	输入低电平	$V_{CC}=6V, V_{RESET}=GND$, No Load	0	-	$0.2 \cdot V_{CC}$	V	
t_{MR}	使能电平最小脉宽		10	-	-	μs	
$\frac{\Delta V_{th}}{V_{th} \cdot \Delta T_a}$	温度系数	$-20^{\circ}\text{C} \leq T_a \leq 60^{\circ}\text{C}$	-	± 200	-	ppm/ °C	

封装信息



Symbol	Inches			Millimeters		
	Min.	Nom.	Max.	Min.	Nom.	Max.
A	0.031	-	0.048	0.80	-	1.22
A1	0.000	-	0.008	0.013	-	0.15
A2	0.020	0.035	0.042	0.75	0.90	1.07
b	0.011	-	0.020	0.30	-	0.51
b1	0.029	-	0.037	0.76	-	0.94
c	0.003	-	0.008	0.08	-	0.20
D	0.110	0.114	0.120	2.80	2.90	3.04
E	0.082	0.093	0.104	2.10	2.37	2.64
E1	0.047	0.051	0.055	1.20	1.30	1.40
e	0.075			1.92 BSC		
e1	0.008			0.20 BSC		
L	0.015	0.020	0.024	0.40	0.50	0.60
L1	(0.021)			(0.54)		
N	4			4		
θ	0°	-	8°	0°	-	8°
aaa	0.006			0.15		
bbb	0.008			0.20		
ccc	0.004			0.10		

焊盘布局



订购信息

P/N	PKG	QTY
MAX811	SOT-143	3000

Attention

- Any and all MSKSEMI Semiconductor products described or contained herein do not have specifications that can handle applications that require extremely high levels of reliability, such as life-support systems, aircraft's control systems, or other applications whose failure can be reasonably expected to result in serious physical and/or material damage. Consult with your MSKSEMI Semiconductor representative nearest you before using any MSKSEMI Semiconductor products described or contained herein in such applications.
- MSKSEMI Semiconductor assumes no responsibility for equipment failures that result from using products at values that exceed, even momentarily, rated values (such as maximum ratings, operating condition ranges, or other parameters) listed in products specifications of any and all MSKSEMI Semiconductor products described or contained herein.
- Specifications of any and all MSKSEMI Semiconductor products described or contained herein stipulate the performance, characteristics, and functions of the described products in the independent state, and are not guarantees of the performance, characteristics, and functions of the described products as mounted in the customer's products or equipment. To verify symptoms and states that cannot be evaluated in an independent device, the customer should always evaluate and test devices mounted in the customer's products or equipment.
- MSKSEMI Semiconductor strives to supply high-quality high-reliability products. However, any and all semiconductor products fail with some probability. It is possible that these probabilistic failures could give rise to accidents or events that could endanger human lives, that could give rise to smoke or fire, or that could cause damage to other property. When designing equipment, adopt safety measures so that these kinds of accidents or events cannot occur. Such measures include but are not limited to protective circuits and error prevention circuits for safe design, redundant design, and structural design.
- In the event that any or all MSKSEMI Semiconductor products (including technical data, services) described or contained herein are controlled under any of applicable local export control laws and regulations, such products must not be exported without obtaining the export license from the authorities concerned in accordance with the above law.
- No part of this publication may be reproduced or transmitted in any form or by any means, electronic or mechanical, including photocopying and recording, or any information storage or retrieval system, or otherwise, without the prior written permission of MSKSEMI Semiconductor.
- Information (including circuit diagrams and circuit parameters) herein is for example only ; it is not guaranteed for volume production. MSKSEMI Semiconductor believes information herein is accurate and reliable, but no guarantees are made or implied regarding its use or any infringements of intellectual property rights or other rights of third parties.
- Any and all information described or contained herein are subject to change without notice due to product/technology improvement, etc. When designing equipment, refer to the "Delivery Specification" for the MSKSEMI Semiconductor product that you intend to use.