

MSKSEMI 美森科

SEMICONDUCTOR



ESD



TVS



TSS



MOV



GDT



PLED

LM321

产品手册

产品简介

LM321 是一款单路输出的低功耗差分式运算放大器，可以单电源或双电源供电。具有较高的开环增益、内部补偿、高共模范围和良好的温度稳定性，以及具有输出短路保护的特点。可应用于传感器的放大电路、直流放大模块，音频放大电路和传统的运算放大电路中

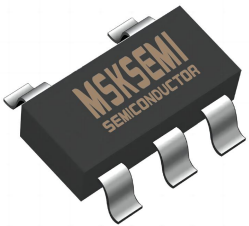
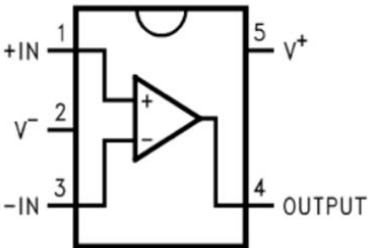

产品特点

- 单电源电压范围：3V~36V
- 双电源电压范围：±18V
- 单位增益带宽：可达 1.2MHZ
- 输出短路保护
- 低功耗：0.5mA @ V+=5V
- 封装形式：SOT-23-5

产品用途

- 传感器信号放大器
- 直流增益
- 音频放大器
- 其它应用领域

封装形式和管脚

封装形式	管脚定义	丝印
 <p>SOT-23-5</p>		

SOT23-5 管脚序号	管脚定义	功能说明
1	IN+	正相输入
2	V-	电源负
3	IN-	反相输入
4	OUTPUT	输出
5	V+	电源正

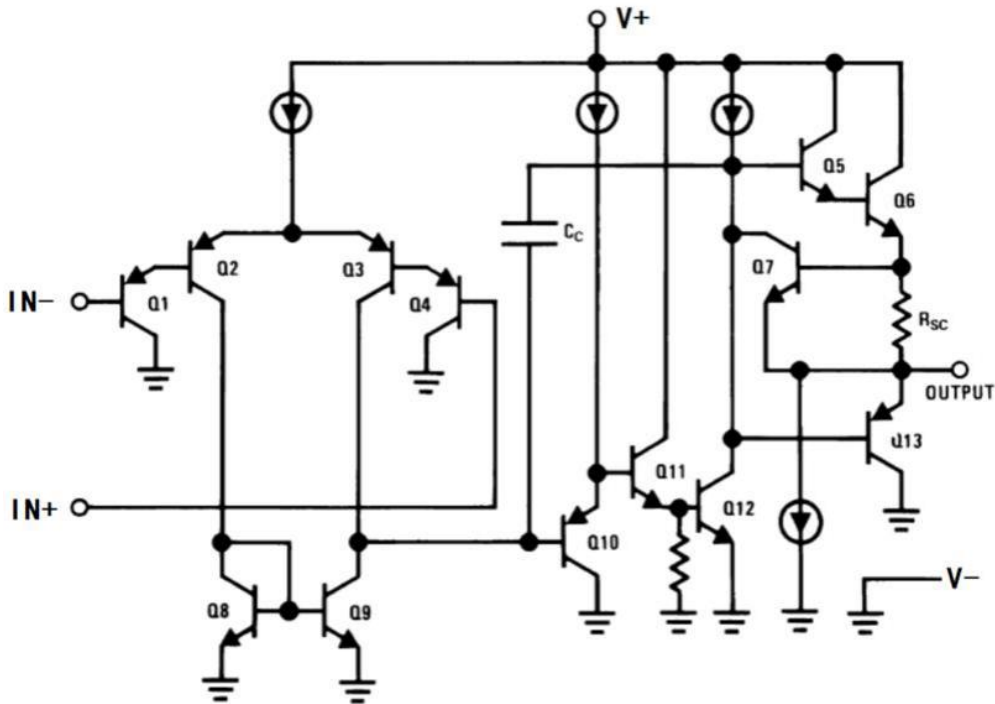
极限参数

项目	符号	极限值 ⁽¹⁾	单位
单电源供电电压	V+	40	V
双电源供电电压	V _S	±20	V
差分输入电压 ⁽²⁾	V _{IDR}	±40	V
共模输入电压	V _{ICR}	-0.3~40V	V
输出短路时间	t _{sc}	连续	
耗散功率	P _D	300	mW
工作温度	T _A	0~70	°C
储存温度	T _S	-65~150	°C
焊接温度	T _W	260, 10s	°C

注：（1）极限值是指无论在任何条件下都不能超过的极限值。如果达到此极限值，将有可能造成产品劣化等物理性损伤；同时在接近极限参数下，不能保证芯片可以正常工作。

（2）输入 IN+与 IN-之间的电压差。

等效原理图

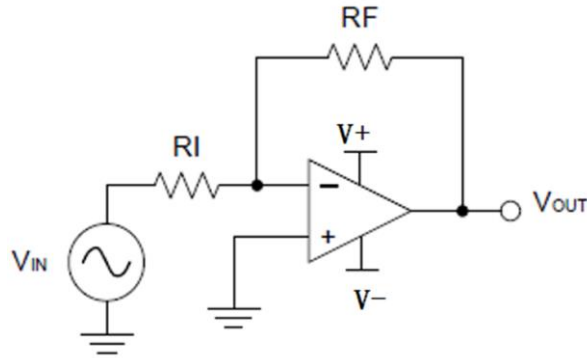


直流电学特性 (T_A=25°C, V₊ =5V, V₋ =GND 除非特别指定)

项目	符号	测试条件	最小值	典型值	最大值	单位	
输入失调电压	V _{IO}	V ₊ =5V to MAX, V _{IC} =V _{ICR} (min), V _O =1.4V	-	5	-	mV	
输入失调电流	I _{IO}	V _O = 1.4 V	-	10	50	nA	
偏置电流	I _{BIAS}	V _O = 1.4 V	-	50	250	nA	
共模输入电压	V _{ICR}	V ₊ =5V to 36V	V ₋	-	V ₊ -1.5V	V	
开环电压增益	AOL	V ₊ =15V, V _O =1V to 11V, R _L ≥2k Ω		100	-	V/mV	
共模抑制比	CMRR	V ₊ =5V to MAX, V _{IC} =V _{ICR} (min)	-	80	-	dB	
单位增益带宽	GBWP		-	1.2	-	MHZ	
电源电压抑制比P _{SSR}	ΔV _{VDD} /ΔV _{IO}	V ₊ =5V to MAX, f=20kHz	-	90	-	dB	
输出高电平电压	V _{OH}	V ₊ =15V, V _{ID} =1V	I _{out} =-50uA	-	13.6	-	V
			I _{out} =-1mA	-	13.5	-	V
			I _{out} =-5mA	-	13.4	-	V
		V ₊ =28V	R _L =2k		26	-	V
输出低电平电压	V _{OL}	V ₊ =15V, V _{ID} =-1V	I _{out} =50uA	-	0.1	-	V
			I _{out} =1mA	-	0.7	-	V
			I _{out} =5mA	-	1.0	-	V
		V ₊ =28V	R _L =2k	-	0.85	-	V
电源工作电流	I _{CC}	V ₊ =5V, V _O =1/2V ₊ , No load	-	0.5	-	mA	
		V ₊ =36, V _O =1/2V ₊ , No load	-	0.8	-	mA	
单电源工作电压	V ₊	V ₋ =0V (GND)	3	-	36	V	
双电源工作电压	V _S	V ₊ , V ₋	-18	-	+18	V	

典型应用

1、线路图



2、设计要求

必须选择大于输入电压范围和输出范围的电源电压。

例如，将信号源 V_{IN} 从 $\pm 0.5\text{ V}$ 放大到 $\pm 1.8\text{ V}$ 。将电源设置为 $\pm 5\text{ V}$ 足以适应此应用要求。

3、设计过程

根据公式(1)计算放大倍数(增益) A_V

$$A_V = -V_O/V_{IN} \quad \text{-----(1)}$$

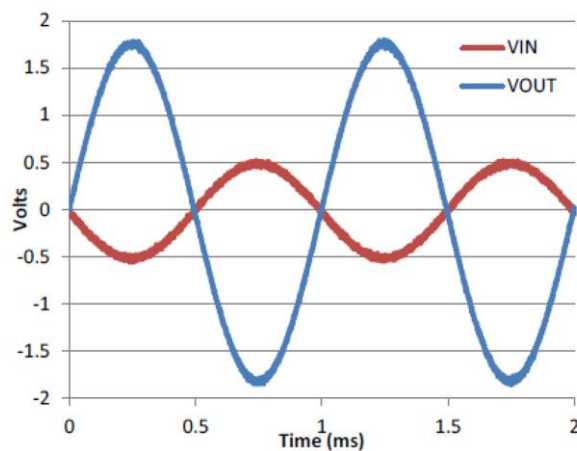
$$A_V = -V_O/V_{IN} = -1.8/0.5 = -3.6$$

一旦确定了所需的增益 A_V ，就要为 R_I 或 R_F 电阻选择一个值。根据运放的电特性及功耗的需要，可选择 $1\text{ k}\Omega$ - $100\text{ k}\Omega$ 范围内的值。本例将选择 $R_I = 10\text{ k}\Omega$ ，则 $R_F = 36\text{ k}\Omega$ 。这由方程式 2 确定。

$$A_V = -R_F/R_I \quad \text{-----(2)}$$

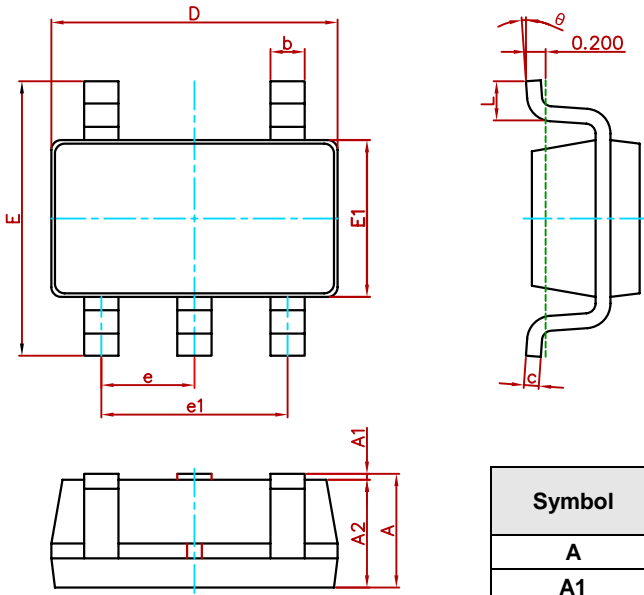
$$R_F = -A_V * R_I = 3.6 * 10 = 36\text{ k}\Omega$$

4、应用曲线图



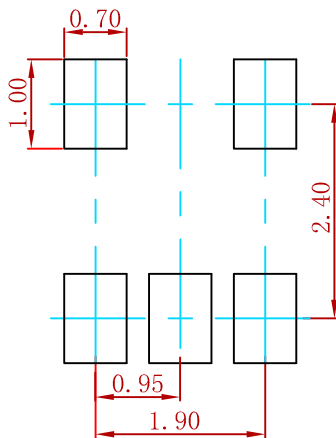
反相放大器的输入电压 VS 输出电压

封装信息



Symbol	Dimensions In Millimeters		Dimensions In Inches	
	Min.	Max.	Min.	Max.
A	1.050	1.250	0.041	0.049
A1	0.000	0.100	0.000	0.004
A2	1.050	1.150	0.041	0.045
b	0.300	0.500	0.012	0.020
c	0.100	0.200	0.004	0.008
D	2.820	3.020	0.111	0.119
E	2.650	2.950	0.104	0.116
E1	1.500	1.700	0.059	0.067
e	0.950(BSC)		0.037(BSC)	
e1	1.800	2.000	0.071	0.079
L	0.300	0.600	0.012	0.024
theta	0°	8°	0°	8°

焊盘布局



Note:
 1. Controlling dimension: in millimeters.
 2. General tolerance: $\pm 0.05\text{mm}$.
 3. The pad layout is for reference purposes only.

订购信息

P/N	PKG	QTY
LM321	SOT-23-5	3000

Attention

- Any and all MSKSEMI Semiconductor products described or contained herein do not have specifications that can handle applications that require extremely high levels of reliability, such as life-support systems, aircraft's control systems, or other applications whose failure can be reasonably expected to result in serious physical and/or material damage. Consult with your MSKSEMI Semiconductor representative nearest you before using any MSKSEMI Semiconductor products described or contained herein in such applications.
- MSKSEMI Semiconductor assumes no responsibility for equipment failures that result from using products at values that exceed, even momentarily, rated values (such as maximum ratings, operating condition ranges, or other parameters) listed in products specifications of any and all MSKSEMI Semiconductor products described or contained herein.
- Specifications of any and all MSKSEMI Semiconductor products described or contained herein stipulate the performance, characteristics, and functions of the described products in the independent state, and are not guarantees of the performance, characteristics, and functions of the described products as mounted in the customer's products or equipment. To verify symptoms and states that cannot be evaluated in an independent device, the customer should always evaluate and test devices mounted in the customer's products or equipment.
- MSKSEMI Semiconductor strives to supply high-quality high-reliability products. However, any and all semiconductor products fail with some probability. It is possible that these probabilistic failures could give rise to accidents or events that could endanger human lives, that could give rise to smoke or fire, or that could cause damage to other property. When designing equipment, adopt safety measures so that these kinds of accidents or events cannot occur. Such measures include but are not limited to protective circuits and error prevention circuits for safe design, redundant design, and structural design.
- In the event that any or all MSKSEMI Semiconductor products (including technical data, services) described or contained herein are controlled under any of applicable local export control laws and regulations, such products must not be exported without obtaining the export license from the authorities concerned in accordance with the above law.
- No part of this publication may be reproduced or transmitted in any form or by any means, electronic or mechanical, including photocopying and recording, or any information storage or retrieval system, or otherwise, without the prior written permission of MSKSEMI Semiconductor.
- Information (including circuit diagrams and circuit parameters) herein is for example only ; it is not guaranteed for volume production. MSKSEMI Semiconductor believes information herein is accurate and reliable, but no guarantees are made or implied regarding its use or any infringements of intellectual property rights or other rights of third parties.
- Any and all information described or contained herein are subject to change without notice due to product/technology improvement, etc. When designing equipment, refer to the "Delivery Specification" for the MSKSEMI Semiconductor product that you intend to use.