

# Customer Information Sheet

DRAWING No.: S1761-XXR

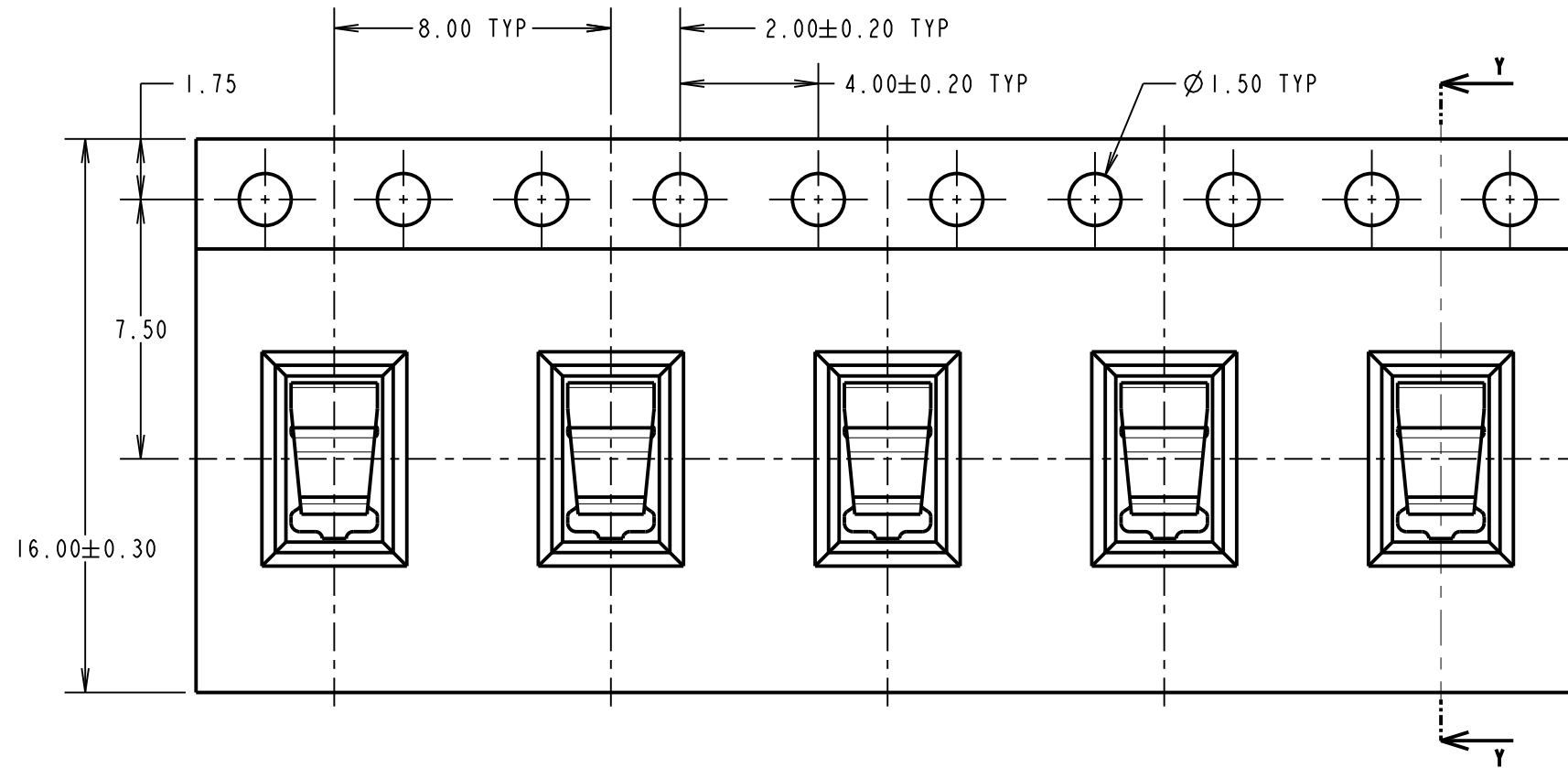
IF IN DOUBT - ASK

©

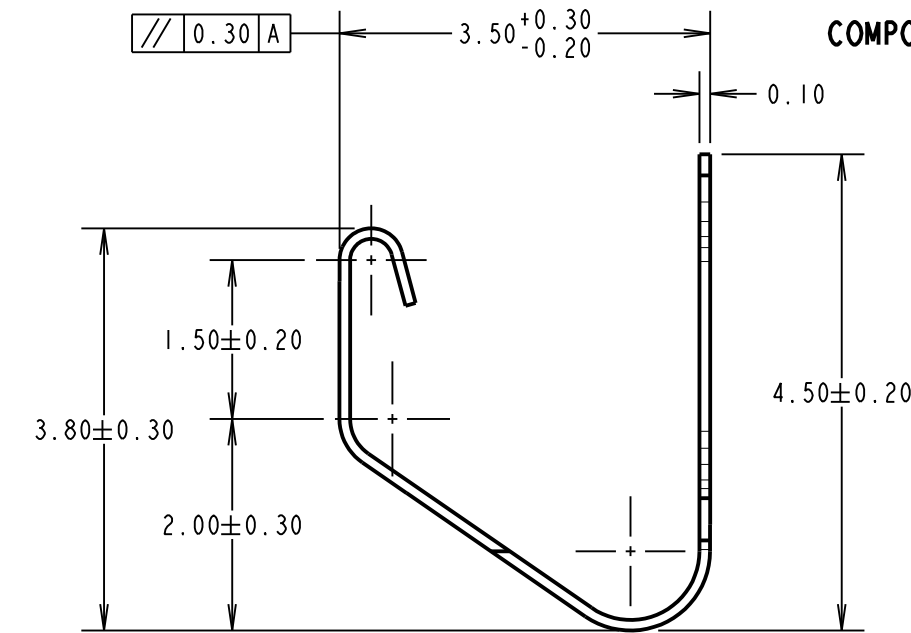
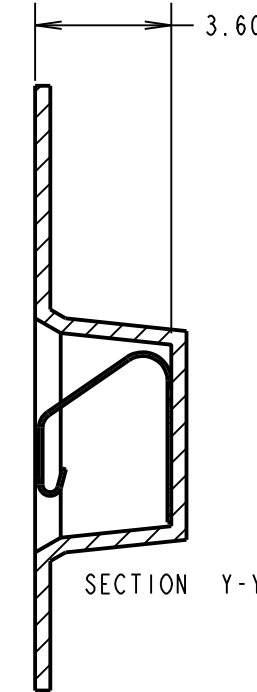
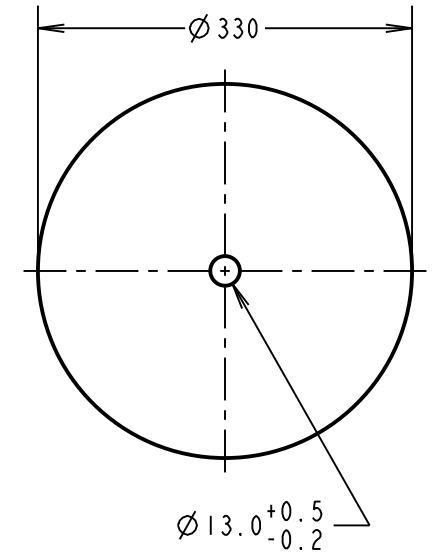
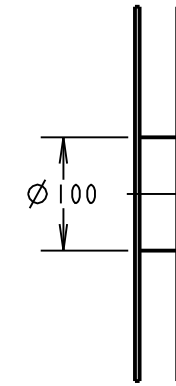
NOT TO SCALE

THIRD ANGLE PROJECTION

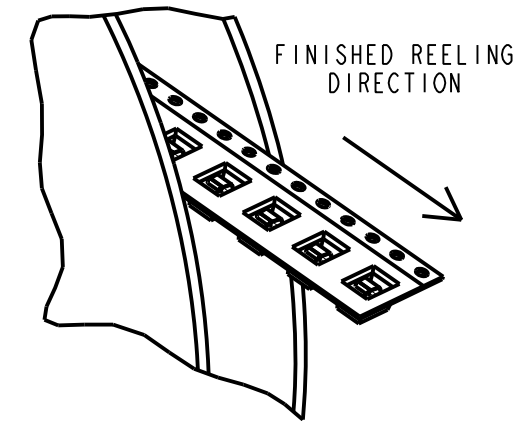
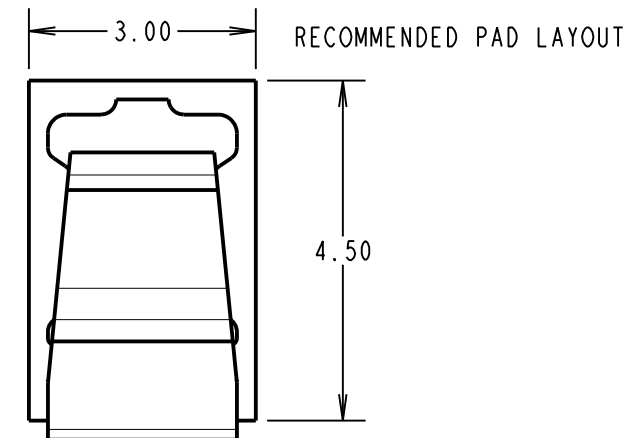
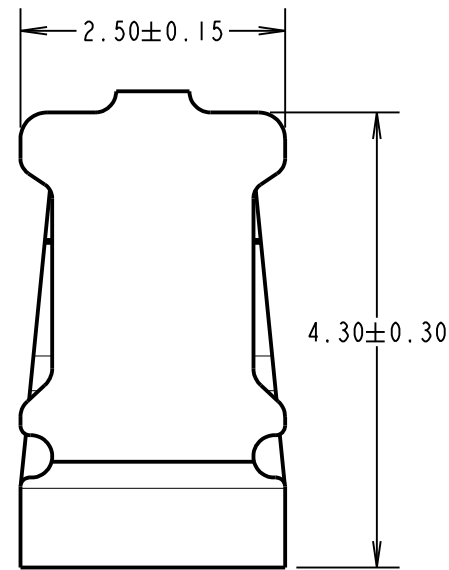
ALL DIMENSIONS IN mm



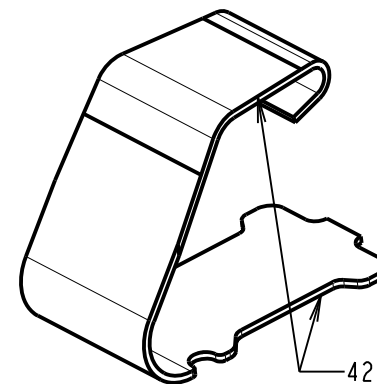
### REEL DIMENSIONS



### COMPONENT DETAILS



**COMPONENT SPECIFICATION:**  
 MATERIAL = TITANIUM COPPER ALLOY.  
 FINISH:  
 42 = 0.76-1.27µm NICKEL ALL OVER,  
 0.05µm GOLD FLASH ON CONTACT AREA,  
 2.54µm MIN 100% TIN ON FOOT AREA  
 46 = 2.54µm MIN 100% TIN OVER 0.76-1.27µm NICKEL  
 RECOMMENDED WORKING HEIGHT = 2.50mm / MIN FORCE = 1.5N  
 MINIMUM WORKING HEIGHT = 1.75mm / MAX FORCE = 8.5N  
 ELECTRICAL:  
 CURRENT RATING = 4A  
 MECHANICAL:  
 DURABILITY = 1500 CYCLES  
 ENVIRONMENTAL:  
 OPERATING TEMPERATURE = -55°C TO +125°C



42 FINISH:  
GOLD PLATED AREA

ORDER CODE:  
**S1761-XXR**  
 FINISH:  
 42 = NICKEL ALL OVER,  
 GOLD FLASH ON CONTACT AREA  
 TIN ON FOOT AREA  
 46 = TIN OVER NICKEL ALL OVER

NOTES:  
 1. QUANTITY PER REEL = 2000.

MGP	10	12.01.22	31219
NAME	ISS.	DATE	CN/CO
APPROVED: MGP			
CHECKED: RA			
DRAWN: N. CODLING			
CUSTOMER REF.:			
ASSEMBLY DRG:			

**HARWIN**  
 www.harwin.com  
 technical@harwin.com

THIS DRAWING AND ANY INFORMATION OR DESCRIPTIVE MATTER SET OUT HEREON ARE CONFIDENTIAL AND COPYRIGHT PROPERTY OF THE HARWIN GROUP AND MUST NOT BE DISCLOSED, LOANED, COPIED OR USED FOR MANUFACTURING, TENDERING OR FOR ANY OTHER PURPOSE WITHOUT THEIR WRITTEN PERMISSION.

**TOLERANCES**  
 X. = ±1mm  
 X.X = ±0.50mm  
 X.XX = ±0.20mm  
 X.XXX = ±0.01mm  
 ANGLES = ±5°  
 UNLESS STATED

**MATERIAL:**  
 SEE ABOVE  
**FINISH:**  
 SEE ABOVE  
**S/AREA:**  
 mm<sup>2</sup>

**TITLE:**  
 S1761-XX EMI SHIELD FINGER  
 IN TAPE AND REEL  
**DRAWING NUMBER:**  
**S1761-XXR**  
 SHT  
 2 OF 2