

Customer Information Sheet

DRAWING No.: S8111-46R

SHEET 2 OF 2

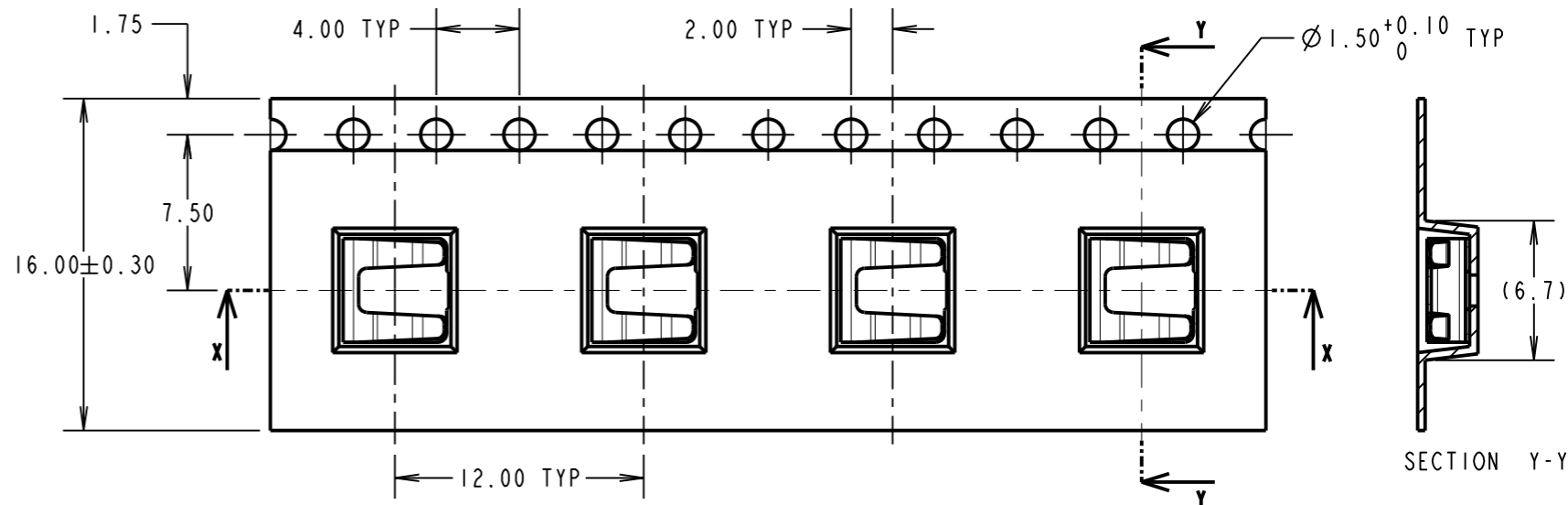
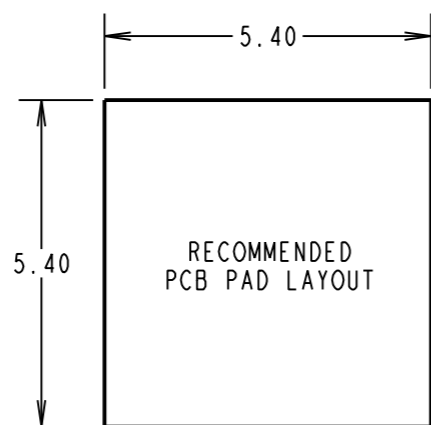
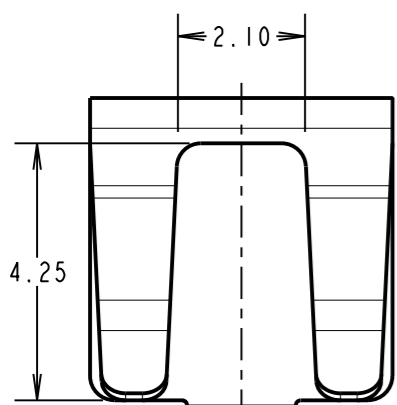
IF IN DOUBT - ASK

©

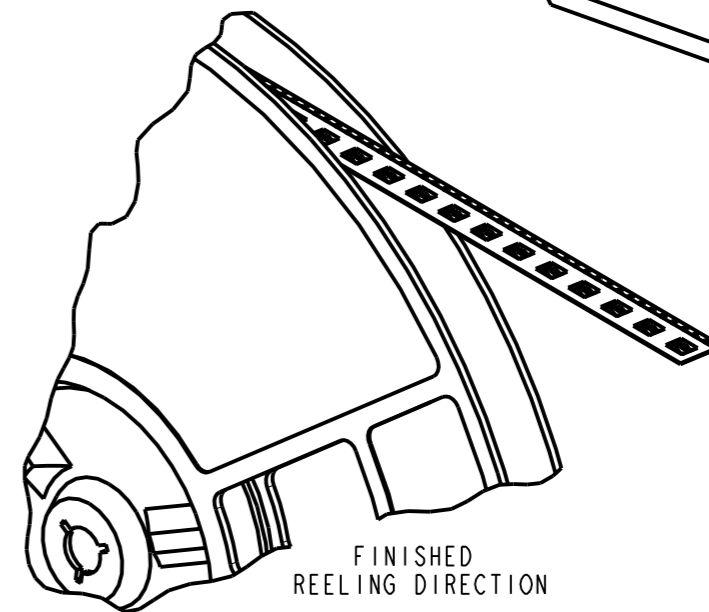
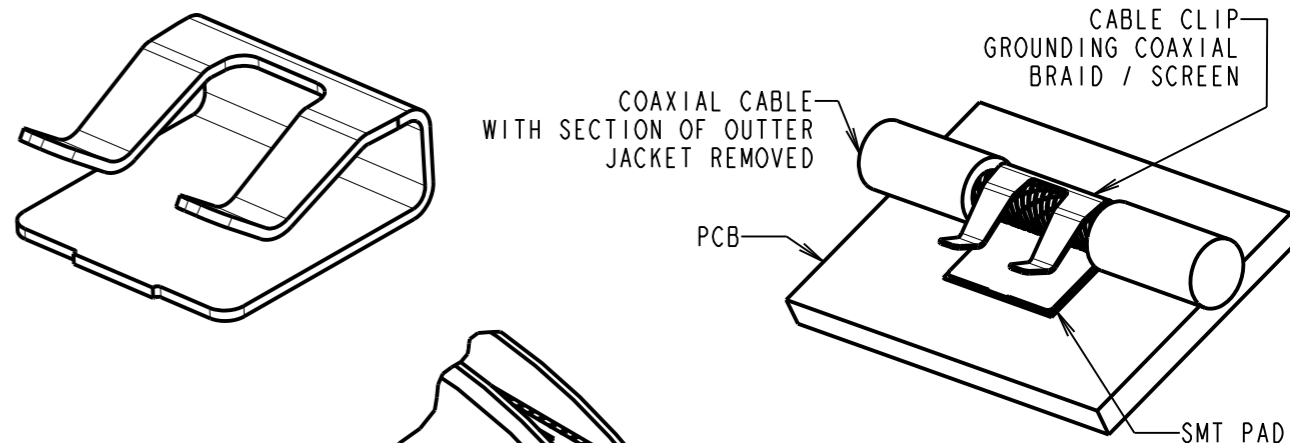
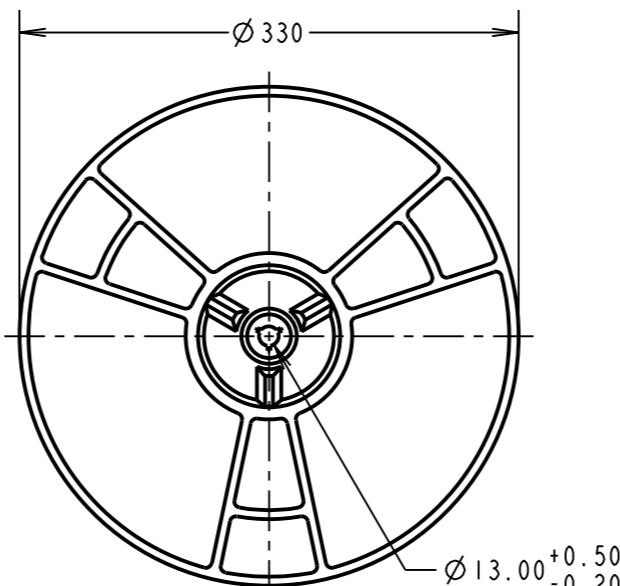
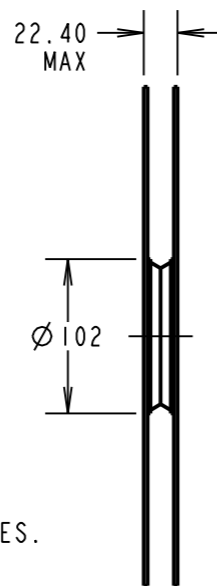
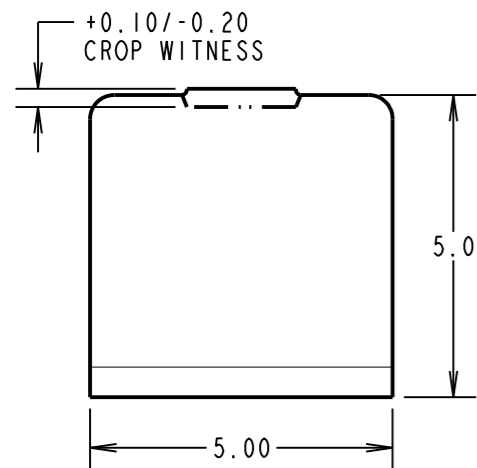
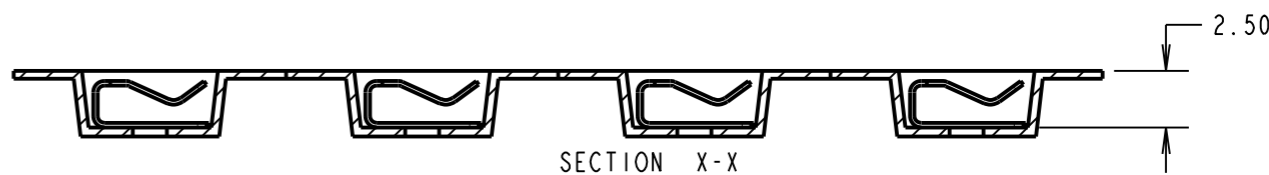
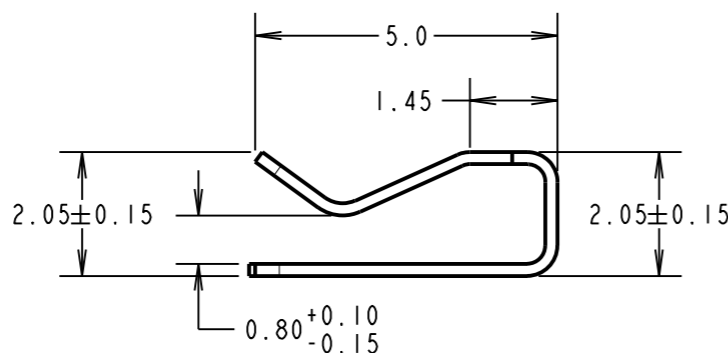
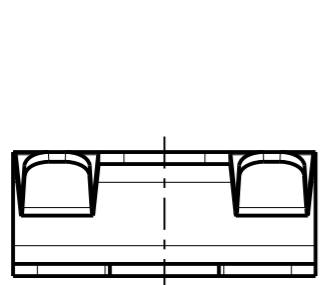
NOT TO SCALE

THIRD ANGLE PROJECTION

ALL DIMENSIONS IN mm



SECTION Y-Y



COMPONENT SPECIFICATION:
MATERIAL: PHOSPHOR BRONZE
FINISH: ROHS TIN OVER NICKEL
CAPACITY MAX: 3 x Ø1.0mm WIRES
2 x Ø1.5mm WIRES

COAX USAGE:
SUITABLE FOR USE AS A COAXIAL BRAID/SCREEN
GROUNDING CLIP WITH RG174, RG179 AND RG316 TYPE CABLES.

NOTES:
1. QUANTITY OF COMPONENTS PER REEL = 1,500.
2. THIS PRODUCT IS TAPED AND REELED IN ACCORDANCE WITH EIA-481 (ELECTRONICS INDUSTRIES ASSOCIATION).

SF	2	23.06.11	11327
NAME	ISS.	DATE	C/NOTE
APPROVED:		S.FLOWER	
CHECKED:		R.ADDE	
DRAWN:		MARK G PLESTED	
CUSTOMER REF.:			
ASSEMBLY DRG:			

HARWIN

HARWIN USA
TEL: 603 893 5376
FAX: 603 893 5396
mis@harwin.com

HARWIN Europe (UK)
TEL: 023 9231 4545
FAX: 023 9231 4590
mis@harwin.co.uk

HARWIN Asia
TEL: +65 6 779 4909
FAX: +65 6 779 3868
mis@harwin.com.sg

THIS DRAWING AND ANY INFORMATION OR DESCRIPTIVE MATTER SET OUT HEREON ARE CONFIDENTIAL AND COPYRIGHT PROPERTY OF THE HARWIN GROUP AND MUST NOT BE DISCLOSED, LOANED, COPIED OR USED FOR MANUFACTURING, TENDERING OR FOR ANY OTHER PURPOSE WITHOUT THEIR WRITTEN PERMISSION.

TOLERANCES
X. = ±1mm
X.X = ±0.25mm
X.XX = ±0.10mm
X.XXX = ±0.01mm
ANGLES = ±5°
UNLESS STATED

MATERIAL:
SEE ABOVE

FINISH:

S/AREA: mm²

TITLE: SMT CABLE CLIP Ø1.0-1.5mm / RG174, RG179, RG316 COAX GROUNDING CLIP IN TAPE & REEL

DRAWING NUMBER: **S8111-46R**

SHT 2 OF 2