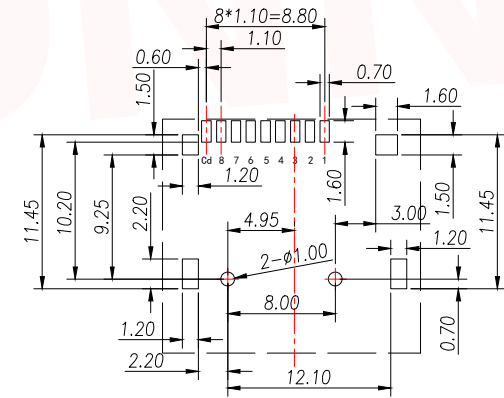
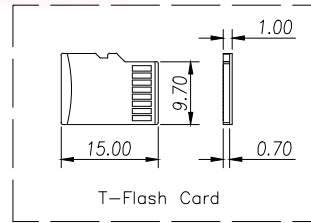
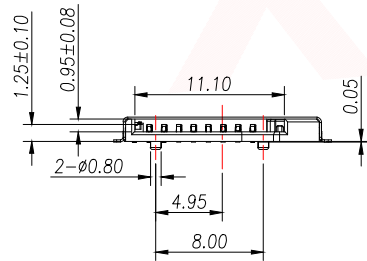
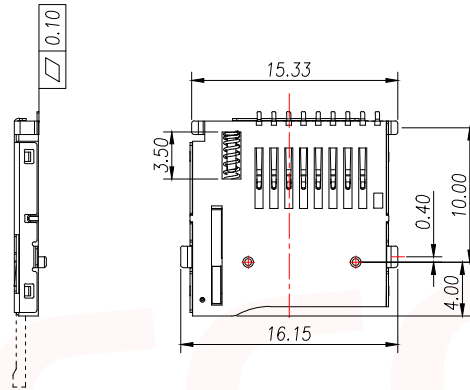
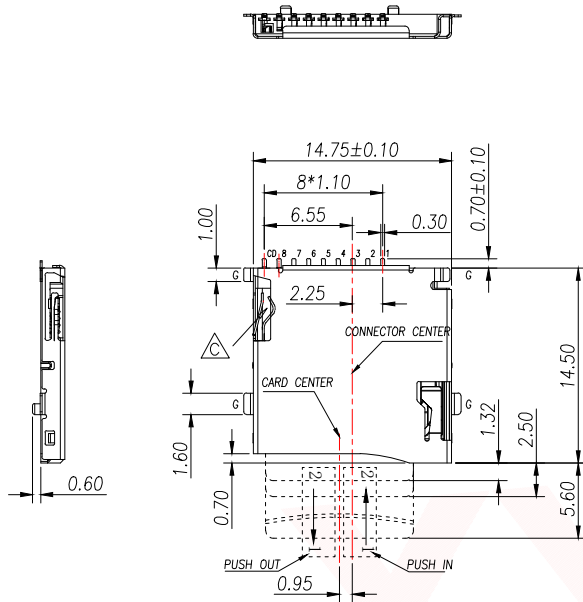


|      |      |          |      |      |
|------|------|----------|------|------|
| REV. | Q'TY | ECN. NO. | APR. | DATE |
|      |      |          |      |      |

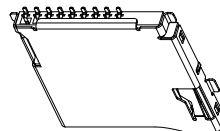
Specification:

- Electrical Characteristics:**  
 Contact Current Rating:0.5 Amperes.  
 Dielectric Withstanding Voltage:AC500V r.m.s.  
 Insulation Resistance:1000 MΩ Minimum.  
 Contact Resistance:40 mΩ Maximum.
- Environmental:**  
 Operating Temperature:-25°C~+90°C.
- Environmental:**  
 Mating Cycles:5,000 Insertions.
- Mechanical Characteristics:**  
 Card Push Insertion/Out Force:0.2~1.40kgf.  
 Contact Separation Force:0.20kgf Minimum.
- Material:**  
 Insulator:HI-Temp Plastic UL 94V-0 Rated.  
 Contact:Copper Alloy(t=0.15mm).  
 Shell:Stainless Steel(t=0.15mm).  
 Spring:SWP.



RECOMMENDED P.C.B HOLE LAYOUT  
 COMPONENT SIDE VIEW(TOLERANCE: +/-0.05)

| PIN NO. | NAME    | YTYPE  | DESCRIPTION                |
|---------|---------|--------|----------------------------|
| 1       | DAT2    | I/O/PP | DATE LINE(BIT2)            |
| 2       | CD/DAT3 | I/O/PP | CARD DETECT DATE LIN(BIT3) |
| 3       | CMD     | PP     | COMMAND RESPONSE           |
| 4       | VDD     | S      | SUPPLY VOLTAGE             |
| 5       | CLX     | I      | CLOCK                      |
| 6       | VSS     | S      | SUPPLY VOLTAGE GROUND      |
| 7       | DAT0    | I/O/PP | DATE LINE(BIT0)            |
| 8       | DAT1    | I/O/PP | DATE LINE(DIT1)            |



| DIMENSION IN mm |         | TOLERANCE UNLESS OTHERWISE SPECIFIED |           | 厦门市辛译精密电子有限公司<br>Xiamen XinYi Xyconn Electronics Co.,Ltd |                  |
|-----------------|---------|--------------------------------------|-----------|--|------------------|
| .X±0.35         | X.*±5°  | APR.                                 | Alex      | TITLE: 1.85H PUSH Micro SD(TF) CARD CONN.                |                  |
| .XX±0.25        | .X*±3°  | CHK.                                 | Jack      | DWG NO. TF-01A-ZYD9AH1.85                                |                  |
| .XXX±0.15       | .XX*±1° | DRA.                                 | Jave      | PROJ.  | CUSTOMER DRAWING |
|                 |         | SIZE A4                              | SCALE 1:1 | SHEET 1/1  | REV. A           |