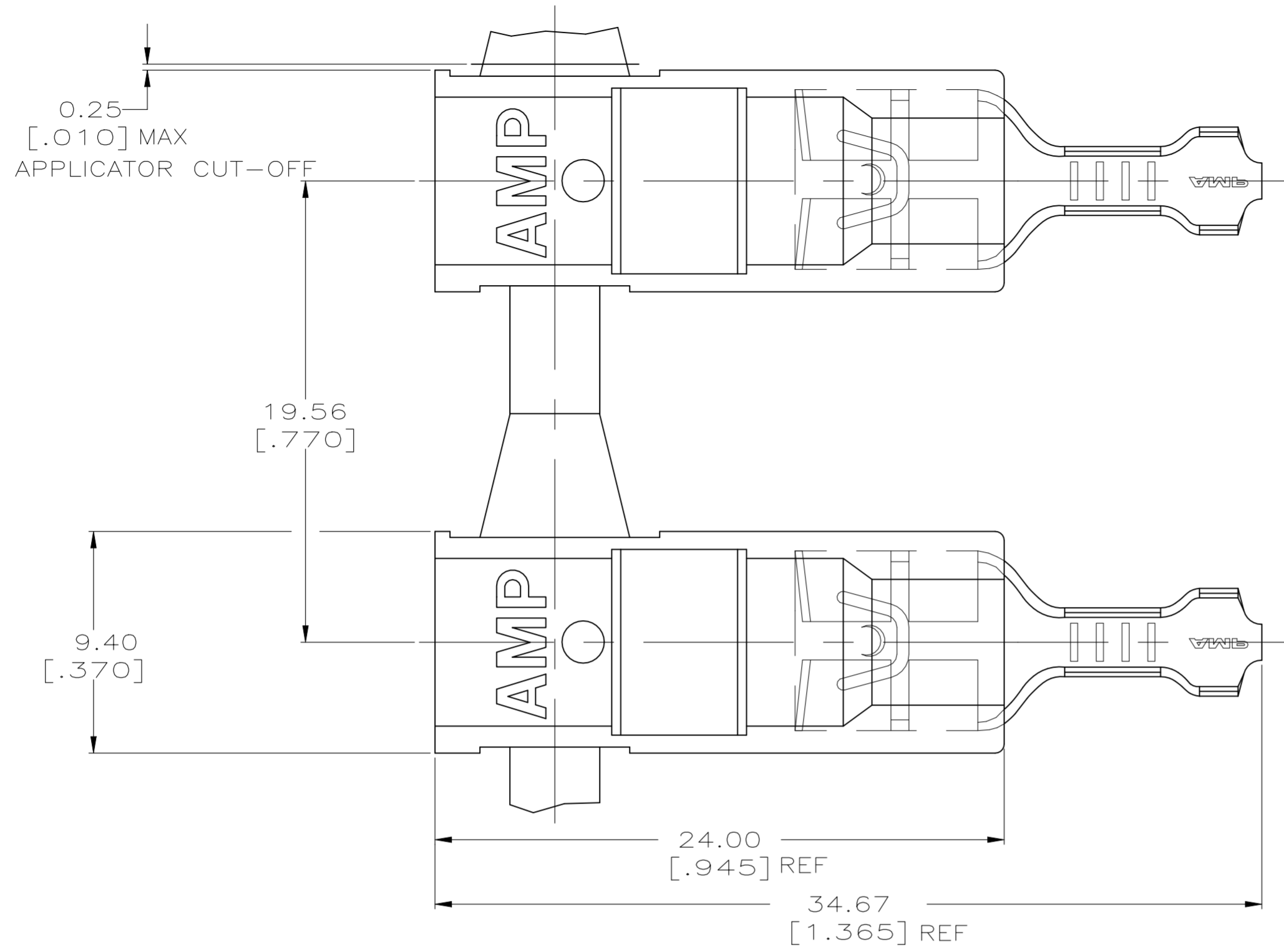
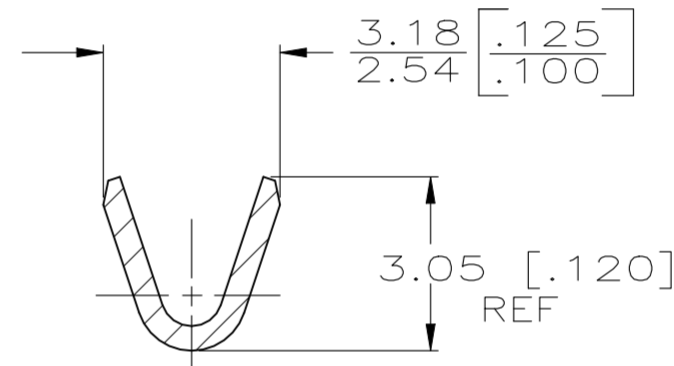


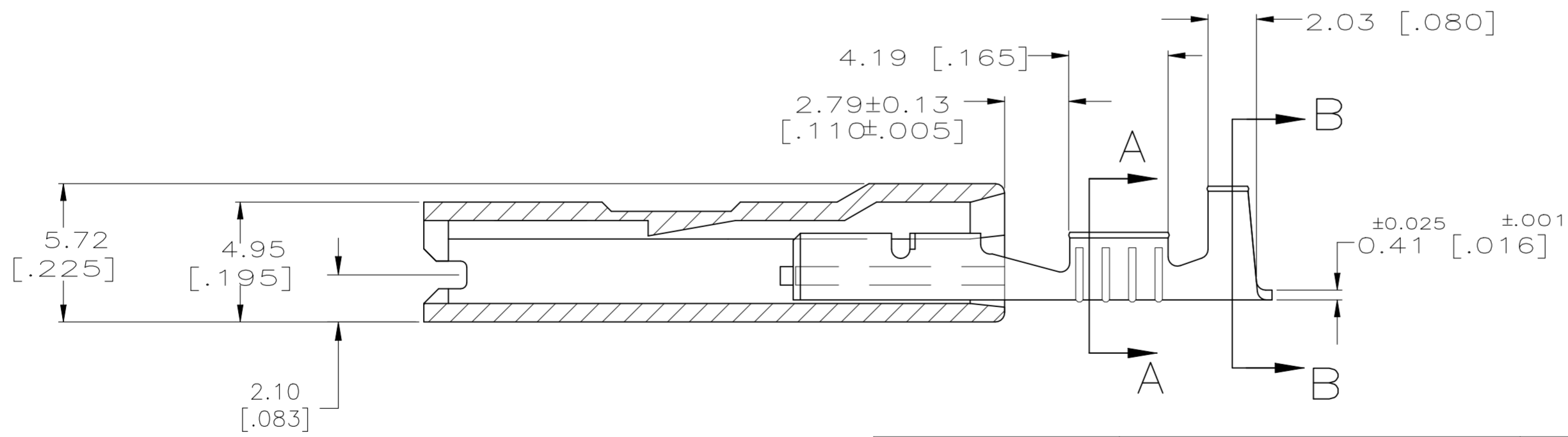
REVISIONS					
P	LTR	DESCRIPTION	DATE	DWN	APVD
A3		REVISED PER ECR-22-160893	15DEC2022	DB	BW



1 LOW-INSERTION FASTON TERMINALS, BASE PART NUMBER 63609, ARE USED IN THIS PRODUCT.



SECTION A-A  
SCALE 8:1



SECTION B-B  
SCALE 8:1

TIN PLATE PLAIN	2.29-3.30 [.090-.130]	0.3-0.8 mm <sup>2</sup> [22-18]	0.81 [.032]	521368-2
TERMINAL FINISH	INSULATION RANGE	WIRE SIZE	MATING TAB THK ±0.025 [±.001]	521368-1
				PART NO

THIS DRAWING IS A CONTROLLED DOCUMENT.		DWN JR RUTH 15JAN01		TE Connectivity		
DIMENSIONS: mm [INCHES]		CHK MS FEHER 15JAN01		NAME		
TOLERANCES UNLESS OTHERWISE SPECIFIED:		APVD J HUMMEL 15JAN01		PRODUCT SPEC		
0 PLC ± - 1 PLC ± - 2 PLC ± 0.25 [.010] 3 PLC ± - 4 PLC ± - ANGLES ± -		PRODUCT SPEC 108-1285		APPLICATION SPEC		
MATERIAL TERMINAL - BRASS HOUSING - 6/6 VO NYLON		FINISH TERMINAL - SEE TABLE HOUSING - NATURAL	WEIGHT 0.000000	SIZE A2	CAGE CODE 00779	
CUSTOMER DRAWING			DRAWING NO C=521368	RESTRICTED TO		
			SCALE 5:1	SHEET 1 of 1	REV A3	