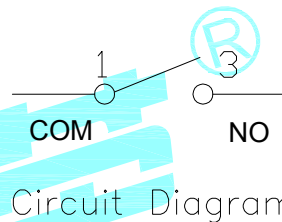
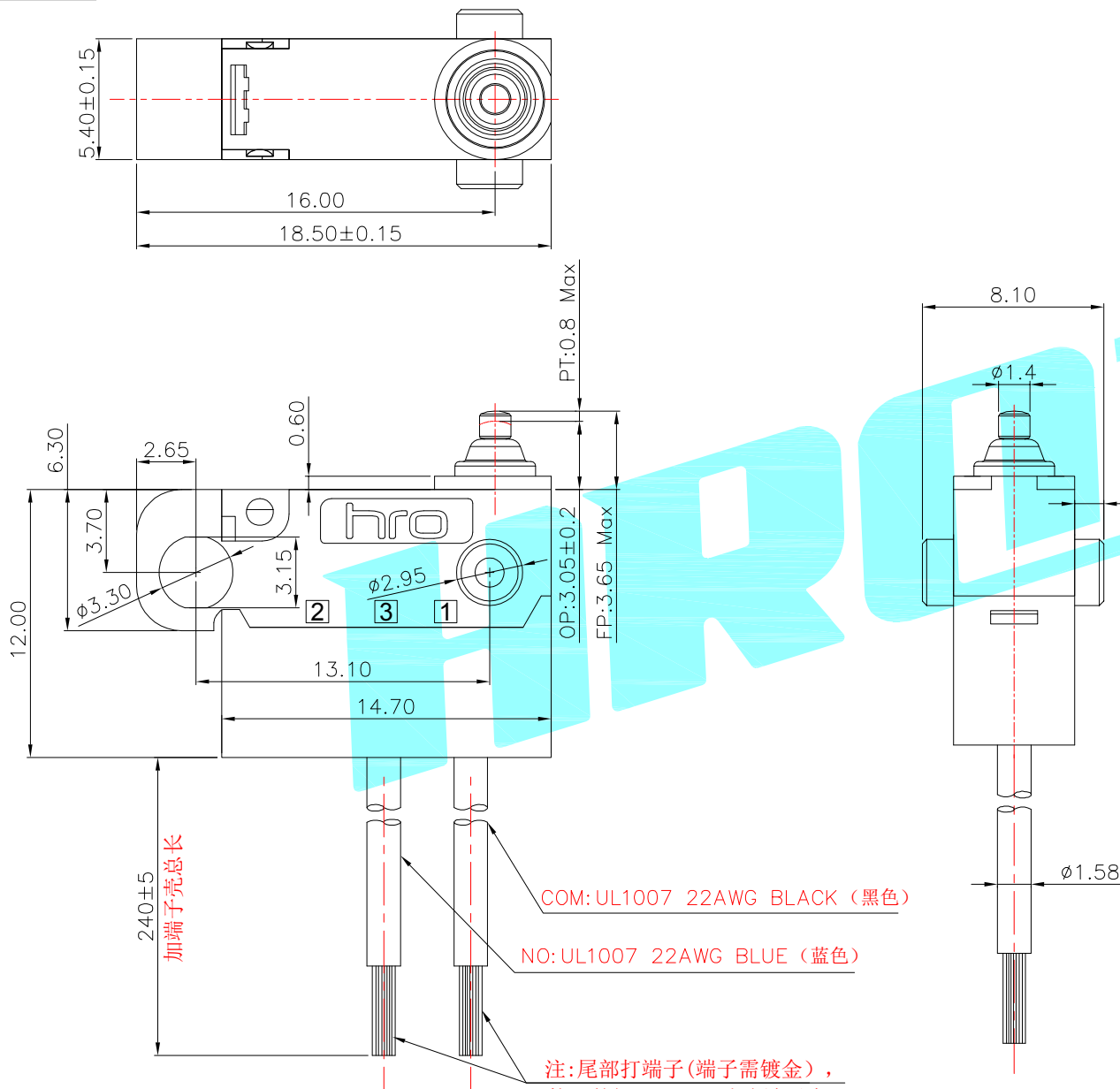


注：客户定制款，直接在原有型号后增加尾缀



NOTE:

- 1.Rating1:DC12V 3A  
Rating2:48V DC/125V AC/250V AC 0.1A
- 2.Operating froce:130gf MAX
- 3.Electric Life:100,000
- 4.Mechanical Life:500,000
- 5.Ingress protection:IP67

ITEM	PART NAME	TER'NO.	QTY.	MATERIAL	FINISHING	REMARK
⑦	Shrapnel	—	1	Brass	Plating silver	—
⑥	Contact	—	1	Ag	—	—
⑤	Sealed Circle	—	1	Silicone Rubber	—	—
④	Terminal	—	2	Brass(0.50t)	Plating silver	—
③	Plunger	—	1	POM	Black	—
②	Case	—	1	PA	Black	—
①	Cover	—	1	PA	Black	—

APPROVALS		DATE	HRO 韩荣® ELECTRONICS CO.,LTD			
DRAWN	LIUCAN	2023.9.25	TITLE:	MICRO SWITCHS		
CHECKED			PART NO.	K9-2821D-7WBN-1BA		
APPROVALS			TOLERANCES ARE	30~以上 10~30 5~10 ~ 5	±0.30 ±0.20 ±0.15 ±0.10	ANGLE UNIT: mm SCALE: 1:1 PROJ:
ECN NO.	REV.	DATE.	DESCRIPTION.	CHANGE.	CHECK.	APPRO.

COM: UL1007 22AWG BLACK (黑色)  
NO: UL1007 22AWG BLUE (蓝色)

注:尾部打端子(端子需镀金),  
接2P的间距1.25mm公头端子壳

ECN NO.	REV.	DATE.	DESCRIPTION.	CHANGE.	CHECK.	APPRO.
	A		NEW			