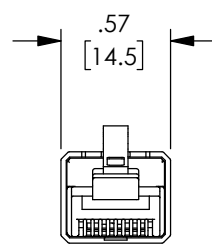
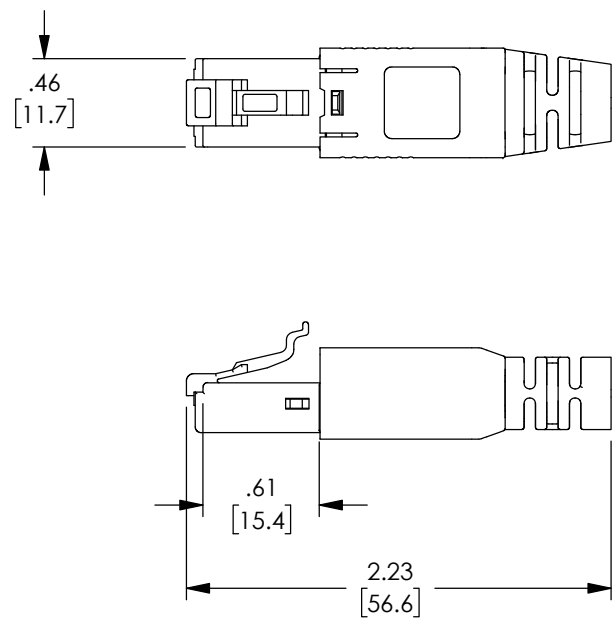


THE INFORMATION CONTAINED IN THIS DRAWING IS THE SOLE PROPERTY OF L-COM, INC. ANY REPRODUCTION IN PART OR WHOLE WITHOUT THE WRITTEN PERMISSION OF L-COM, INC. IS PROHIBITED.

REVISIONS			
REV	DESCRIPTION	DATE	APPROVED
A	INITIAL RELEASE	11/07/2019	DGUTTADAUR



**SPECIFICATIONS:**

QUALIFIED UNSCREENED CAT6A, CONNECTING HARDWARE  
 TIA-568.2-D  
 IEC 60603-7-41  
 ISO/IEC 11801 2.2 EDITION  
 CENELEC EN50173-1

**POWER OVER ETHERNET:**

PoE+ TYPE I & II  
 IEEE 802.3at  
 IEC 60512-99-001 (2012-08)  
 IEC 60512-9-3 (2011-06)

**ELECTRICAL:**

CONTACT RESISTANCE: 20 mOhm MAXIMUM  
 INSULATION RESISTANCE: 500 MOhm MINIMUM

**MECHANICAL:**


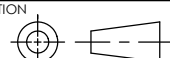
DURABILITY: 1000 MATING CYCLES  
 CABLE TO PLUG TENSILE STRENGTH: 20LBS (89N) MIN.  
 TEMPERATURE: -40°F TO 150°F (-40 °C TO +68 °C)

**PHYSICALS:**

IDC-CONTACT: T=0.4mm PHOSPHOR BRONZE, Sn OVER NICKEL PLATING  
 RECOMMENDED CABLE: SOLID #26 ~ 23AWG OUTER DIAMETER: 6.0 ~ 8.5mm

**MISCELLANEOUS:**

ALL DIMENSIONS ARE FOR REFERENCE ONLY.  
 COMPONENTS COME UN-ASSEMBLED AND SHALL BE INDIVIDUALLY PACKAGED  
 IN ACCORDANCE WITH L-COM SPECIFICATION PS-0031.

UNLESS OTHERWISE SPECIFIED, DIMENSIONS ARE IN INCHES [mm] OVERALL CABLE LENGTH TOLERANCE: ≤12 [305] = +1 [25] / -0 >12 [305] ≤60 [1524] = +2 [51] / -0 >60 [1524] ≤120 [3048] = +4 [102] / -0 >120 [3048] ≤300 [7620] = +6 [152] / -0 >300 [7620] = +3% / -0%	APPROVALS	DATE	 50 HIGH STREET NORTH ANDOVER, MA 01845
	DRAWN BY DFRISIELLO	11/04/2019	
ALL OTHER DIMENSIONAL TOLERANCES: .X = ± .2 [5] .XX = ± .02 [5] .XXX = ± .005 [13]	CHECKED BY DGUTTADAUR	11/06/2019	CATEGORY <b>TELECOM/MODULAR</b>
	APPROVED BY DGUTTADAUR	11/06/2019	
PROJECTION 	CONFIGURATION DETAILS OF UNDIMENSIONED FEATURES MAY VARY	PRODUCT DESCRIPTION <b>RJ45 FIELD-TERM C6A PLUG UTP</b>	
	COLOR VARIATIONS MAY OCCUR	SIZE <b>A</b>	CAGE CODE <b>43321</b>
		DWG. NO. <b>TSPFTC6A</b>	REV. <b>A</b>
		SCALE: NONE	SHEET 1 OF 1

L-com (OD) 2019