

# SN54F280B, SN74F280B 9-BIT PARITY GENERATORS/CHECKERS

SDFS008A – D2932, APRIL 1986 – REVISED OCTOBER 1993

- Generates Either Odd or Even Parity for Nine Data Lines
- Cascadable for N-Bits Parity
- Package Options Include Plastic Small-Outline Packages, Ceramic Chip Carriers, and Standard Plastic and Ceramic 300-mil DIPs

## description

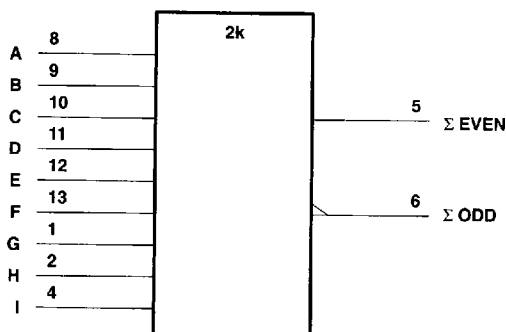
These universal, monolithic, 9-bit parity generators/checkers feature odd and even outputs to facilitate operation of either odd or even parity application. The word-length capability is easily expanded by cascading.

The SN54F280B is characterized for operation over the full military temperature range of  $-55^{\circ}\text{C}$  to  $125^{\circ}\text{C}$ . The SN74F280B is characterized for operation from  $0^{\circ}\text{C}$  to  $70^{\circ}\text{C}$ .

FUNCTION TABLE

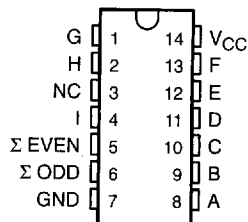
NO. OF INPUTS A THRU I THAT ARE HIGH	OUTPUTS	
	$\Sigma$ EVEN	$\Sigma$ ODD
0, 2, 4, 6, 8	H	L
1, 3, 5, 7, 9	L	H

## logic symbol

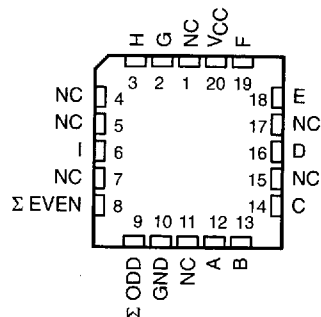


† This symbol is in accordance with ANSI/IEEE Std 91-1984 and IEC Publication 617-12. Pin numbers shown are for the D, J, and N packages.

SN54F280B ... J PACKAGE  
SN74F280B ... D OR N PACKAGE  
(TOP VIEW)



SN54F280B ... FK PACKAGE  
(TOP VIEW)



NC – No internal connection

PRODUCTION DATA information is current as of publication date. Products conform to specifications per the terms of Texas Instruments standard warranty. Production processing does not necessarily include testing of all parameters.

 **TEXAS  
INSTRUMENTS**

POST OFFICE BOX 655303 • DALLAS, TEXAS 75265

Copyright © 1993, Texas Instruments Incorporated

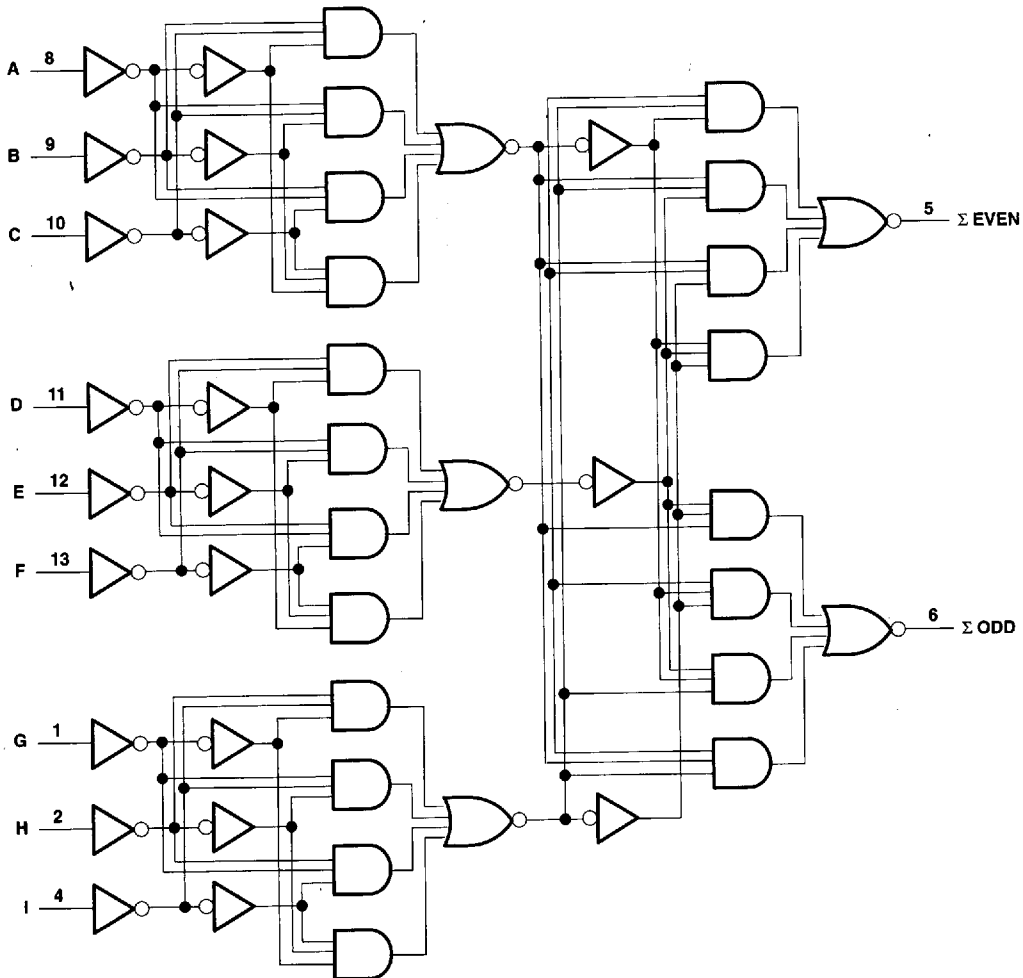
8961723 0096491 198

2-203

# SN54F280B, SN74F280B 9-BIT PARITY GENERATORS/CHECKERS

SDFS008A - D2932, APRIL 1986 - REVISED OCTOBER 1993

logic diagram (positive logic)



Pin numbers shown are for the D, J, and N packages.

# SN54F280B, SN74F280B 9-BIT PARITY GENERATORS/CHECKERS

SDFS008A - D2932, APRIL 1966 - REVISED OCTOBER 1993

## absolute maximum ratings over operating free-air temperature range (unless otherwise noted)†

Supply voltage range, $V_{CC}$ .....	-0.5 V to 7 V
Input voltage range (see Note 1) .....	-1.2 V to 7 V
Input current range .....	-30 mA to 5 mA
Voltage range applied to any output in the high state .....	-0.5 V to $V_{CC}$
Current into any output in the low state .....	40 mA
Operating free-air temperature range: SN54F280B .....	-55°C to 125°C
SN74F280B .....	0°C to 70°C
Storage temperature range .....	-65°C to 150°C

† Stresses beyond those listed under "absolute maximum ratings" may cause permanent damage to the device. These are stress ratings only and functional operation of the device at these or any other conditions beyond those indicated under "recommended operating conditions" is not implied. Exposure to absolute-maximum-rated conditions for extended periods may affect device reliability.

NOTE 1: The input voltage ratings may be exceeded provided the input current ratings are observed.

## recommended operating conditions

		SN54F280B			SN74F280B			UNIT
		MIN	NOM	MAX	MIN	NOM	MAX	
$V_{CC}$	Supply voltage	4.5	5	5.5	4.5	5	5.5	V
$V_{IH}$	High-level input voltage	2			2			V
$V_{IL}$	Low-level input voltage	0.8			0.8			V
$I_{IK}$	Input clamp current	-18			-18			mA
$I_{OH}$	High-level output current	-1			-1			mA
$I_{OL}$	Low-level output current	20			20			mA
$T_A$	Operating free-air temperature	-55	125		0	70		°C

## electrical characteristics over recommended operating free-air temperature range (unless otherwise noted)

PARAMETER	TEST CONDITIONS	SN54F280B			SN74F280B			UNIT
		MIN	TYP‡	MAX	MIN	TYP‡	MAX	
$V_{IK}$	$V_{CC} = 4.5$ V, $I_I = -18$ mA	-1.2			-1.2			V
$V_{OH}$	$V_{CC} = 4.5$ V, $I_{OH} = -1$ mA	2.5	3.4		2.5	3.4	V	
	$V_{CC} = 4.75$ V, $I_{OH} = -1$ mA				2.7			
$V_{OL}$	$V_{CC} = 4.5$ V, $I_{OL} = 20$ mA	0.3	0.5		0.3	0.5	V	
$I_I$	$V_{CC} = 0$ , $V_I = 7$ V	0.1			0.1			mA
$I_{IH}$	$V_{CC} = 5.5$ V, $V_I = 2.7$ V	20			20			µA
$I_{IL}$	$V_{CC} = 5.5$ V, $V_I = 0.5$ V	-20			-20			µA
$I_{OS}§$	$V_{CC} = 5.5$ V, $V_O = 0$	-60	-150		-60	-150		mA
$I_{CC}$	$V_{CC} = 5.5$ V, $V_I = 0$	26	35		26	35		mA

‡ All typical values are at  $V_{CC} = 5$  V,  $T_A = 25$ °C.

§ Not more than one output should be shorted at a time, and the duration of the short circuit should not exceed one second.



# SN54F280B, SN74F280B 9-BIT PARITY GENERATORS/CHECKERS

SDFS008A - D2932, APRIL 1986 - REVISED OCTOBER 1993

## switching characteristics (see Note 2)

PARAMETER	FROM (INPUT)	TO (OUTPUT)	V <sub>CC</sub> = 5 V, C <sub>L</sub> = 50 pF, R <sub>L</sub> = 500 Ω, T <sub>A</sub> = 25°C			V <sub>CC</sub> = 4.5 V to 5.5 V, C <sub>L</sub> = 50 pF, R <sub>L</sub> = 500 Ω, T <sub>A</sub> = MIN to MAX†				UNIT
			F280B			SN54F280B		SN74F280B		
			MIN	TYP	MAX	MIN	MAX	MIN	MAX	
t <sub>PLH</sub>	Any input	Σ EVEN	3.2	6.1	9	2.7	13	2.7	10	ns
t <sub>PHL</sub>			3.2	6.6	10	2.7	15	2.7	11	
t <sub>PLH</sub>	Any input	Σ ODD	3.2	6.1	9	2.7	14	2.7	10	ns
t <sub>PHL</sub>			3.2	6.6	10	2.7	14	2.7	11	

† For conditions shown as MIN or MAX, use the appropriate value specified under recommended operating conditions.

NOTE 2: Load circuits and waveforms are shown in Section 1.