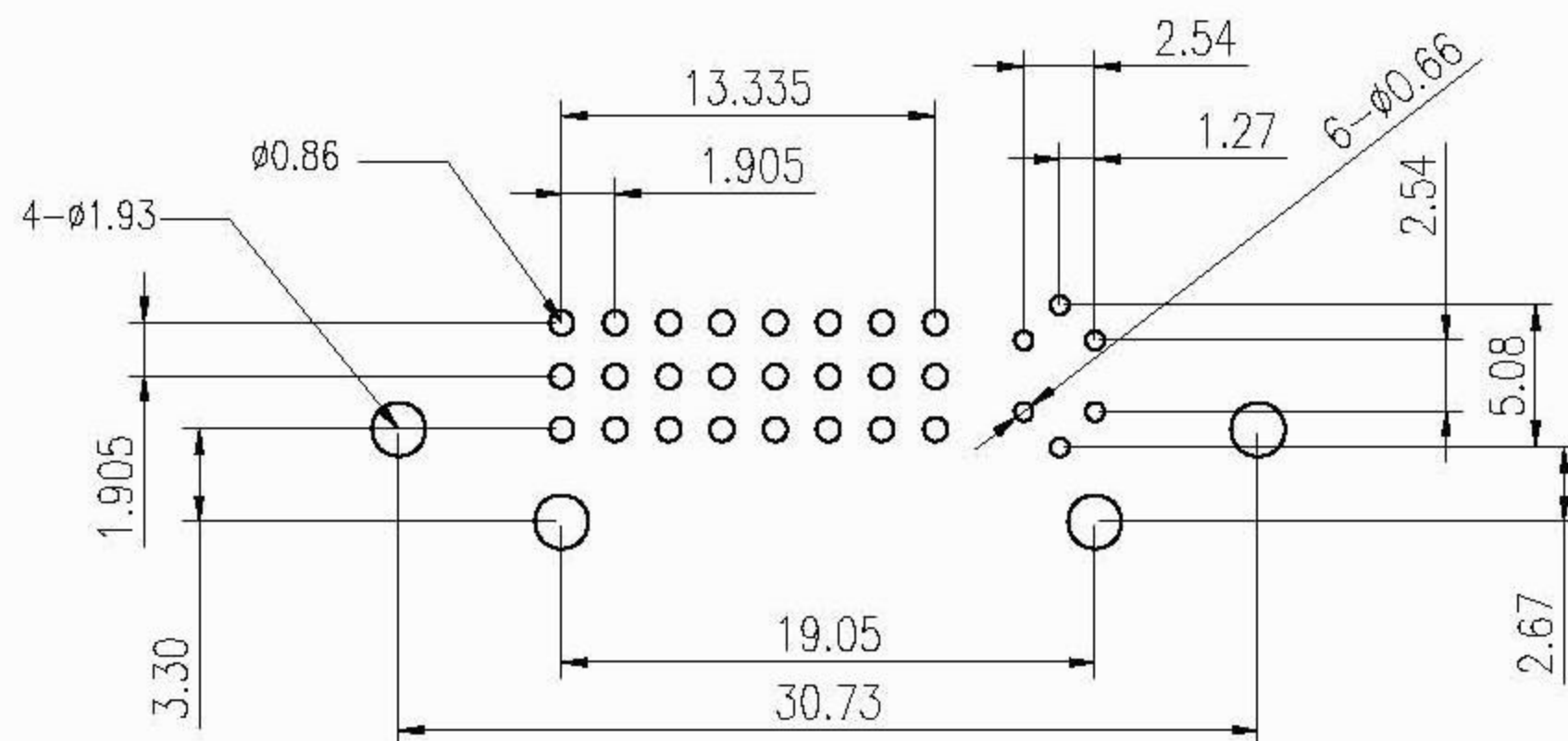
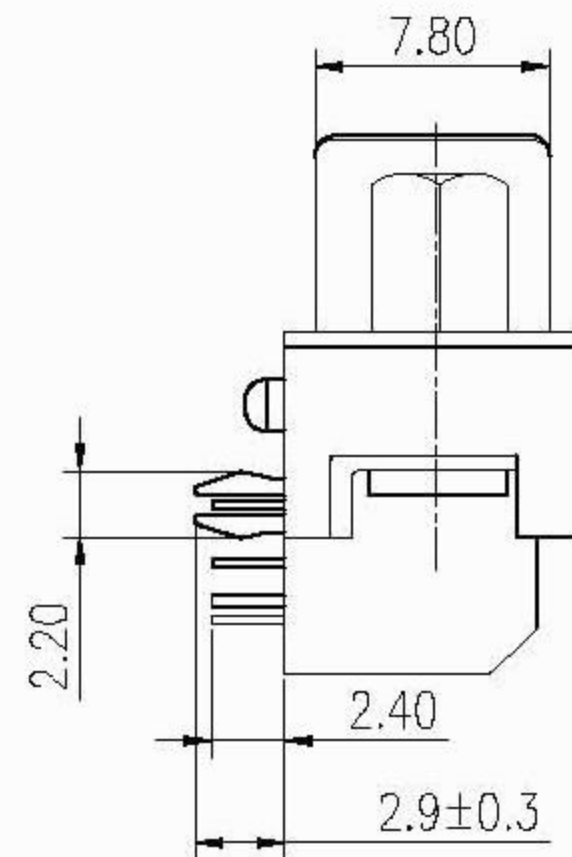
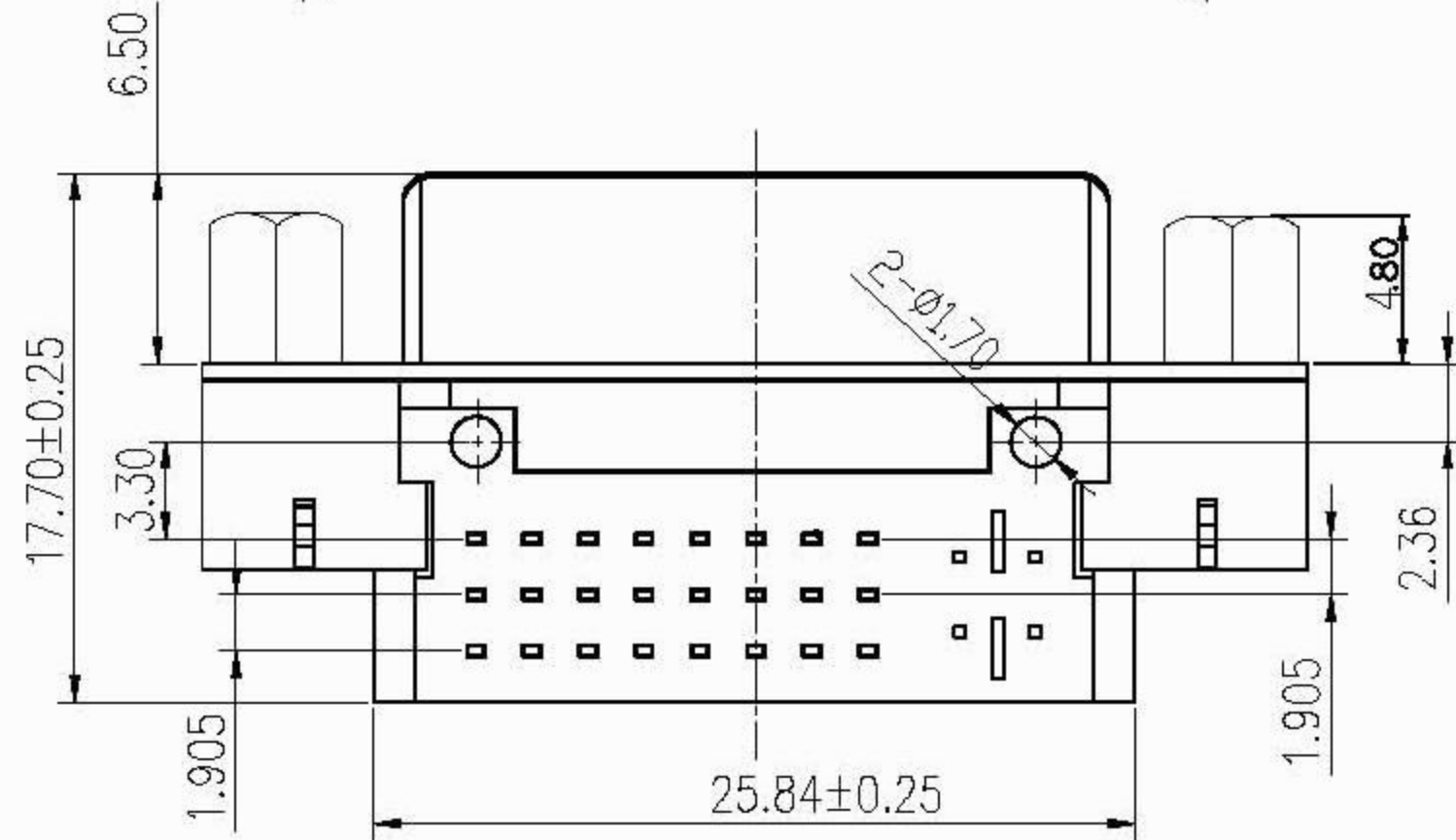
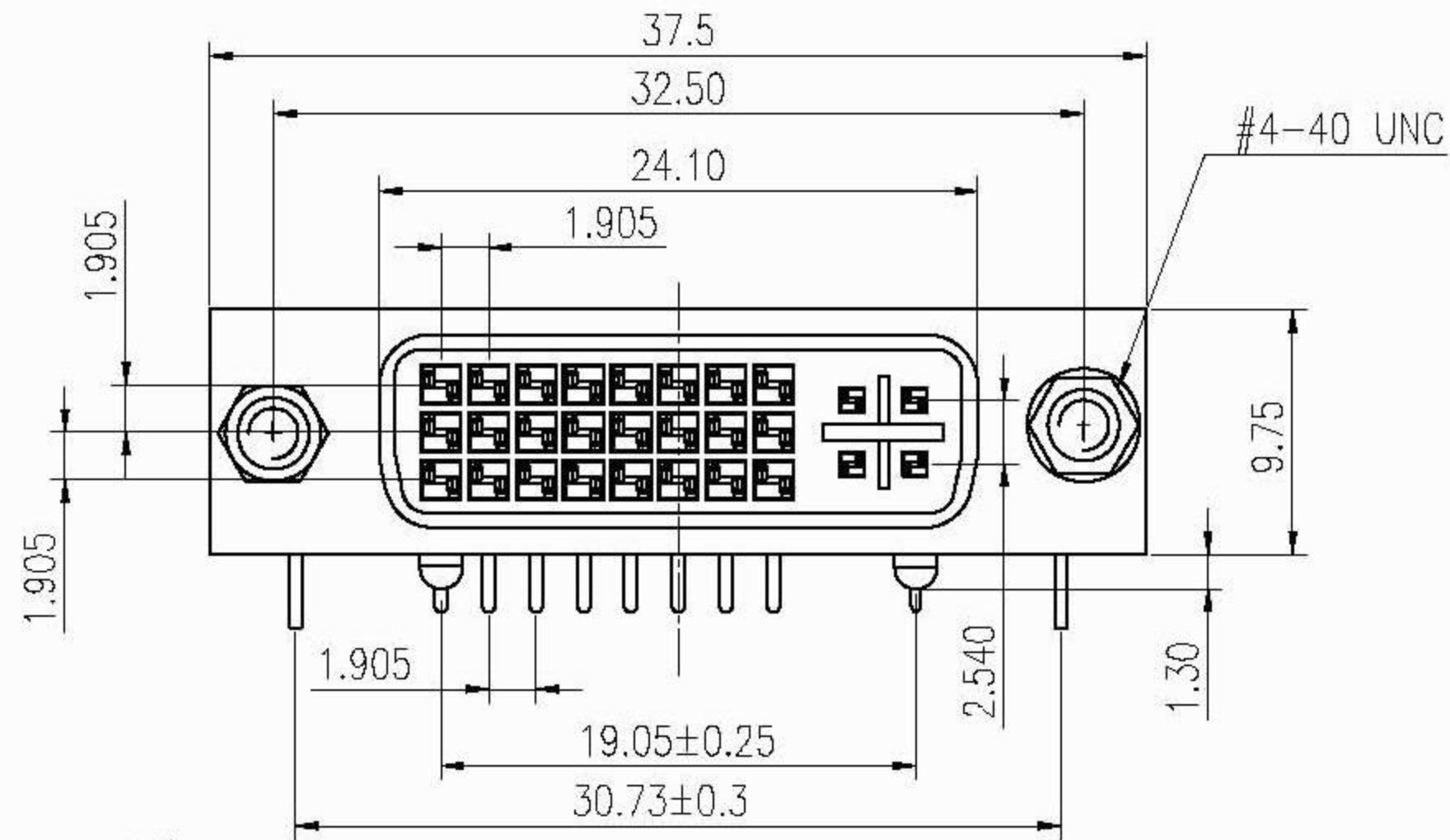


Mark	ECN NO.	DESCRIPTION	DESIGN	Date:



P.C.B LAYOUT(TOP VIEW)

NOTE:

- BODY: PBT+30%G.F UL94V-0
- SPACER: PA66+30%G.F UL94V-0
- CONTACTS: COPPER ALLOY
- CONTACT : COPPER ALLOY
- CONTACT : UNDER PLATED NICKEL,
OVER ALL TIN IN SOLDERING AREA,
SELECTIVE GOLD PLATED IN CONTACT AREA.
- SHIELD : SPCC T=0.5
- SHIELD : NICKEL PLATED.
UNDER PLATED Cu.
- BOARD LOCK:SPCC ,Tin PLATED.
- RIVET : COPPER ALLOY , NICKEL PLATED.
- SCREW : Fe,NICKEL PLATED.
- *MECHANICAL
 - MATING FORCE: 4.5 KG MAX. 25 MM/MINUTE
 - UNMATING FORCE: 1.0-4.0 KG MIN.
 - DURABILITY: 100 MATING CYCLES
- *ELECTRICAL SPECIFICATION
 - INSULATION RESISTANCE: 1000 MEGOHMS MIN
 - DIELECTRIC WITHSTANDING VOLTAGE: 500V ACRMS±50V.60 HZ
 - CURRENT RATING: 1.5 AMPERES MIN
- *ENVIRONMENTAL
 - OPERRATING TEMPERATURE: -20°C to 85°C

Tolerance X.X ±0.25 X.XX ±0.15 X.XXX ±0.10 Angle ±2.0°	Model Name: DVI 24+5PIN 锁铆4.8螺母			Drawing: Zengling
	Model No: XDVF-0934-0246			Checked: Lijian
	UNIT: mm	SCALE: FULL	REVISION: A1	SHEET 1/1
	Date: 2011.08.23			Approved: WEI JI YANG
 深圳市连欣科技有限公司			DWG NO.	
			FILE: C	