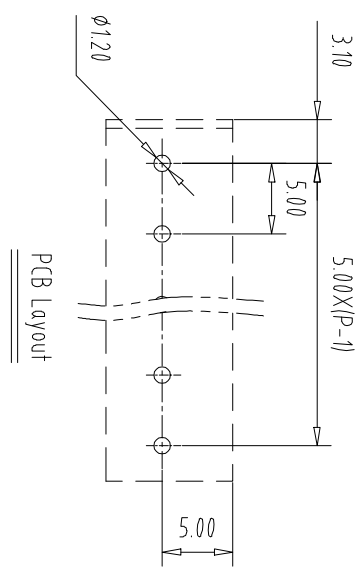
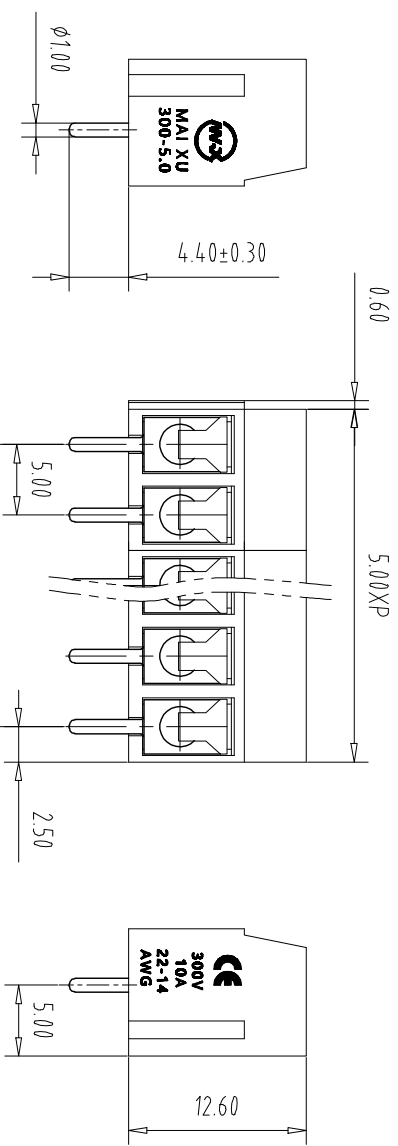
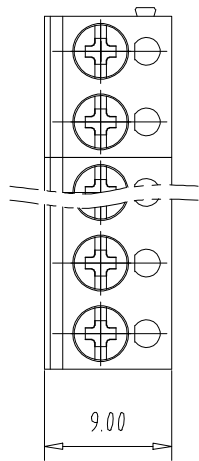


注：本板为禁止传输、复制、编辑文件，以及用其内容进行交流



REV	ECN NO.	CONTENT	CHK	DATE

- NOTES1:
 UL Standard
 1.Rating voltage/current: 300V//10A
 2.withstanding voltage: AC2000V//1Min
 3.Torque value: M3, 4.43Lb.in
 4.Wire range: 22~14AWG
 IEC Standard

Pollution Degree	3	2	2
Overvoltage Category	III	II	II
Rate Impulse Voltage(kV)	/	/	/
Rate Voltage(V)	/	250V	/
Rate Current(A)	/	15A	/

- NOTES2:
 1.Housing: PA66(UL94V-0)
 2.Solder Pin: Copper alloy(Sn Plated)
 3.Spring: Stainless Steel
 4.Screw: Steel(M3,Zn Plated)

- NOTES3:
 1.Pitch: 5.0mm Poles: 02-24P
 2.Stripping length: 5-6mm
 3.Operating temperature: -40℃~+105℃
 4.RoHS Compliance

How to order
 MX300 - 50 - XXP - XXXX - XX - X - X - X

产品型号 间距 颜色: 01:常规颜色
 灰色:GY 绿色:OE 02-99:
 蓝色:BU 红色:RD 定制颜色
 黑色:BK 透明色:TT
 绿色:GN 黄色:YW
 透明色:TT 白色:WE
 板数
 A-其他定制
 0.Y一字螺丝
 1.S十字螺丝
 Cu铜方块
 Fe铁方块
 2.PS平头十字螺丝

Pitch Range In mm	Nominal Dimension In mm	Range	Symbol					
Over 6 TO	Over 10 TO	Over 30 TO	Over 60 TO	Over 100 TO	Over 150 TO	Over 150 TO	0.1/10	
±0.15	±0.20	±0.30	±0.30	±0.50	±0.70	±1.00	±1.30	±2°

ITEM	NAME OF PART	NO. OF PART	Q'TY	MATERIAL	NOTE
DWG	CHK	DATE	UNITS	MM	SHEET/OF
APP	DATE	SCALE	1:1	A4	1/1
CIXI MAIXU ELECTRONICS CO.,LTD					NAME
东莞市迈旭电子有限公司					MX300-5.0-XXP
DWGNO.					