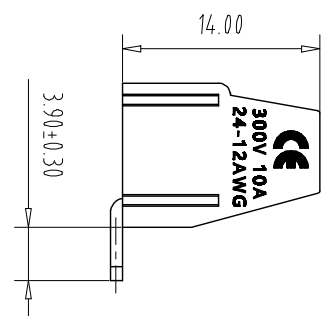
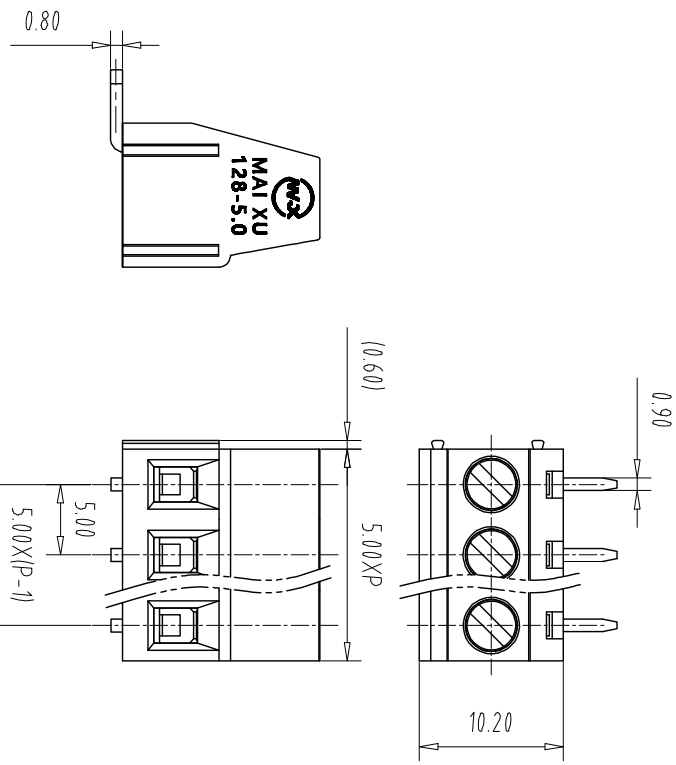


注：本板为禁止运输、复制、翻印文件，以及用其内容进行交易



NOTES1:  
UL Standard  
1.Rating voltage/current: 300V//10A  
2.withstanding voltage: AC2000V//1Min  
3.Torque value: M2.5, 3.54Lb.in  
4.Wire range: 24~12AWG

IEC Standard

|                          |     |      |    |
|--------------------------|-----|------|----|
| 1. Pollution Degree      | 3   | 2    | 2  |
| Overvoltage Category     | III | III  | II |
| Rate Impulse Voltage(kV) | /   | /    | /  |
| Rate Voltage(V)          | /   | 250V | /  |
| Rate Current(A)          | /   | 15A  | /  |

- Torque value: M2.5, 0.4Nm
- wire range: 1.0-2.5mm<sup>2</sup>

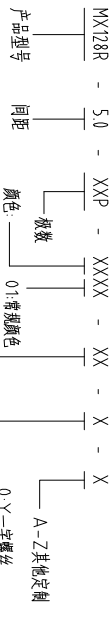
NOTES2:

- Housing: PA66(UL94V-0)
- Solder Pin: Copper alloy(Sn Plated)
- Cage: Brass(Ni Plated)
- Screw: Steel(M2.5,Zn Plated)

NOTES3:

- Pitch: 5.0mm Poles: 02-24P
- Stripping length: 6-7mm
- Operating temperature: -40℃~+105℃
- RoHS Compliance

How to order



- 白色:GY 橙色:OE 02-99:
- 蓝色:BU 红色:RD 定制颜色
- 黑色:BK 透明色:TT
- 绿色:GN 黄色:YW
- 透明色:TT 白色:WE

| Pitch Range In mm | Nominal Dimension In mm | Range      | Symbol     |             |             |             |        |     |
|-------------------|-------------------------|------------|------------|-------------|-------------|-------------|--------|-----|
| Over 6 TO         | Over 10 TO              | Over 30 TO | Over 60 TO | Over 100 TO | Over 150 TO | Over 150 TO | 0.1/10 |     |
| ±0.15             | ±0.20                   | ±0.30      | ±0.30      | ±0.50       | ±0.70       | ±1.00       | ±1.30  | ±2° |

| ITEM                           | NAME OF PART | NO. OF PART | Q'TY           | MATERIAL | NOTE     |     |
|--------------------------------|--------------|-------------|----------------|----------|----------|-----|
| DWG                            | CHK          | DATE        | DATE           | MM       | SHEET/OF | 1/1 |
| APP                            | DATE         | SCALE       | 1:1            | A4       | 1/1      |     |
| CIXI MAIXU ELECTRONICS CO.,LTD |              |             | NAME           |          |          |     |
| MAIXU 慈溪市迈旭电子有限公司              |              |             | MX128R-5.0-XXP |          |          |     |
| DWGNO.                         |              |             |                |          |          |     |