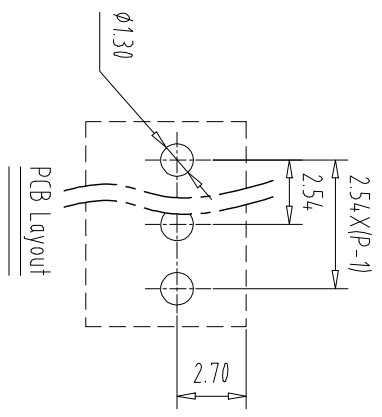
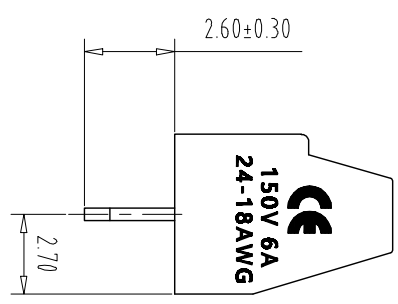
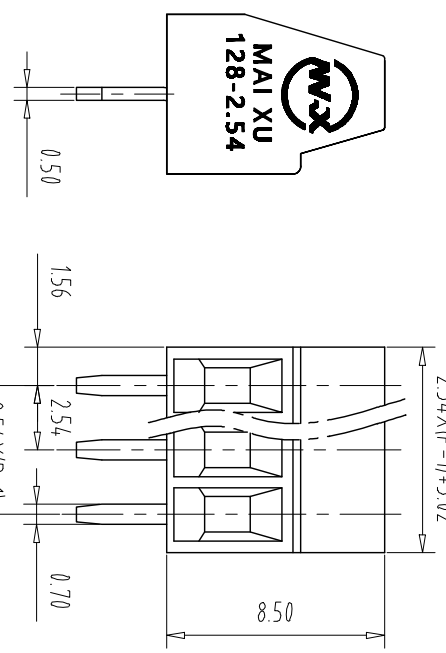
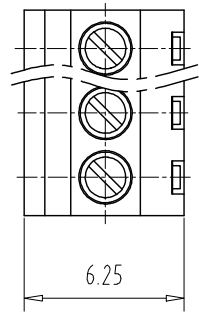


注：本板为禁止运输、复制、翻印文件，以及用其内容进行交流



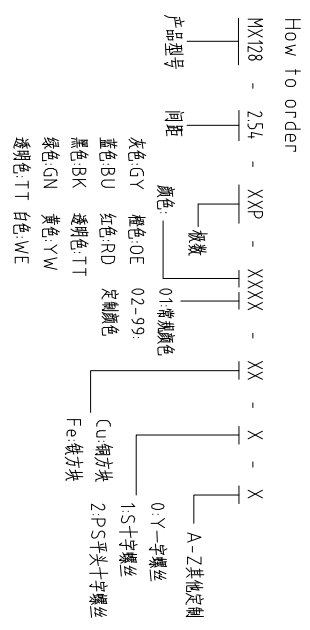
REV	ECN NO.	CONTENT	CHK	DATE

NOTES1:
 UL Standard
 1.Rating voltage/current: 150V/6A
 2.withstanding voltage: AC1300V/1Min
 3.Torque value: M1.6, 0.89Lb.in
 4.Wire range: 24~18AWG
 IEC Standard

Pollution Degree	3	2	2
Overvoltage Category	III	III	II
Rate Impulse Voltage(KV)	1.5	1.5	1.5
Rate Voltage(V)	160V	200V	400V
Rate Current(A)	8A	8A	8A

NOTES2:
 1.Housing: PA66(UL94V-0)
 2.Solder Pin: Copper alloy(Sn Plated)
 3.Cage: Brass(Ni Plated)
 4.Screw: Steel(M1.6,Zn Plated)

NOTES3:
 1.Pitch: 2.54mm Poles: 02-24P
 2.Stripping length: 5-6mm
 3.Operating temperature: -40℃~+105℃
 4.RoHS Compliance



Pitch Range In mm	Nominal Dimension In mm	Range	Symbol					
Over 6	Over 10	Over 30	Over 60	Over 100	Over 150	0.1/10		
TO 6	TO 10	TO 24	TO 30	TO 60	TO 100	150		
±0.15	±0.20	±0.30	±0.30	±0.50	±0.70	±1.00	±1.30	±2°

ITEM	NAME OF PART	NO. OF PART	Q'TY	MATERIAL	NOTE
DWG	CHK	DATE	SCALE	SHEET/OF	1/1
APP	DATE	DATE	SCALE	A4	1/1
CIXI MAIXU ELECTRONICS CO.,LTD			NAME	MX128-2.54-XXP	
MAIXU 慈溪市迈旭电子有限公司			DWGNO.		