

4-Bit Bidirectional Voltage-Level Translator with Auto Direction Sensing and $\pm 4kV$ ESD Protection

UM3304 CSP12 1.9×1.4

UM3304QS QFN14 3.5×3.5

UM3304QT QFN16 2.6×1.8

UM3304QA QFN12 1.7×2.0

UM3304UE TSSOP14

General Description

UM3304/UM3304QS/UM3304QT/UM3304QA/UM3304UE is quad channel level translator with auto direction sensing and $\pm 4kV$ ESD protection. This 4-channel non-inverting translator uses two separate configurable power-supply rails. The A port is designed to track V_{CCA} . V_{CCA} accepts any supply voltage from 1.2V to 3.6V. The B port is designed to track V_{CCB} . V_{CCB} accepts any supply voltage from 1.65V to 5.5V. This allows for universal low-voltage bidirectional translation between any of the 1.2V, 1.5V, 1.8V, 2.5V, 3.3V, and 5V voltage nodes. V_{CCA} should not exceed V_{CCB} . Both I/O ports are auto-sensing; thus, no direction pin is required, making it ideal for data transfer between low-voltage ASICs/PLDs and higher voltage systems.

The UM3304/UM3304QS/UM3304QT/UM3304QA/UM3304UE operates at a guaranteed data rate of 20Mbps over the entire specified operating voltage range. Within specific voltage domains, higher data rates are up to 100Mbps.

When the output-enable (OE) input is low, all outputs are placed in the high-impedance state. The UM3304/UM3304QS/UM3304QT/UM3304QA/UM3304UE is designed so that the OE input circuit is tracked to V_{CCA} .

The UM3304 is a quad level translator available in 1.90mm×1.40mm CSP12 bump package while the UM3304QS is packaged in a 3.50mm×3.50mm QFN14 package, the UM3304QT is packaged in a 2.60mm×1.80mm QFN16 package, the UM3304QA is packaged in 1.70mm×2.00mm QFN12 package and the UM3304UE is packaged in TSSOP14 package.

Applications

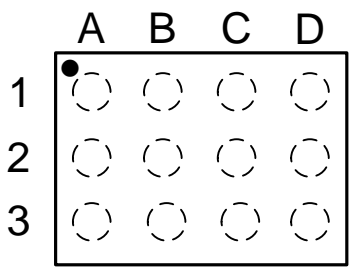
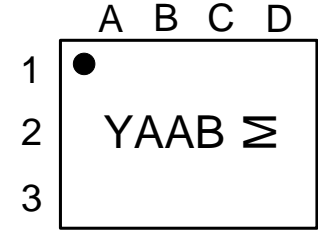
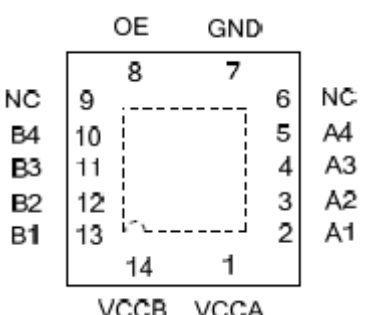
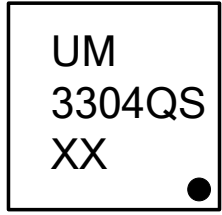
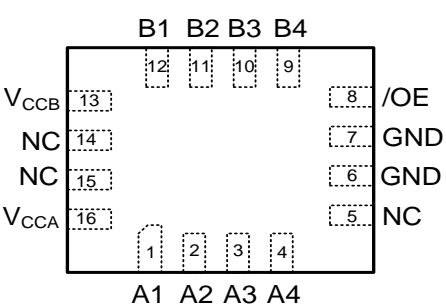

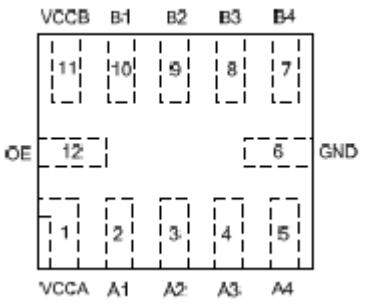
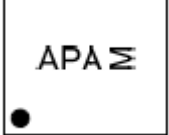
- Low-Voltage ASIC Level Translation
- Cell-Phone Cradles
- Portable POS Systems
- Portable Communication Devices
- Low-Cost Serial Interfaces
- Cell-Phones
- GPS
- Telecommunications Equipment

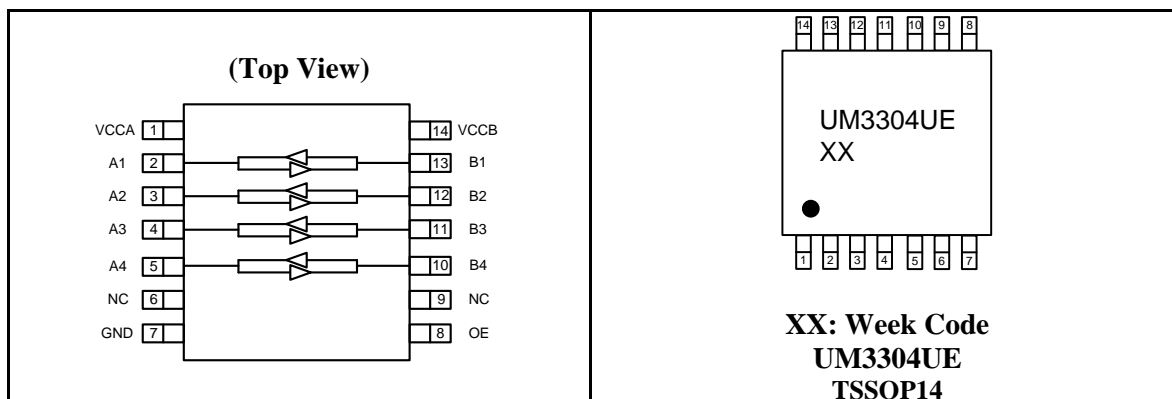
Features

- 1.2V to 3.6V on A Port and 1.65V to 5.5V on B Port ($V_{CCA} \leq V_{CCB}$)
- V_{CC} Isolation Feature – If Either V_{CC} Input is at GND, All Outputs are in the High-Impedance State
- OE Input Circuit Referenced to V_{CCA}
- Low Power Consumption
- Latch-Up Performance Exceeds 100mA
- $\pm 4kV$ ESD Protection on B Ports

Pin Configurations

Top View

<p>(Top View)</p> 	 <p>M: Month Code UM3304 CSP12 1.9×1.4</p>
<p>(Top View)</p> 	 <p>XX: Week Code UM3304QS QFN14 3.5×3.5</p>
<p>(Top View)</p> 	 <p>XX: Week Code UM3304QT QFN16 2.6×1.8</p>
<p>(Top View)</p> 	 <p>M: Month Code UM3304QA QFN12 1.7×2.0</p>



Ball Mapping for UM3304

	A	B	C	D
1	A1	A2	A3	A4
2	V _{CCB}	V _{CCA}	OE	GND
3	B1	B2	B3	B4

Transparent Top View

Pin Description

Pin Name	Function
V _{CCA}	A-Port Supply Voltage. $1.2V \leq V_{CCA} \leq 3.6V$ and $V_{CCA} \leq V_{CCB}$
A1	Input/Output 1. Referenced to V _{CCA}
A2	Input/Output 2. Referenced to V _{CCA}
A3	Input/Output 3. Referenced to V _{CCA}
A4	Input/Output 4. Referenced to V _{CCA}
NC	Not Connected. (Except for UM3304)
GND	Ground
OE	3-State Output Enable. Pull OE low to place all outputs in 3-state mode. Referenced to V _{CCA}
NC	Not Connected. (Except for UM3304)
B4	Input/Output 4. Referenced to V _{CCB}
B3	Input/Output 3. Referenced to V _{CCB}
B2	Input/Output 2. Referenced to V _{CCB}
B1	Input/Output 1. Referenced to V _{CCB}
V _{CCB}	B-Port Supply Voltage. $1.65V \leq V_{CCB} \leq 5.5V$
NC	Not Connected. (Only for UM3304QT)
GND	Ground. (Only for UM3304QT)

Ordering Information

Part Number	Packaging Type	Marking Code	Shipping Qty
UM3304	CSP12 1.9×1.4	YAAB	3000pcs/7Inch Tape & Reel
UM3304QS	QFN14 3.5×3.5	UM3304QS	3000pcs/13Inch Tape & Reel
UM3304QT	QFN16 2.6×1.8	3304	3000pcs/7Inch Tape & Reel
UM3304QA	QFN12 1.7×2.0	APA	3000pcs/7Inch Tape & Reel
UM3304UE	TSSOP14	UM3304UE	3000pcs/13Inch Tape & Reel

Absolute Maximum Ratings (Note 1)

Over operating free-air temperature range (unless otherwise noted)

Symbol	Parameter	Value	Unit
V_{CCA}	Supply Voltage Range	-0.5 to +4.5	V
V_{CCB}	Supply Voltage Range	-0.5 to +6.5	V
V_I	Input Voltage Range	A ports	-0.5 to +4.5
		B ports	-0.5 to +6.5
V_O	Voltage Range Applied to Any Output in the High-Impedance or Power-Off State	A ports	-0.5 to +4.5
		B ports	-0.5 to +6.5
V_O	Voltage Range Applied to Any Output in the High or Low State (Note 2)	A ports	-0.5 to ($V_{CCA}+0.5$)
		B ports	-0.5 to ($V_{CCB}+0.5$)
I_{IK}	Input Clamp Current	$V_I < 0$	-50
I_{OK}	Output Clamp Current	$V_O < 0$	-50
I_O	Continuous Output Current		±50
	Continuous Current through V_{CCA} , V_{CCB} , or GND		±100
T_{OP}	Operating Temperature Range		-40 to +85
T_J	Junction Temperature		-40 to +165
T_{STG}	Storage Temperature Range		-65 to +150

Note 1. Stresses beyond those listed under "absolute maximum ratings" may cause permanent damage to the device. These are stress ratings only, and functional operation of the device at these or any other conditions beyond those indicated under "recommended operating conditions" is not implied. Exposure to absolute-maximum-rated conditions for extended periods may affect device reliability.

Note 2. The value of V_{CCA} and V_{CCB} are provided in the recommended operating conditions table.

Recommended Operating Conditions (Note 1, 2)

Symbol	Parameter		V _{CCA}	V _{CCB}	Min	Max	Unit
V _{CCA}	Supply Voltage				1.2	3.6	V
V _{CCB}					1.65	5.5	V
V _{IH}	High Level Input Voltage	Data Inputs	1.2V to 3.6V	1.65V to 5.5V	V _{CCI} × 0.65 ^(Note3)	V _{CCI}	V
		OE	1.2V to 3.6V	1.65V to 5.5V	V _{CCA} × 0.65	5.5	V
V _{IL}	Low Level Input Voltage	Data Inputs	1.2V to 3.6V	1.65V to 5.5V	0	V _{CCI} × 0.35 ^(Note3)	V
		OE	1.2V to 3.6V	1.65V to 5.5V	0	V _{CCA} × 0.35	V
V _O	Voltage Range Applied to Any Output in the High-Impedance or Power-Off State	A-Port	1.2V to 3.6V	1.65V to 5.5V	0	3.6	V
		B-Port			0	5.5	
Δt/ΔV	Input Transition Rise or Fall Time	A-Port Inputs	1.2V to 3.6V	1.65V to 5.5V		40	ns/V
		B-Port Inputs	1.2V to 3.6V	1.65V to 3.6V		40	
				4.5V to 5.5V		30	

Note 1. The A and B sides of an unused data I/O pair must be held in the same state, i.e., both at V_{CCI} or both at GND.

Note 2. V_{CCA} must be less than or equal to V_{CCB} and must not exceed 3.6 V.

Note 3. V_{CCI} is the supply voltage associated with the input port.

Thermal Information

Thermal Metric	UM3304	UM3304QS	UM3304QT	UM3304QA	UM3304UE	UNIT
R _{θJA}	127.1	52.8	96.3	119.8	121	°C/W
R _{θJC}	92.8	27.7	32.5	42.6	50	

Electrical Characteristics (Note 1, 2)

Over recommended operating free-air temperature range (unless otherwise noted)

Parameter	Test Conditions	V _{CCA}	V _{CCB}	T _A =25 °C		-40 °C to 85 °C		Unit
				Min	Max	Min	Max	
V _{OHA}	I _{OH} =-20μA	1.2V		1.1		V _{CCA} -0.4		V
		1.4V to 3.6V						
V _{OLA}	I _{OL} =20μA	1.2V		0.3		0.4		V
		1.4V to 3.6V						
V _{OHB}	I _{OH} =-20μA		1.65V to 5.5V			V _{CCB} -0.4		V
V _{OLB}	I _{OL} =20μA		1.65V to 5.5V			0.4		V
I _I	OE	V _I =V _{CC1} or GND	1.2V to 3.6V	1.65V to 5.5V	±1	±2		μA
I _{off}	A Port	V _I or V _O =0 to 3.6V	0V	0V to 5.5V	±1	±2		μA
	B Port	V _I or V _O =0 to 5.5V	0V to 3.6V	0V	±1	±2		
I _{OZ}	A or B Port	OE=GND	1.2V to 3.6V	1.65V to 5.5V	±1	±2		μA
I _{CCA}	V _I =V _{CC1} or GND I _O =0	1.2V	1.65V to 5.5V			5		μA
		1.4V to 3.6V	1.65V to 5.5V			5		
		3.6V	0V			2		
		0V	5.5V			-2		
I _{CCB}	V _I =V _{CC1} or GND I _O =0	1.2V	1.65V to 5.5V			5		μA
		1.4V to 3.6V	1.65V to 5.5V			5		
		3.6V	0V			-2		
		0V	5.5V			2		
I _{CCA} +I _{CCB}	V _I =V _{CC1} or GND I _O =0	1.2V	1.65V to 5.5V			10		μA
		1.4V to 3.6V	1.65V to 5.5V			10		
I _{CCZA}	V _I =V _{CC1} or GND I _O =0, OE=GND	1.2V	1.65V to 5.5V			5		μA
		1.4V to 3.6V	1.65V to 5.5V			5		
I _{CCZB}	V _I =V _{CC1} or GND I _O =0, OE=GND	1.2V	1.65V to 5.5V			5		μA
		1.4V to 3.6V	1.65V to 5.5V			5		
C _i	OE		1.2V to 3.6V	1.65V to 5.5V	3	4		pF
C _{iO}	A Port		1.2V to 3.6V	1.65V to 5.5V	5	6		pF
	B Port				11	14		

 Note 1. V_{CC1} is the supply voltage associated with the input port.

 Note 2. V_{CC0} is the supply voltage associated with the output port.

Switching Characteristics
 $T_A=+25\text{ }^\circ\text{C}$, $V_{CCA}=1.2\text{V}$

Parameter	From (Input)	To (Output)	$V_{CCB}=1.8\text{V}$	$V_{CCB}=2.5\text{V}$	$V_{CCB}=3.3\text{V}$	$V_{CCB}=5\text{V}$	Unit
			Typ	Typ	Typ	Typ	
t_{pd}	A	B	7	6	5.3	5.5	ns
	B	A	7.5	6.5	6	6	
t_{en}	OE	A	1	1	1	1	μs
		B	1	1	1	1	
t_{dis}	OE	A	18	16	14	14	ns
		B	19	17	15	15	
t_{rA}, t_{fA}	A Port Rise and Fall Time		5	5	5	5	ns
t_{rB}, t_{fB}	B Port Rise and Fall Time		2.5	1.5	1.2	1	ns
$t_{SK(O)}$	Channel-to-Channel		0.5	0.5	0.5	1.5	ns
Max Data Rate			20	20	20	20	Mbps

Switching Characteristics

 Over recommended operating free-air temperature range, $V_{CCA}=1.5\text{V}\pm 0.1\text{V}$ (unless otherwise noted)

Parameter	From (Input)	To (Output)	$V_{CCB}=1.8\text{V}\pm 0.15\text{V}$		$V_{CCB}=2.5\text{V}\pm 0.2\text{V}$		$V_{CCB}=3.3\text{V}\pm 0.3\text{V}$		$V_{CCB}=5\text{V}\pm 0.5\text{V}$		Unit
			Min	Max	Min	Max	Min	Max	Min	Max	
t_{pd}	A	B	2	15	1.2	11	1.1	10	1	10	ns
	B	A	1	15	0.9	12	0.5	12	0.3	13	
t_{en}	OE	A		1		1		1		1	μs
		B		1		1		1		1	
t_{dis}	OE	A	6	30	5.5	28	5.5	25	5.5	23	ns
		B	5.5	30	5	25	5	20	5	20	
t_{rA}, t_{fA}	A Port Rise and Fall Time		1.5	5.0	1.5	5.0	1.5	5.0	1.5	5.0	ns
t_{rB}, t_{fB}	B Port Rise and Fall Time		0.9	4.5	0.6	3.5	0.5	3	0.4	2.5	ns
$t_{SK(O)}$	Channel-to-Channel			0.5		0.5		0.5		0.5	ns
Max Data Rate			40		40		40		40		Mbps

Switching Characteristics

Over recommended operating free-air temperature range, $V_{CCA}=1.8V \pm 0.15V$ (unless otherwise noted)

Parameter	From (Input)	To (Output)	$V_{CCB}=1.8V \pm 0.15V$		$V_{CCB}=2.5V \pm 0.2V$		$V_{CCB}=3.3V \pm 0.3V$		$V_{CCB}=5V \pm 0.5V$		Unit
			Min	Max	Min	Max	Min	Max	Min	Max	
t_{pd}	A	B	1.6	10	1.4	9	1.3	7	1.2	6.5	ns
	B	A	1.5	12	1.3	8.5	1	8	0.9	8	
t_{en}	OE	A		1		1		1		1	μs
		B		1		1		1		1	
t_{dis}	OE	A	6	34	5.5	23	5	20	5	17.6	ns
		B	5.5	33	4.5	22	4.2	16.8	4.4	16.3	
t_{rA}, t_{fA}	A Port Rise and Fall Time		1	4.2	1.1	4.0	1.1	4.0	1.1	4.0	ns
t_{rB}, t_{fB}	B Port Rise and Fall Time		0.9	4	0.6	3.2	0.5	2.8	0.4	2.8	ns
$t_{SK(O)}$	Channel-to-Channel			0.5		0.5		0.5		0.5	ns
Max Data Rate			60		60		60		60		Mbps

Switching Characteristics

Over recommended operating free-air temperature range, $V_{CCA}=2.5V \pm 0.2V$ (unless otherwise noted)

Parameter	From (Input)	To (Output)	$V_{CCB}=2.5V \pm 0.2V$		$V_{CCB}=3.3V \pm 0.3V$		$V_{CCB}=5V \pm 0.5V$		Unit
			Min	Max	Min	Max	Min	Max	
t_{pd}	A	B	1.1	6.5	1	5.2	0.9	5	ns
	B	A	1.2	6.6	1.1	5.1	0.9	4.4	
t_{en}	OE	A		1		1		1	μs
		B		1		1		1	
t_{dis}	OE	A	5.0	23	4.6	15.2	4.6	13	ns
		B	4.4	22	3.8	16	3.9	13.3	
t_{rA}, t_{fA}	A Port Rise and Fall Time		0.8	3	0.8	3	0.8	3	ns
t_{rB}, t_{fB}	B Port Rise and Fall Time		0.7	2.7	0.5	2.8	0.4	2.7	ns
$t_{SK(O)}$	Channel-to-Channel			0.5		0.5		0.5	ns
Max Data Rate			100		100		100		Mbps

Switching Characteristics

Over recommended operating free-air temperature range, $V_{CCA}=3.3V\pm 0.3V$ (unless otherwise noted)

Parameter	From (Input)	To (Output)	$V_{CCB}=3.3V\pm 0.3V$		$V_{CCB}=5V\pm 0.5V$		Unit
			Min	Max	Min	Max	
t_{pd}	A	B	0.9	5	0.8	4	ns
	B	A	1	5.1	0.9	4	
t_{en}	OE	A		1		1	μs
		B		1		1	
t_{dis}	OE	A	5	15	4	13	ns
		B	4	16	3.4	13.8	
t_{rA}, t_{fA}	A Port Rise and Fall Time		0.7	2.5	0.7	2.5	ns
t_{rB}, t_{fB}	B Port Rise and Fall Time		0.5	2.1	0.4	2.8	ns
$t_{SK(O)}$	Channel-to-Channel			0.5		0.5	ns
Max Data Rate			100		100		Mbps

Operating Characteristics

$T_A=+25^\circ C$

Parameter		Test Conditions	V_{CCB}						Unit	
			5V	1.8V	1.8V	1.8V	2.5V	5V		3.3V to 5V
			V_{CCA}							
			1.2V	1.2V	1.5V	1.8V	2.5V	2.5V		3.3V
			Typ	Typ	Typ	Typ	Typ	Typ	Typ	Typ
C_{pdA}	A-Port Input B-Port Output	$C_L=0,$ $f=10MHz,$ $t_r=t_f=1ns,$ $OE=V_{CCA}$	9	10	10	10	10	10	10	pF
	B-Port Input A-Port Output		12	11	11	11	11	11	11	
C_{pdB}	A-Port Input B-Port Output		35	28	28	29	3.0	30	30	
	B-Port Input A-Port Output		27	19	19	19	20	21	23	
C_{pdA}	A-Port Input B-Port Output	$C_L=0,$ $f=10MHz,$ $t_r=t_f=1ns,$ $OE=GND$	0.01	0.01	0.01	0.01	0.01	0.01	0.01	pF
	B-Port Input A-Port Output		0.01	0.01	0.01	0.01	0.01	0.01	0.01	
C_{pdB}	A-Port Input B-Port Output		0.01	0.01	0.01	0.01	0.01	0.01	0.03	
	B-Port Input A-Port Output		0.01	0.01	0.01	0.01	0.01	0.01	0.05	

Applications Information

UM3304/UM3304QS/UM3304QT/UM3304QA/UM3304UE ESD protected level translator provides level shifting necessary to allow data transfer in a multi-voltage system. Externally applied voltages, V_{CCA} and V_{CCB} set the logic levels on either side of device. A low voltage signal present on V_{CCA} side of the device appears as a high voltage logic signal on the V_{CCB} side of the device, and vice-versa.

Block Diagram

The UM3304/UM3304QS/UM3304QT/UM3304QA/UM3304UE (block diagram see Figure 1) does not require a direction-control signal to control the direction of data flow from A to B or from B to A. In a dc state, the output drivers of the UM3304/UM3304QS/UM3304QT/UM3304QA/UM3304UE can maintain a high or low, but are designed to be weak, so that they can be overdriven by an external driver when data on the bus starts flowing to the opposite direction.

The output one shot detects rising or falling edges on the A or B ports. During a rising edge, the one shot turns on the PMOS transistors (T1, T3) for a short duration, which speeds up the low-to-high transition. Similarly, during a falling edge, the one shot turns on the NMOS transistors (T2, T4) for a short duration, which speeds up the high-to-low transition.

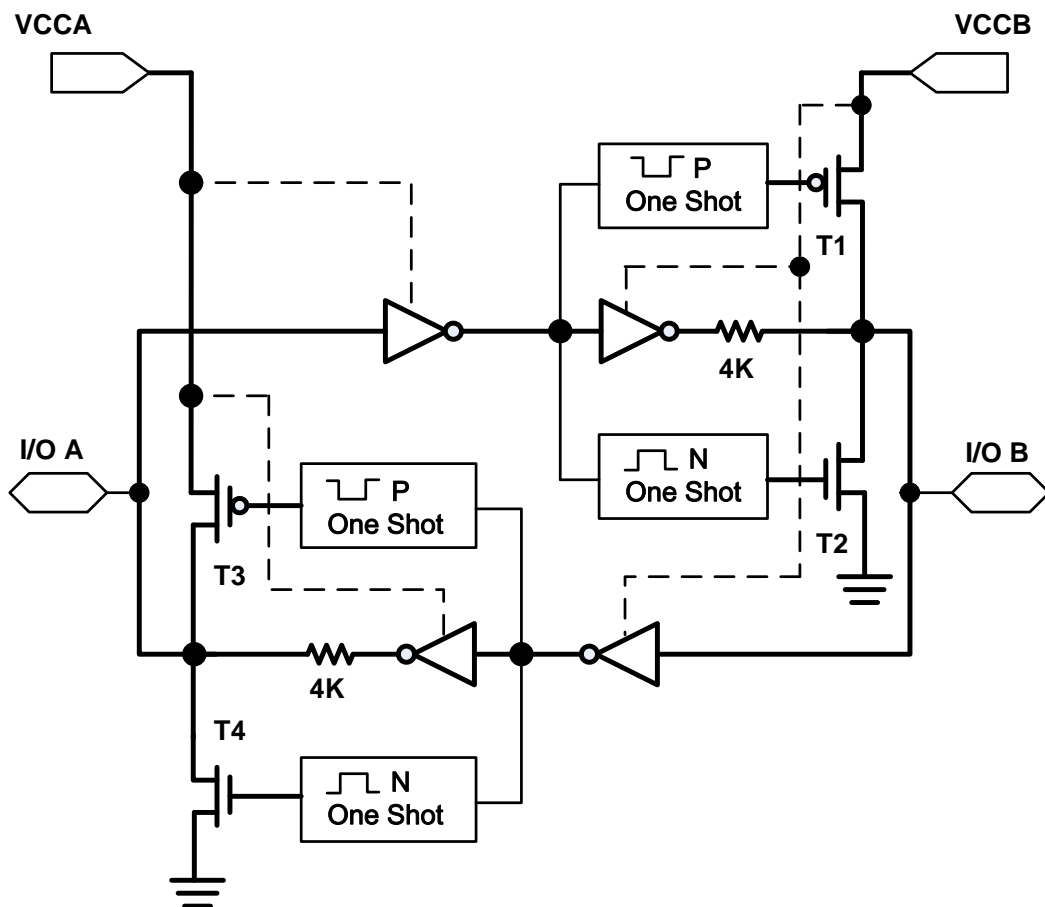
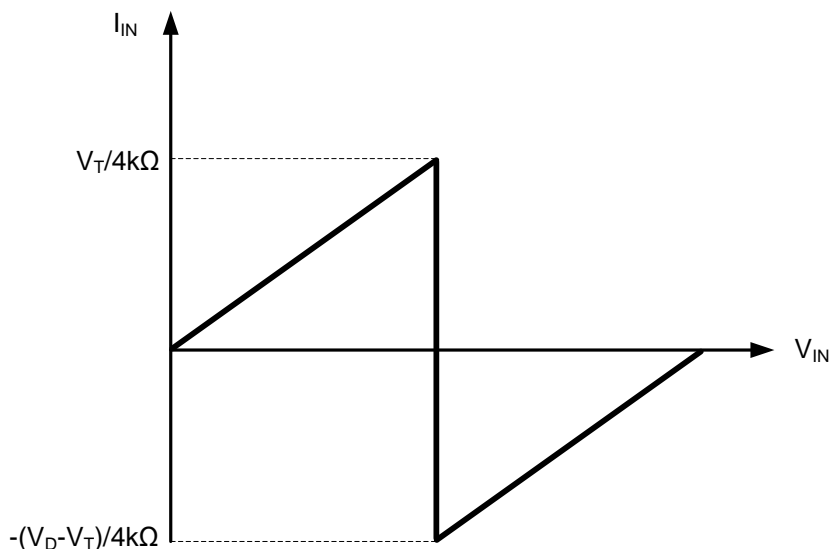


Figure 1 Block Diagram of UM3304/UM3304QS/UM3304QT/UM3304QA/UM3304UE I/O Cell

Input Driver Requirements

Typical I_{IN} vs. V_{IN} characteristics of the UM3304/UM3304QS/UM3304QT/UM3304QA/UM3304UE are shown in Figure 2. For proper operation, the device driving the data I/Os of the UM3304/UM3304QT must have drive strength of at least $\pm 2\text{mA}$.



A: V_T is the input threshold voltage of the UM3304/UM3304QS/UM3304QT/UM3304QA/UM3304UE (typical $V_{CC}/2$).
 B: V_D is the supply voltage of the external driver.

Figure 2 Typical I_{IN} vs. V_{IN} Curve

Power Up

During operation, ensure that $V_{CCA} \leq V_{CCB}$ at all times. During power-up sequencing, $V_{CCA} \geq V_{CCB}$ does not damage the device, so any power supply can be ramped up first. The UM3304/UM3304QS/UM3304QT/UM3304QA/UM3304UE has circuitry that disables all output ports when either V_{CC} is switched off ($V_{CCA/B} = 0\text{V}$).

Enable and Disable

The UM3304/UM3304QS/UM3304QT/UM3304QA/UM3304UE has an OE input that is used to disable the device by setting OE=low, which places all I/Os in the high-impedance (Hi-Z) state. The disable time (t_{dis}) indicates the delay between when OE goes low and when the outputs actually get disabled (Hi-Z). The enable time (t_{en}) indicates the amount of time the user must allow for the one-shot circuitry to become operational after OE is taken high.

Pull-up or Pull-down Resistors on I/O Lines

The UM3304/UM3304QS/UM3304QT/UM3304QA/UM3304UE is designed to drive capacitive loads of up to 50pF. The output drivers of the device have low dc drive strength. External pull-up or pull-down resistors need higher than 50k Ω . For the same reason, the UM3304/UM3304QS/UM3304QT/UM3304QA/UM3304UE should not be used in open-drain system, such as I²C or 1-wire system.

Typical Operating Circuit

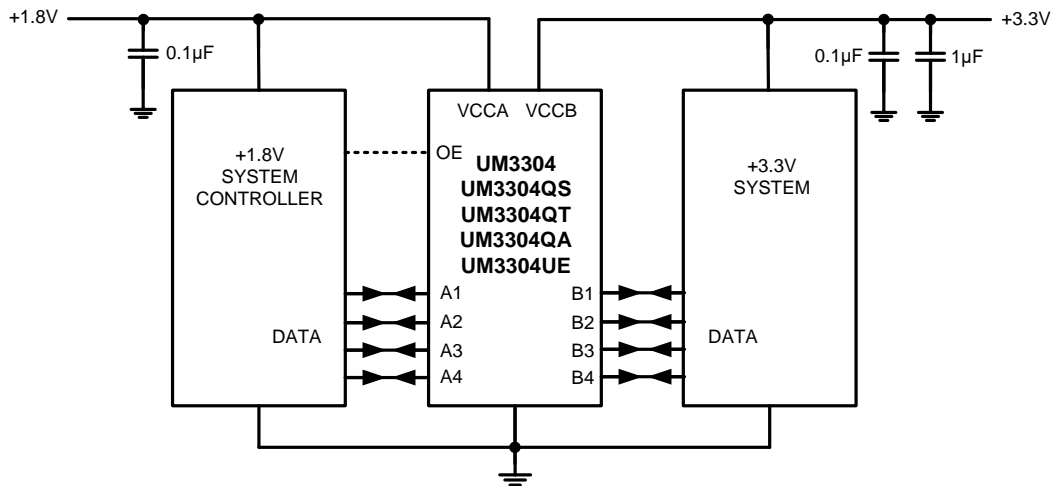
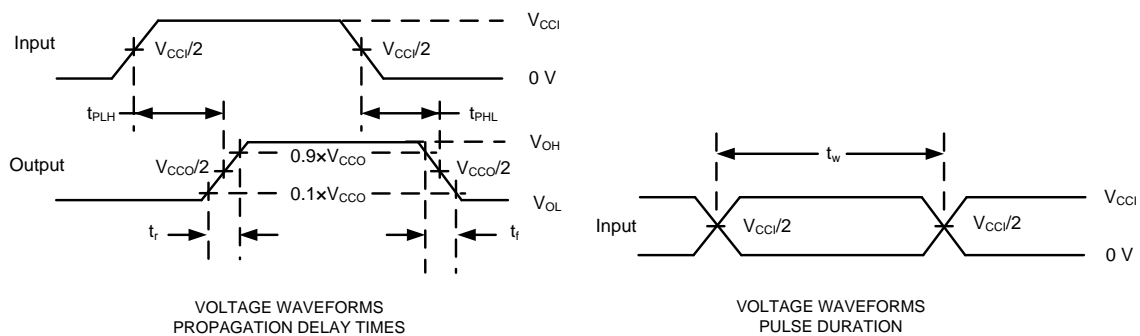
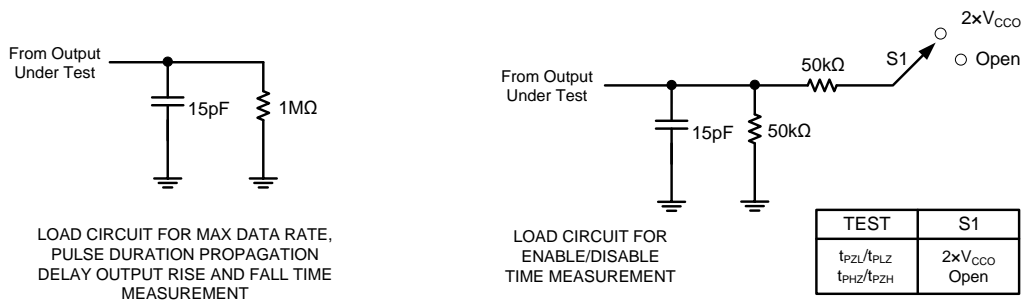


Figure 3 Typical Operating Circuit

Test Circuits



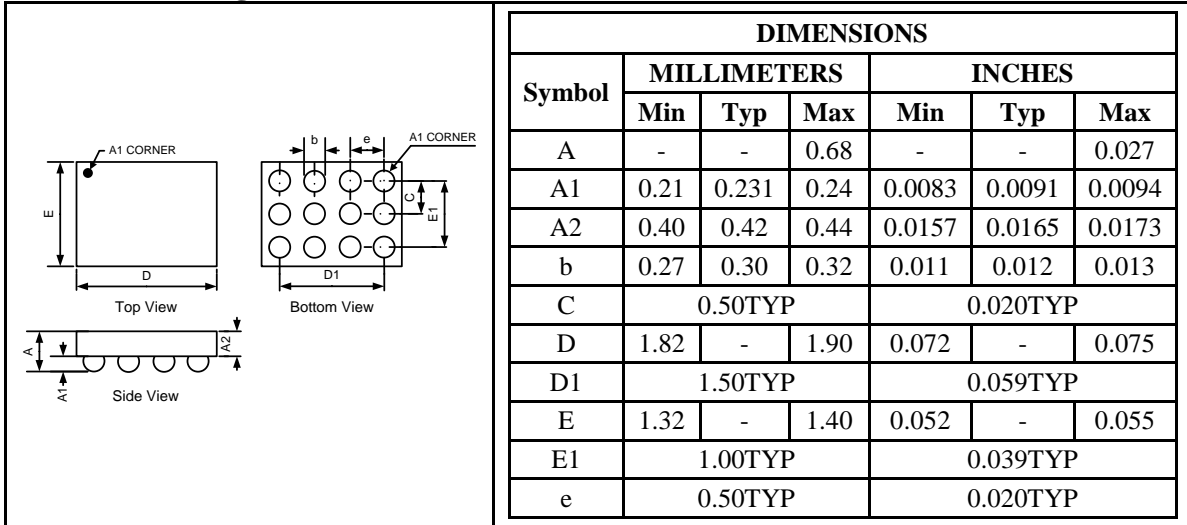
- A. C_L includes probe and jig capacitance.
- B. All input pulses are supplied by generators having the following characteristics: $PRR \leq 10\text{MHz}$, $Z_0 = 50\Omega$, $dv/dt \geq 1\text{V/ns}$.
- C. The outputs are measured one at a time, with one transition per measurement.
- D. t_{PLH} and t_{PHL} are the same as t_{pd} .
- E. V_{CCi} is the V_{CC} associated with the input port.
- F. V_{CCO} is the V_{CC} associated with the output port.
- G. All parameters and waveforms are not applicable to all devices.

Figure 4 Load Circuits and Voltage Waveforms

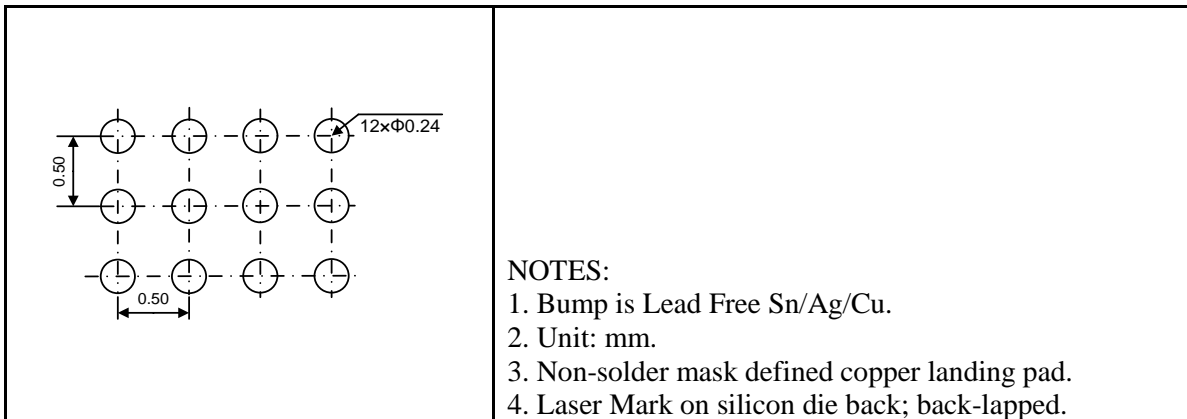
Package Information

UM3304 CSP12 1.9×1.4

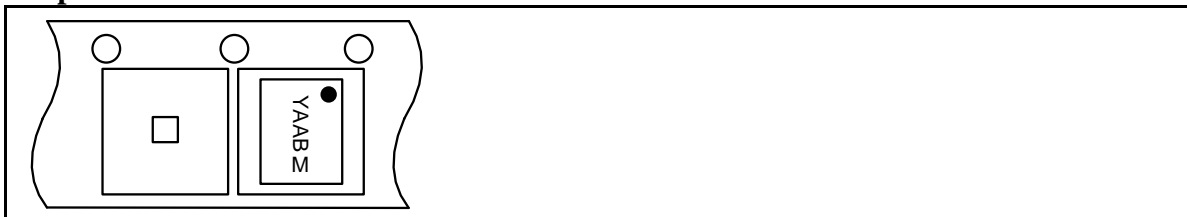
Outline Drawing



Land Pattern

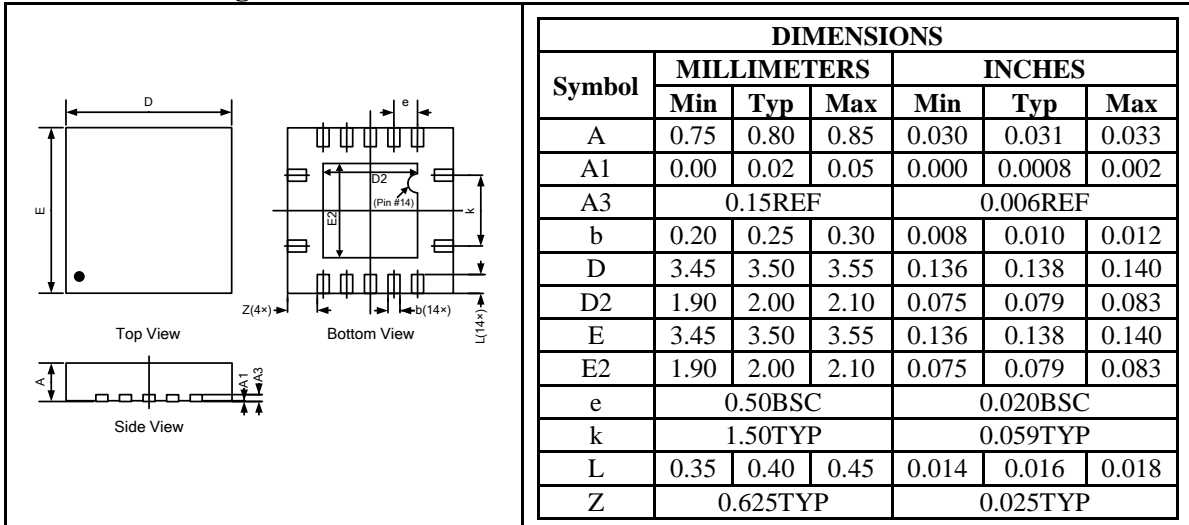


Tape and Reel Orientation

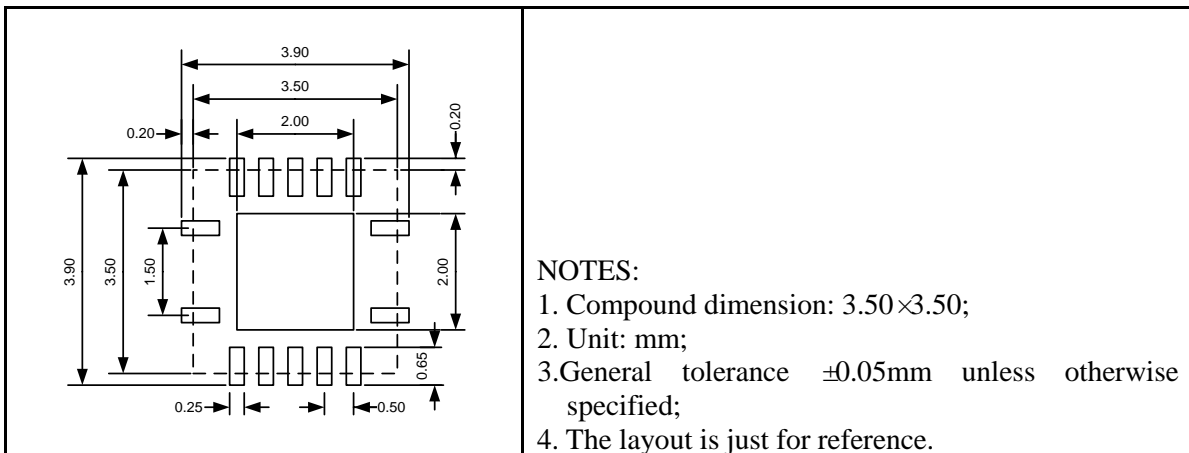


UM3304QS QFN14 3.5×3.5

Outline Drawing



Land Pattern

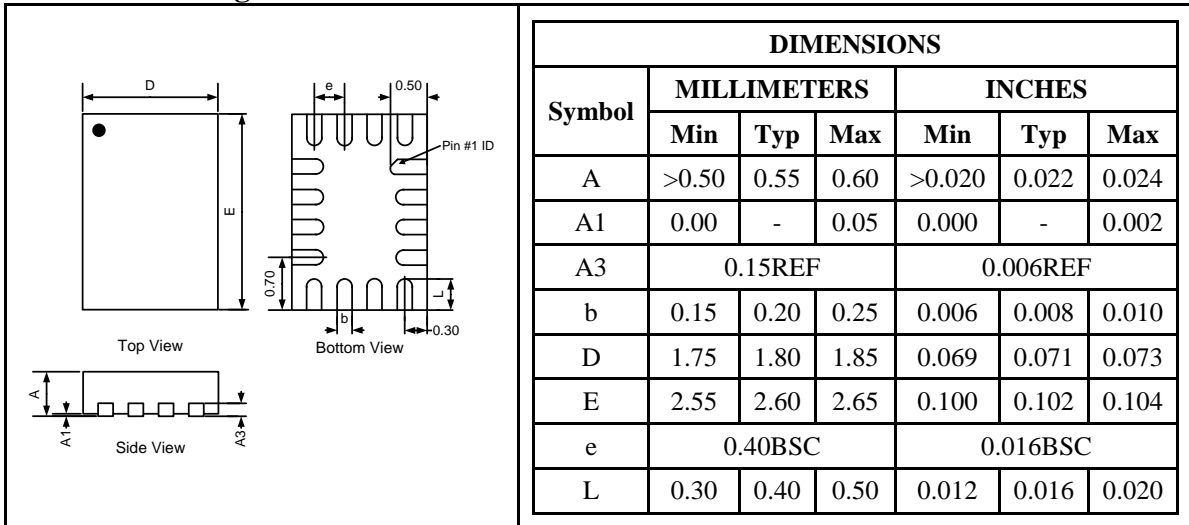


Tape and Reel Orientation

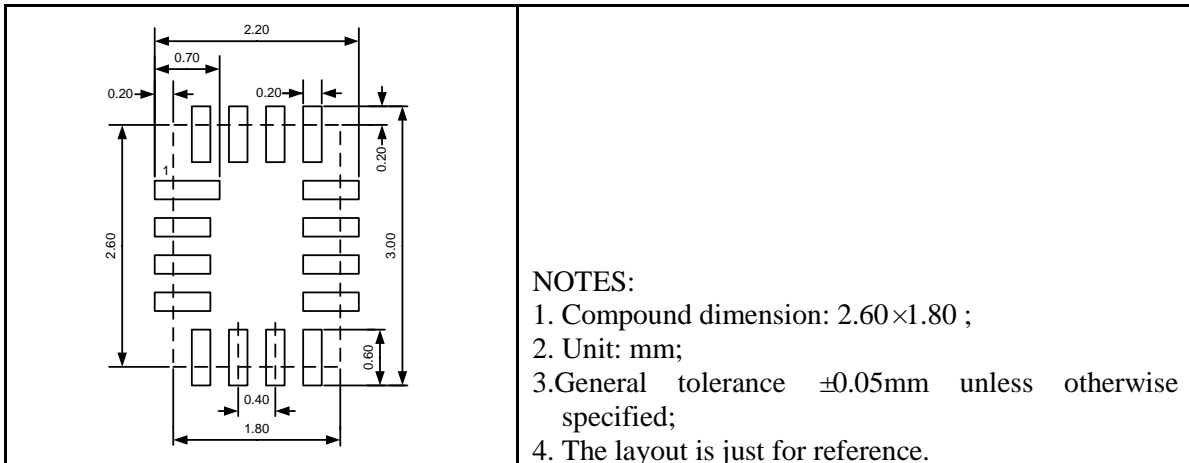


UM3304QT QFN16 2.6×1.8

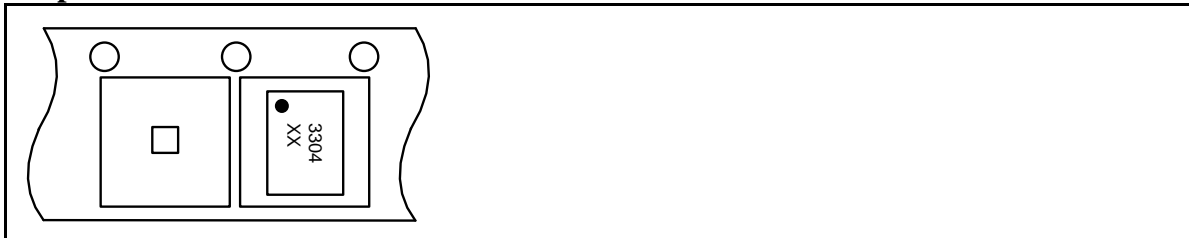
Outline Drawing



Land Pattern

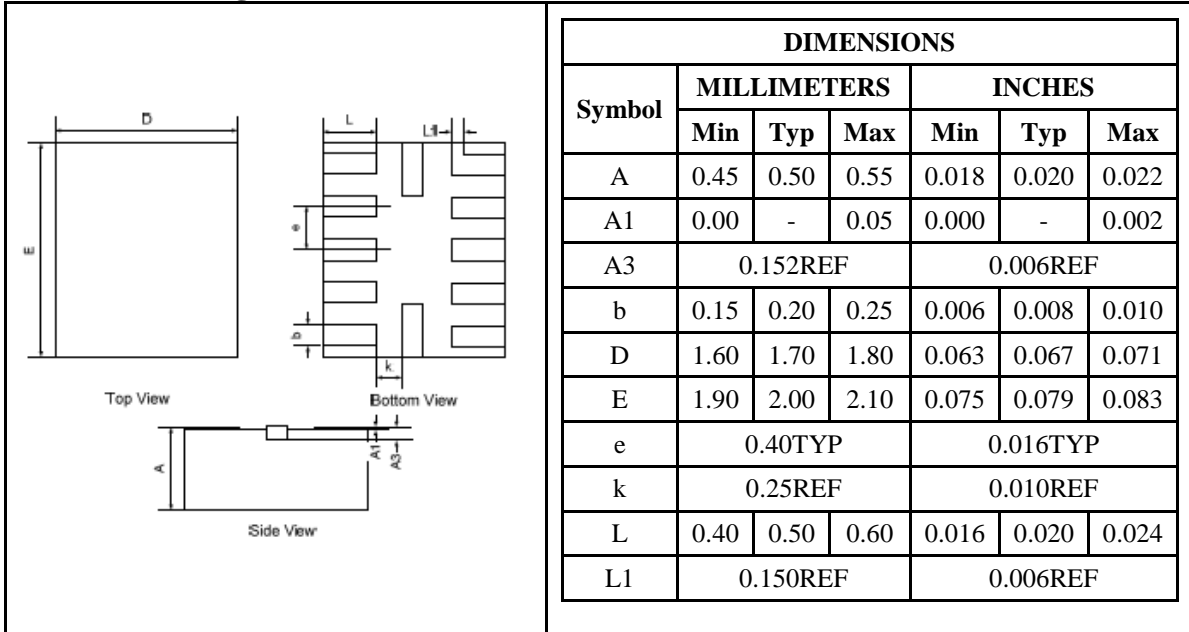


Tape and Reel Orientation

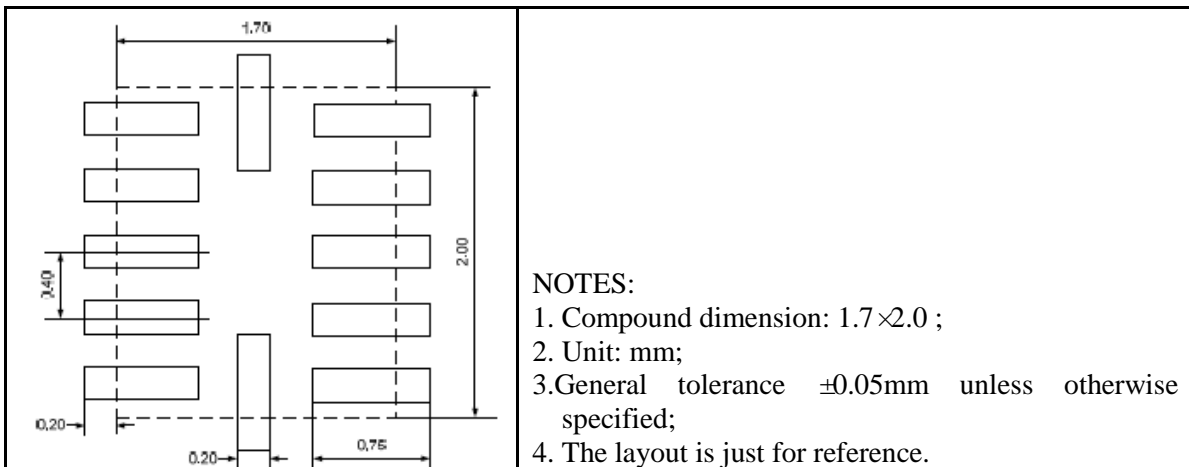


UM3304QA QFN12 1.7×2.0

Outline Drawing



Land Pattern

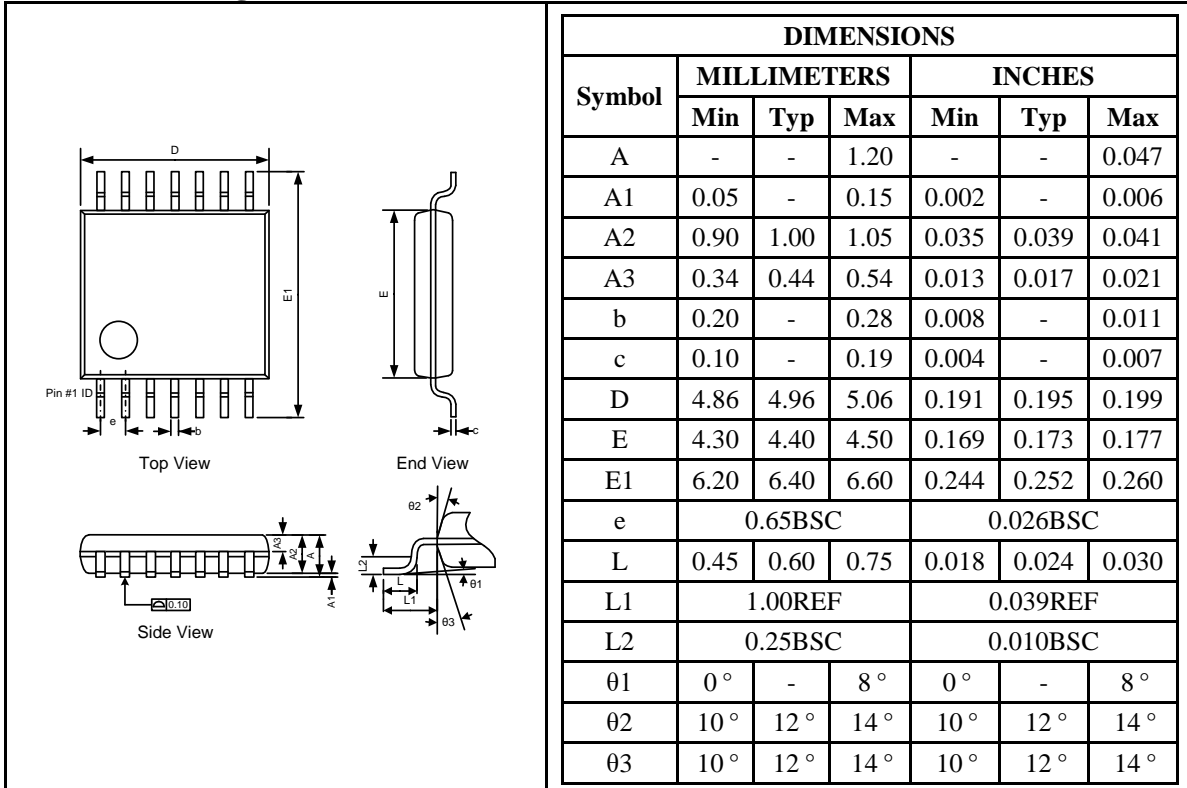


Tape and Reel Orientation

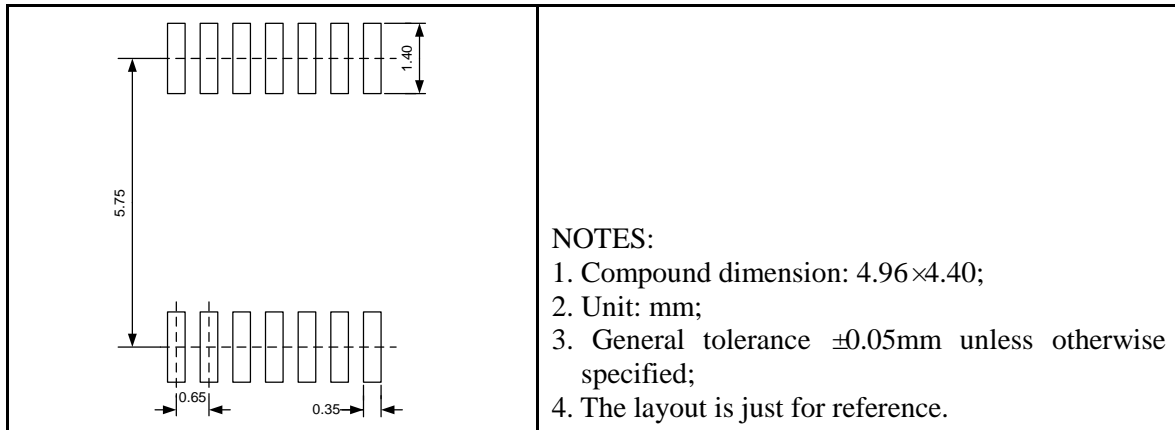


UM3304UE: TSSOP14

Outline Drawing



Land Pattern



Tape and Reel Orientation



GREEN COMPLIANCE

Union Semiconductor is committed to environmental excellence in all aspects of its operations including meeting or exceeding regulatory requirements with respect to the use of hazardous substances. Numerous successful programs have been implemented to reduce the use of hazardous substances and/or emissions.

All Union components are compliant with the RoHS directive, which helps to support customers in their compliance with environmental directives. For more green compliance information, please visit:

http://www.union-ic.com/index.aspx?cat_code=RoHSDeclaration

IMPORTANT NOTICE

The information in this document has been carefully reviewed and is believed to be accurate. Nonetheless, this document is subject to change without notice. Union assumes no responsibility for any inaccuracies that may be contained in this document, and makes no commitment to update or to keep current the contained information, or to notify a person or organization of any update. Union reserves the right to make changes, at any time, in order to improve reliability, function or design and to attempt to supply the best product possible.



Union Semiconductor, Inc

Add: Unit 606, No.570 Shengxia Road, Shanghai 201210

Tel: 021-51093966

Fax: 021-51026018

Website: www.union-ic.com