



TL431

LINEAR INTEGRATED CIRCUIT

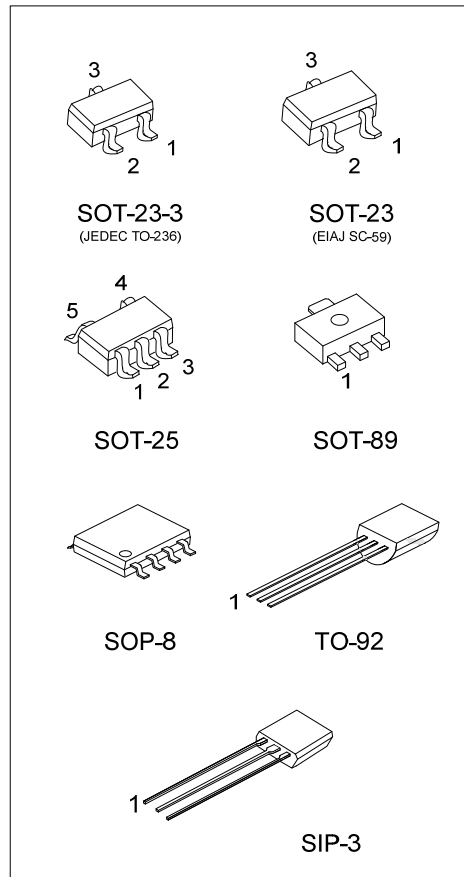
PROGRAMMABLE PRECISION REFERENCE

■ DESCRIPTION

The UTC **TL431** is a three-terminal adjustable regulator with a guaranteed thermal stability over applicable temperature ranges. The output voltage may be set to any value between V_{REF} (approximately 2.5V) and 36V with two external resistors. It provides very wide applications, including shunt regulator, series regulator, switching regulator, voltage reference and others.

■ FEATURES

- * Programmable output Voltage to 36V.
- * Low dynamic output impedance 0.2Ω.
- * Sink current capability of 1.0 to 100mA.
- * Equivalent full-range temperature coefficient of 50ppm/°C typical for operation over full rated operating temperature range.



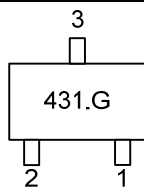
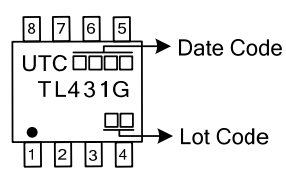
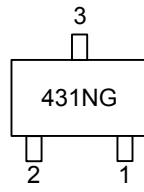
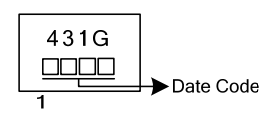
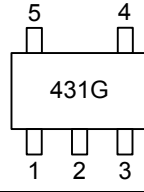
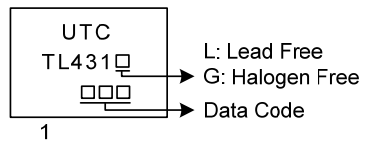
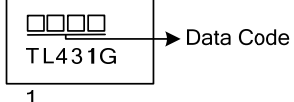
■ ORDERING INFORMATION

Ordering Number		Package	Pin Assignment								Packing
Lead Free	Halogen Free		1	2	3	4	5	6	7	8	
-	TL431G-AB3-R	SOT-89	R	A	K	-	-	-	-	-	Tape Reel
-	TL431G-AE2-R	SOT-23-3	K	R	A	-	-	-	-	-	Tape Reel
-	TL431G-AE3-R	SOT-23	K	R	A	-	-	-	-	-	Tape Reel
-	TL431NSG-AE3-R	SOT-23	R	K	A	-	-	-	-	-	Tape Reel
-	TL431NSG-AE2-R	SOT-23-3	R	K	A	-	-	-	-	-	Tape Reel
-	TL431G-AF5-R	SOT-25	X	X	K	R	A	-	-	-	Tape Reel
-	TL431NG-AF5-A-R	SOT-25	X	A	X	K	R	-	-	-	Tape Reel
-	TL431G-S08-R	SOP-8	K	A	A	X	X	A	A	R	Tape Reel
-	TL431G-G03-K	SIP-3	R	A	K	-	-	-	-	-	Bulk
TL431K-T92-B	TL431G-T92-B	TO-92	R	A	K	-	-	-	-	-	Tape Box
TL431K-T92-K	TL431G-T92-K	TO-92	R	A	K	-	-	-	-	-	Bulk

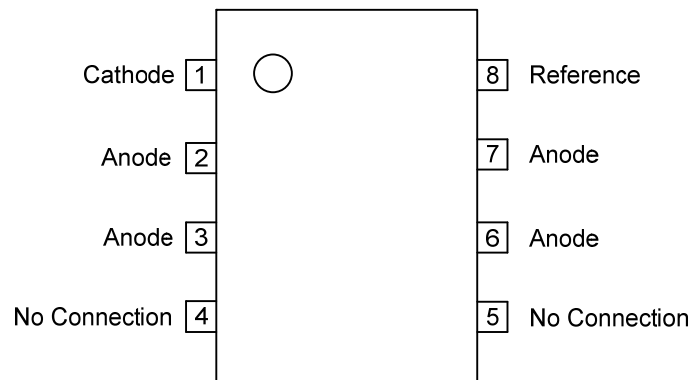
Note: Pin Code: K: Cathode A: Anode R: Reference X: No Connection

<p>TL431G-AF5-A-R</p>	<p>(1) B: Tape Box, K: Bulk, R: Tape Reel, T: Tube (2) refer to Pin Assignment (3) AB3: SOT-89, AE2: SOT-23-3, AE3: SOT-23, AF5: SOT-25, S08: SOP-8, G03: SIP-3, T92: TO-92 (4) G: Halogen Free and Lead Free, K: Lead Free</p>
-----------------------	---

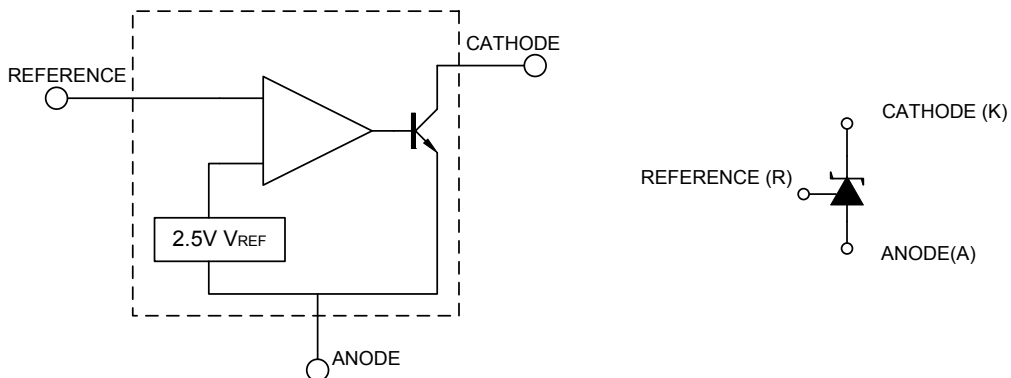
MARKING

PACKAGE	MARKING	PACKAGE	MARKING
SOT-23-3 SOT-23 (TL431)		SOP-8	
SOT-23-3 SOT-23 (TL431NS)		SIP-3	
SOT-25		TO-92	
SOT-89			

PIN CONFIGURATION(For SOP-8)



BLOCK DIAGRAM



■ ABSOLUTE MAXIMUM RATINGS (Operating temperature range applies, unless otherwise specified)

PARAMETER	SYMBOL	RATINGS	UNIT	
Cathode Voltage	V_{KA}	37	V	
Cathode Current Range(Continuous)	I_{KA}	-100 ~ +150	mA	
Reference Input Current Range	I_{REF}	-0.05 ~ +10	mA	
Power Dissipation	TO-92	P_D	770	mW
	SOT-89		800	mW
	SOT-23/SOT-23-3		300	mW
	SOT-25			
	SIP-3		400	mW
	SOP-8	600	mW	
Operating Junction	T_J	+150	°C	
Operating Ambient	T_{OPR}	-40 ~ +85	°C	
Storage Temperature	T_{STG}	-65 ~ +150	°C	

Note: Absolute maximum ratings are those values beyond which the device could be permanently damaged
 Absolute maximum ratings are stress ratings only and functional device operation is not implied.

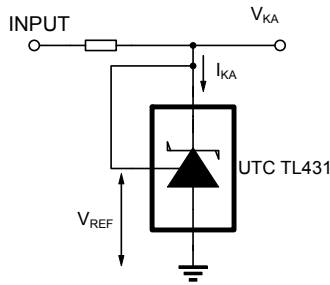
■ RECOMMENDED OPERATING CONDITIONS

PARAMETER	SYMBOL	MIN	TYP	MAX	UNIT
Cathode Voltage	V_{KA}	V_{REF}		36	V
Cathode Current	I_{KA}	1		100	mA

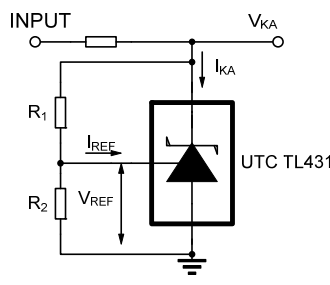
■ ELECTRICAL CHARACTERISTICS ($T_C = 25^\circ\text{C}$, unless otherwise specified.)

PARAMETER	SYMBOL	TEST CONDITIONS	MIN	TYP	MAX	UNIT	
Reference Input Voltage	V_{REF}	$V_{KA}=V_{REF}, I_{KA}=10\text{mA}$	TL431-A	2.483	2.495	2.507	V
			TL431-1	2.470	2.495	2.520	V
			TL431-2	2.520	-	2.545	V
			TL431-3	2.445	-	2.470	V
Deviation of reference Input Voltage Over temperature	$\frac{\Delta V_{REF}}{\Delta T}$	$V_{KA}=V_{REF}, I_{KA}=10\text{mA}, 0^\circ\text{C} \leq T_A \leq 70^\circ\text{C}$		4.5	17	mV	
Ratio of Change in Reference Input Voltage to the Change in Cathode Voltage	$\frac{\Delta V_{REF}}{\Delta V_{KA}}$	$I_{KA}=10\text{mA}$	$\Delta V_{KA}=10\text{V} \sim V_{REF}$	-1.0	-2.7	mV/V	
			$\Delta V_{KA}=36\text{V} \sim 10\text{V}$	-0.5	-2.0	mV/V	
Reference Input Current	I_{REF}	$I_{KA}=10\text{mA}, R1=10\text{k}\Omega, R2=\infty$		1.5	4	μA	
Deviation of Reference Input Current Over Full Temperature Range	$\frac{\Delta I_{REF}}{\Delta T}$	$I_{KA}=10\text{mA}, R1=10\text{k}\Omega, R2=\infty, T_A = \text{full Temperature}$		0.4	1.2	μA	
Minimum Cathode Current for Regulation	$I_{KA(MIN)}$	$V_{KA}=V_{REF}$		0.3	0.5	mA	
Off-State Cathode Current	$I_{KA(OFF)}$	$V_{KA}=36\text{V}, V_{REF}=0$		0.05	1.0	μA	
Dynamic Impedance	Z_{KA}	$V_{KA}=V_{REF}, I_{KA}=1 \sim 100\text{mA}, f \leq 1.0\text{kHz}$		0.15	0.5	Ω	

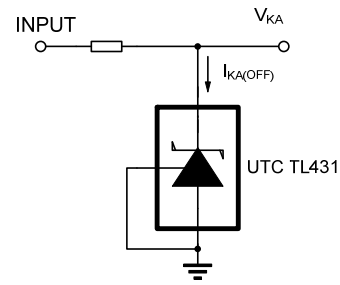
■ TEST CIRCUIT



For $V_{KA} = V_{REF}$

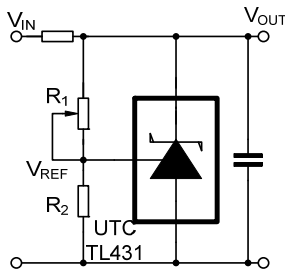


$V_{KA} = V_{REF} \times (1 + R_1/R_2) + I_{REF} \times R_1$
For $V_{KA} \geq V_{REF}$



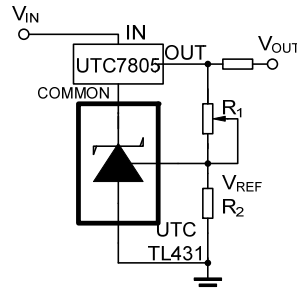
For $I_{KA(OFF)}$

■ APPLICATION CIRCUIT



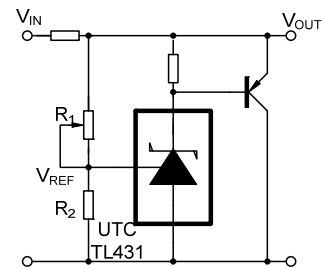
$$V_{OUT} = (1 + R_1/R_2) \times V_{REF}$$

Shutdown Regulator



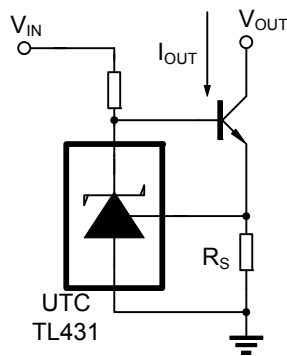
$$V_{OUT} = (1 + R_1/R_2) \times V_{REF}$$

Minimum $V_{OUT} = V_{REF} + 5V$
Output Control of a Three-Terminal Fixed Regulator



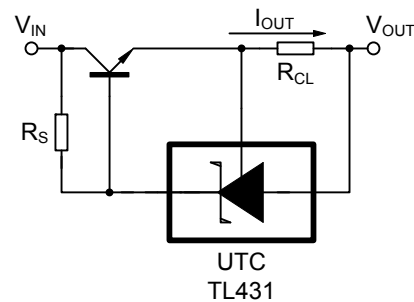
$$V_{OUT} = (1 + R_1/R_2) \times V_{REF}$$

Higher-current Shunt Regulator



$$I_{OUT} = V_{REF}/R_S$$

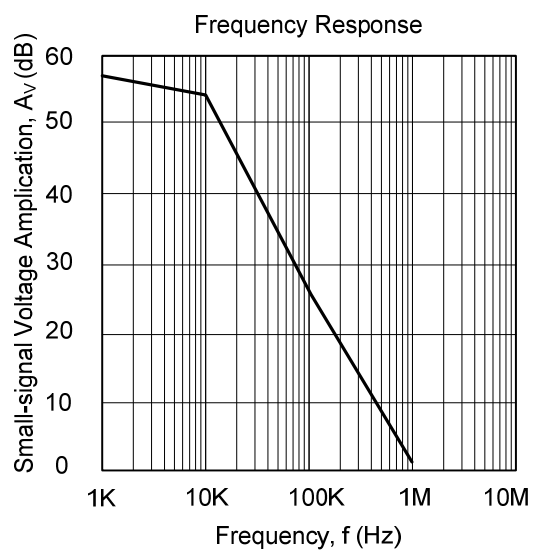
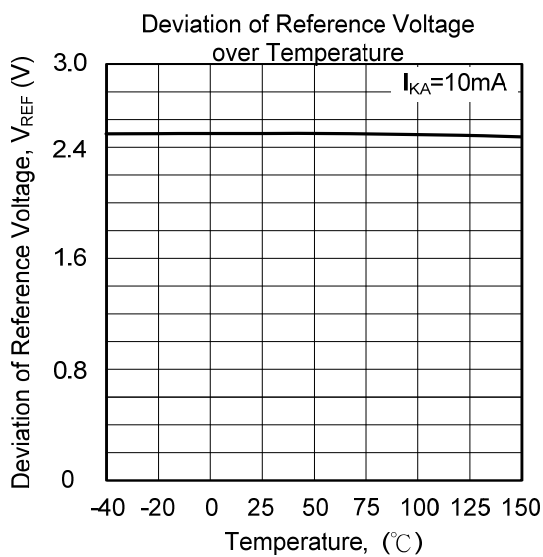
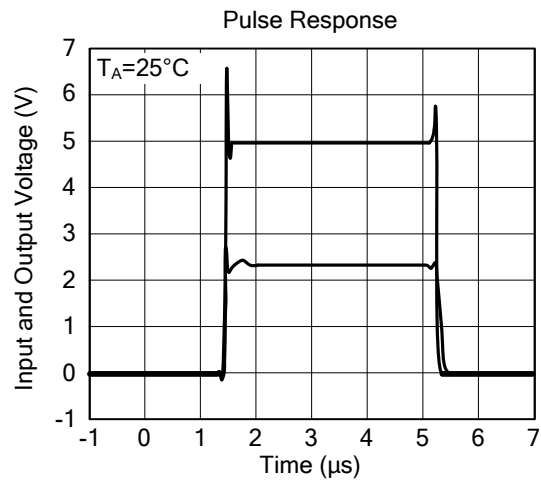
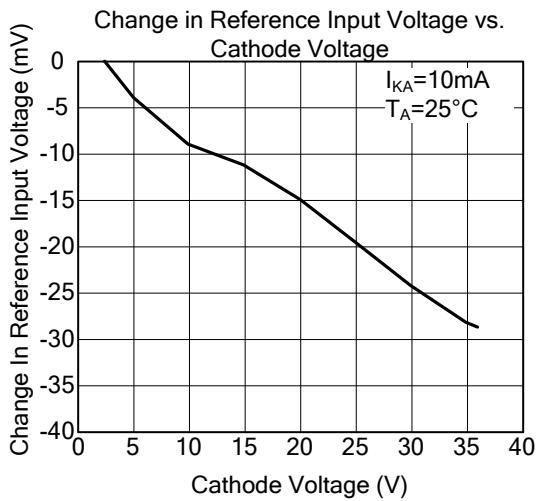
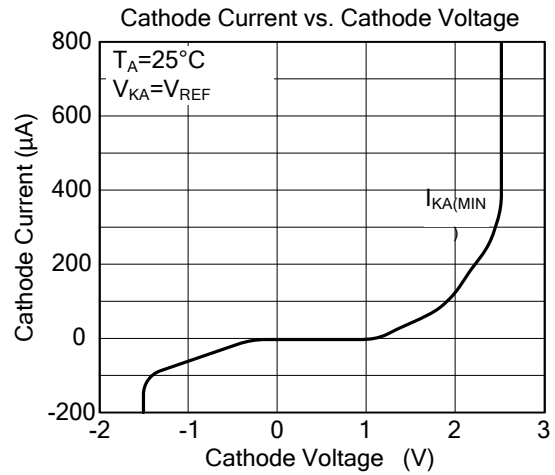
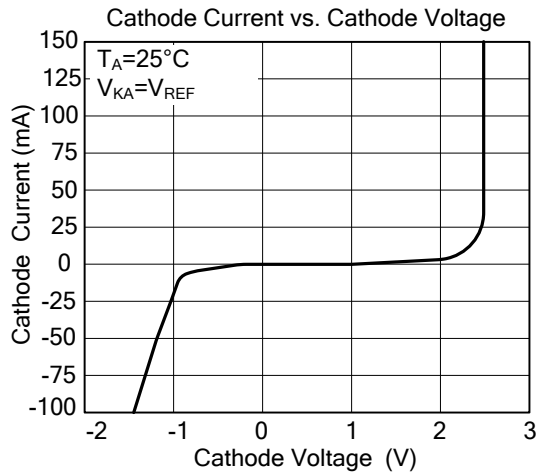
Constant-current Sink



$$I_{OUT} = V_{REF}/R_{CL}$$

Current Limiting or Current Source

TYPICAL CHARACTERISTICS



UTC assumes no responsibility for equipment failures that result from using products at values that exceed, even momentarily, rated values (such as maximum ratings, operating condition ranges, or other parameters) listed in products specifications of any and all UTC products described or contained herein. UTC products are not designed for use in life support appliances, devices or systems where malfunction of these products can be reasonably expected to result in personal injury. Reproduction in whole or in part is prohibited without the prior written consent of the copyright owner. The information presented in this document does not form part of any quotation or contract, is believed to be accurate and reliable and may be changed without notice.