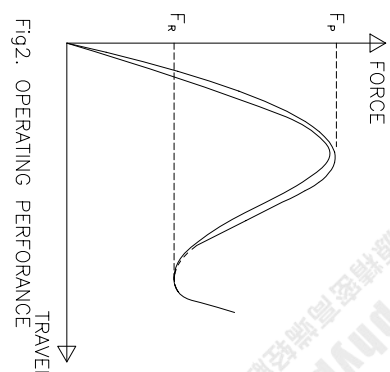
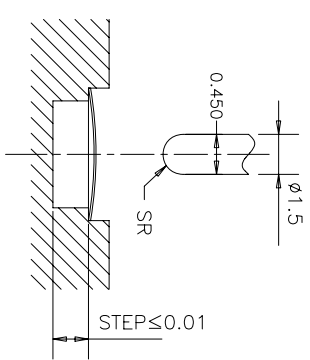


NOTES:  
 1. ALL THE OPERATING PERFORMANCE SPEC. IN BELLOW TABLE SHOULD BE MET. THE MEASURE METHOD IS SHOWN AS FIG.1. OPERATE THE DOME 10 TIMES BEFORE MEASURING.



- 1) TEST SPEED : 140 SPM
- 2) TEST FORCE :  $1.5 * F_p$
- 3) MATERIAL : ALUMINUM.
- 4) AFTER LIFE TEST, C/R DECREASE 30% MAX. OBVIOUS BURR, SCRATCHES, CRACKS IS FORBIDDEN.
- 5) DIMENSIONS MARKED  $\nabla$  SHOULD BE CHECKED BY Q.C. AND P.E.
6. HARMFUL MATERIAL CONTROL PLEASE FOLLOW ROHS

PART NAME	P.F.(gf)	C/R(%)	MAT'L	FINISH	STEP(mm)
836-0005-***	CP±20	60±15	SUS301	Ag PLATING	0

CP:	H:
080-----80gf	0.32-----80gf
100-----100gf	0.32-----100gf
120-----120gf	0.32-----120gf
140-----140gf	0.35-----140gf
160-----160gf	0.35-----160gf
180-----180gf	0.39-----180gf
200-----200gf	0.39-----200gf
230-----230gf	0.40-----230gf
250-----250gf	0.40-----250gf
280-----280gf	0.40-----280gf

L (mm)	L1 (mm)	L2 (mm)	L3 (mm)	L4
4.06±0.02	4.10±0.10	3.10±0.20	1.30±0.10	1.00±0.10
4.06±0.02	4.10±0.10	3.10±0.20	1.30±0.10	1.00±0.10
4.06±0.02	4.10±0.10	3.10±0.20	1.30±0.10	1.00±0.10
4.06±0.02	4.10±0.10	3.10±0.20	1.30±0.10	1.00±0.10

X. ± 0.2	X' ± 0.2'	UNITS	MM	NAME(INTENDED USE)
X ± 0.1	X' ± 0.1'	MAT'L		METAL DOME FOR TACT SWITCH
.XX ± 0.05	.XX' ± 0.01'	FINISH		PART NO.(INTENDED USE)
.XXX ± 0.03	.XXX' ± 0.005'			N/A

APPD:	CHKD:	DR:	DWG NO.:	SCALE	SHEET	REV.
ZO 06/06'15	PROJUM 06/06'15	M.H.LI 06/06'15	836-0000-000	1/1	1/1	C