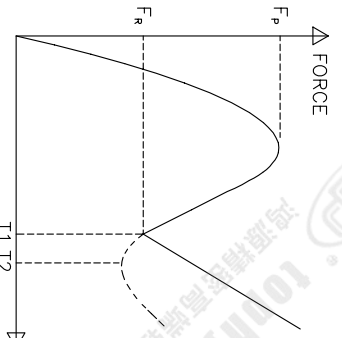
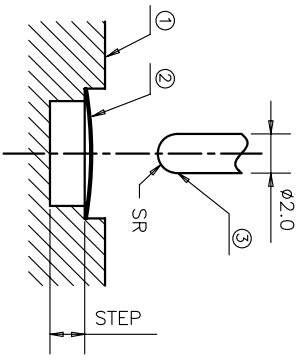


NOTES:
 1. ALL THE OPERATING PERFORMANCE SPEC. IN BELLOW TABLE SHOULD BE MET. THE MEASURE METHOD IS SHOWN AS FIG.1.
 OPERATE THE DOME 10 TIMES BEFORE MEASURING.



F_p : PEAK FORCE
 F_r : RETURN FORCE
 T1: CONTACT POINT
 T2: BUTTON POINT
 $C/R = (F_p - F_r) / F_p * 100\%$
 REMARK:
 1. T2 TESTED WHEN THE SETP IS DEEP ENOUGH TO NOT CONTACT WITH DOME DURING MEASURING.
 $2. T1 < T2$

REV	ECON NO.	APPD
A	HC060009	ZO
B	HC060033	ZO
C	HC100168	ZO
D	HC110001	ZO
E	HC140005	ZO
F	HC160002	ZO

Fig1. MEASURING METHOD

Fig2. OPERATING PERFORMANCE

- 1) TEST SPEED : 120 SPM
- 2) TEST FORCE : F_p
- 3) MATERIAL : ALUMINIUM.
2. OBVIOUS BURR, SCRATCHES, CRACKES IS FORBIDDEN.
3. DIMENSIONS MARKED ∇ SHOULD BE CHECKED BY O.C. AND P.E.
4. DIMENSIONING SHALL BE INTERPRETED PER ANSI Y14.5M-1982.
5. HARMFUL MATERIAL CONTROL PLEASE FOLLOW DOC."HY-QW-02"
6. PART PERFORMANCE TABLE ∇

PART NAME	D	H	P.F.(gf)	C/R(%)
600-5***-****	$\phi 5^{+0.05}$	0.25±0.05	CP±15	C/R±10
600-C***-****	$\phi 4.5^{+0.05}$	0.22±0.05	CP±15	C/R±10
600-4***-****	$\phi 4^{+0.05}$	0.2±0.05	CP±15	C/R±10
600-B***-****	$\phi 3.5^{+0.05}$	0.18±0.05	CP±15	C/R±10
600-3***-****	$\phi 3^{+0.05}$	0.16±0.05	CP±15	C/R±10
600-L***-****	$\phi 2.92^{+0.02}$	0.15±0.05	CP±15	C/R±10
600-J***-****	$\phi 2.9^{+0.05}$	0.15±0.05	CP±15	C/R±10
600-K***-****	$\phi 2.85^{+0.02}$	0.15±0.05	CP±15	C/R±10
600-A***-****	$\phi 2.5^{+0.05}$	0.15±0.05	CP±15	C/R±10
600-D***-****	$\phi 2.2^{+0.05}$	0.15±0.05	CP±15	C/R±10
600-2***-****	$\phi 2.0^{+0.05}$	0.15±0.05	CP±15	C/R±10

TYPE:	DIMPLE:	D:	C/R:	STEP:	MATERIAL:	CP:
6 6 1 1 1 1	0 1 3 4 5	2=φ2.0mm 3=φ3.0mm 4=φ4.0mm 5=φ5.0mm 6=φ6.0mm A=φ2.5mm B=φ3.5mm C=φ4.5mm D=φ2.2mm	0=60% 1=65% 2=55% 3=45% 4=35% 5=25% 6=15%	0=0.00mm 1=0.01mm 2=0.02mm 3=0.03mm 4=0.04mm 5=0.05mm 6=0.06mm 7=0.07mm 8=0.08mm 9=0.09mm A=0.10mm	9=SUS 0=NI-SUS S=AG-SUS 1=PB 2=BECU	060=060gf 080=080gf 100=100gf 130=130gf 160=160gf 180=180gf 200=200gf 250=250gf

X ± 0.2	X' ± 3'	UNITS	MM	NAME(INTENDED USE)	HON YUAN
.X ± 0.1	.X' ± 2'	MAT'L		METAL DOME FOR TACT SWITCH	HON YUAN PRECISION IND. CO.,LTD. SHENZHEN, CHINA, R.O.C.
.XX ± 0.05	.XX' ± 1'	FINISH			
.XXX ± 0.03	.XXX' ± 0.5'				
APPD: ZO 3/18/2014 CHKD: M.H.LI 3/18/2014 DR: WP.LU 3/18/2014				TITLE: DOME CUSTOMER DRAWING DWG NO.: 600-0000-000	

TYPE:	DIMPLE:	D:	C/R:	STEP:	MATERIAL:	CP:
6 6 1 1 1 1	0 1 3 4 5	2=φ2.0mm 3=φ3.0mm 4=φ4.0mm 5=φ5.0mm 6=φ6.0mm A=φ2.5mm B=φ3.5mm C=φ4.5mm D=φ2.2mm	0=60% 1=65% 2=55% 3=45% 4=35% 5=25% 6=15%	0=0.00mm 1=0.01mm 2=0.02mm 3=0.03mm 4=0.04mm 5=0.05mm 6=0.06mm 7=0.07mm 8=0.08mm 9=0.09mm A=0.10mm	9=SUS 0=NI-SUS S=AG-SUS 1=PB 2=BECU	060=060gf 080=080gf 100=100gf 130=130gf 160=160gf 180=180gf 200=200gf 250=250gf

SCALE	SHEET	REV.
1/1	1/5	F