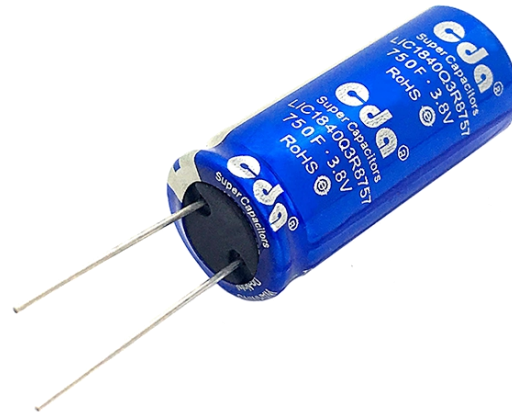


FEATURES

- Low Self Discharge over 10C Rate
- High Capacitance
- High Operating Voltage
- long Cycle Life 30k cycle
- No Explosion Safety

APPLICATIONS

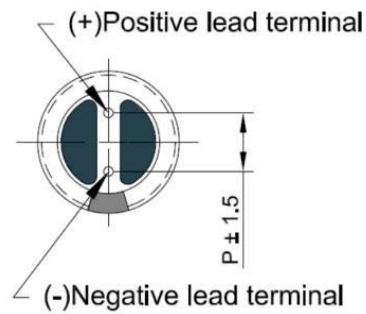
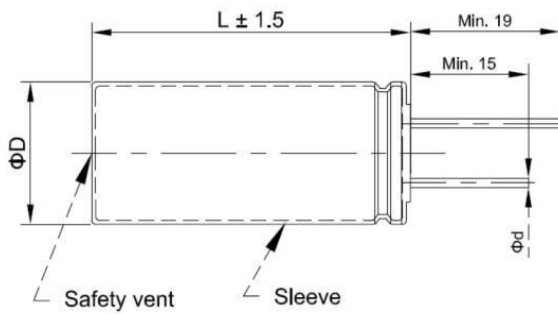
- Pulse power demand
- Ride thru power support
- Back up power
- Stand alone or augment existing
- energy/power source



GENERAL SPECIFICATIONS

Item	Performance
Operating temperature	-15°C to +70°C @ 3.8V -15°C to +85°C @ 3.5V
Storage temperature	-40°C to +85°C
Capacitance range	10F to 750F
Capacitance tolerance	+/-20%
Rated voltage	3.8 VDC / 3.5 VDC
Minimum rated voltage	2.5 VDC
Surge voltage	4.2 VDC
Temperature characteristics	Capacitance change: Within ±50% of initial measured value at +25°C (-15°C to +70°C) Internal resistance: Within ±800% of initial measured value at +25°C (at -15°C)
Endurance (At rated voltage & max. operating temp)	After 1000 hours: Capacitance change: ±30% of initial rated value Internal resistance: Within 2 times of initial specified value
Projected cycle life (From rated voltage to 1/2 rated voltage at 25°C)	After 500,000 cycles: Capacitance change: Within ±30 % of initial rated value Internal resistance: Within 2 times of initial specified value
Shelf life	After 1000 hours storage, at 70°C without load, the capacitor shall meet the specified endurance limits.

DIMENSIONS



Size(mm)		
ΦD	P	Φd
8	3.5	0.6
10	5.0	0.6
13	5.0	0.6
16	7.5	0.8
18	7.5	0.8

STANDARD PRODUCTS

Part Number	Dimensions (mm)		Nom. Cap. (F)	3.8V-2.5V Battery Cap. (mAh)	ESR AC (m Ω) (1 KHz)	Leakage Current (mA)	Rated Current (A)	Max Current (A)	Weight/Unit (grams)
	D	L							
LIC0813Q3R8106	8	13	10	10	510	0.001	0.05	0.5	1.5
LIC0813Q3R8206	8	13	20	10	500	0.001	0.1	0.5	1.5
LIC1013Q3R8256	10	13	25	12	280	0.001	0.15	1.0	2.65
LIC1013Q3R8306	10	13	30	13.5	260	0.001	0.15	1.0	2.65
LIC0820Q3R8406	8	20	40	15	250	0.002	0.2	1.5	2.0
LIC1313Q3R8706	13	13	70	27	115	0.002	0.3	2.0	3.5
LIC1020Q3R8806	10	20	80	30	110	0.002	0.35	3.0	3.0
LIC0825Q3R8906	8	25	90	27	115	0.002	0.3	2.0	2.5
LIC0825Q3R8107	8	25	100	36	100	0.003	0.6	3.0	2.7
LIC1030Q3R8107	10	30	100	36	100	0.003	0.6	5.0	6.0
LIC1030Q3R8127	10	30	120	45	95	0.003	0.6	5.0	5.0
LIC1320Q3R8127	13	20	120	45	95	0.003	0.6	5.0	5.0
LIC1335Q3R8257	13	35	250	80	50	0.005	1.1	10.0	8.0
LIC1620Q3R8257	16	20	250	80	50	0.005	1.1	10.0	8.0
LIC1620Q3R8277	16	20	270	85	50	0.013	2.0	10.0	8.5
LIC1640Q3R8507	16	40	500	200	40	0.015	2.25	25.0	15.0
LIC1840Q3R8507	18	40	500	200	40	0.015	2.25	30.0	16.0
LIC1840Q3R8757	18	40	750	300	25	0.023	3.0	30.0	20.0