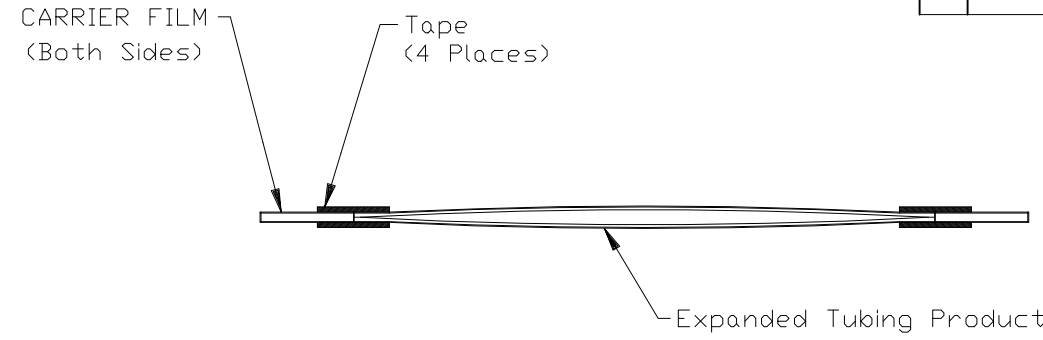
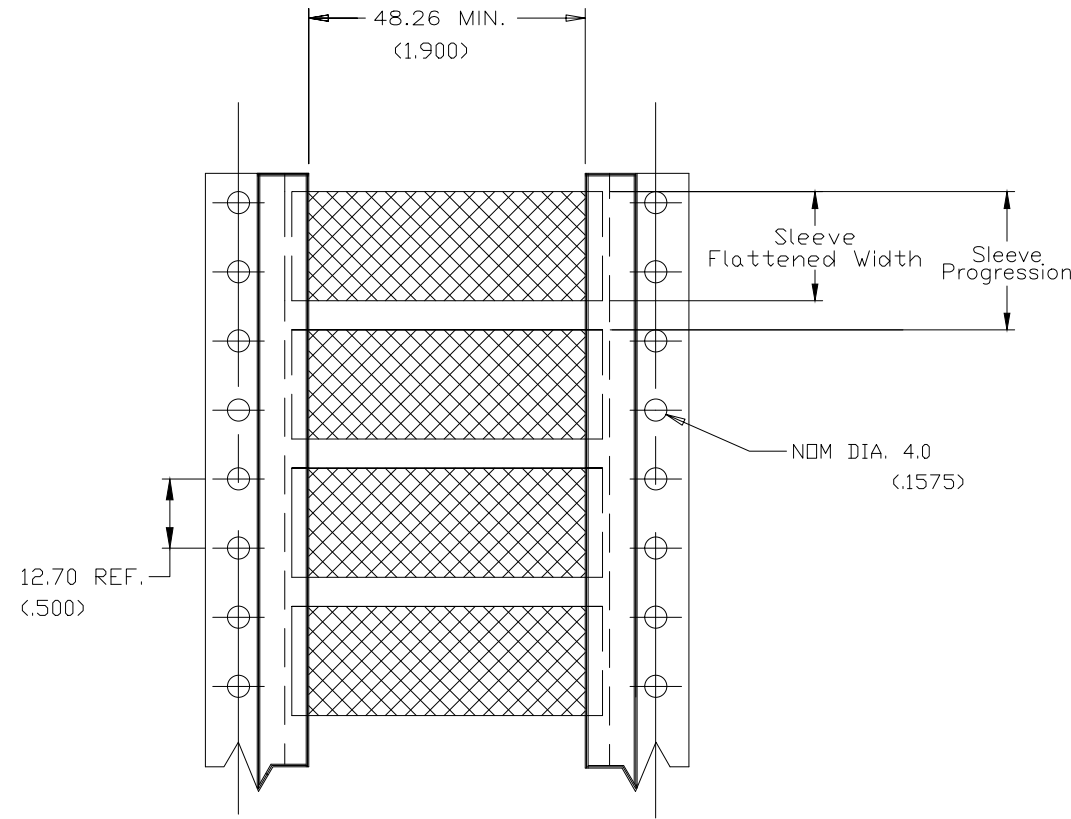


P	LTR	DESCRIPTION	DATE	DWN	APVD
	F1	CONVERSION CORRECTIONS, ECR-20-005962	28MAY2020	AFK	LS

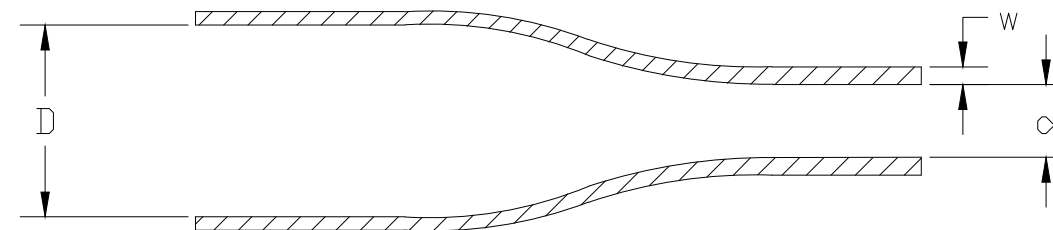


SECTION A - A



Product Size	3/32	1/8	3/16	1/4	3/8	1/2	3/4	1	1-1/2
Minimum Sleeve Flattened Width	4.32 (.170)	5.84 (.230)	8.00 (.315)	10.70 (.420)	15.5 (.610)	20.4 (.804)	30.5 (1.200)	40.4 (1.590)	60.3 (2.37)
Nominal Sleeve Progression	12.70 (.500)	12.70 (.500)	12.70 (.500)	16.93 (.667)	25.40 (1.000)	29.63 (1.167)	42.33 (1.667)	50.80 (2.000)	71.96 (2.833)
"D" Minimum Supplied I.D.	2.38 (.0937)	3.18 (.1250)	4.76 (.1875)	6.35 (.250)	9.53 (.375)	12.70 (.500)	19.05 (.750)	25.40 (1.00)	38.10 (1.50)
"d" Maximum Recovered I.D.	0.79 (.0312)	1.59 (.0625)	2.38 (.0938)	3.18 (.1250)	4.76 (.1875)	6.35 (.250)	9.53 (.375)	12.70 (.500)	19.05 (.750)
"w" Recovered wall	0.38±0.08 (.015±.003)	0.38±0.08 (.015±.003)	0.38±0.08 (.015±.003)	0.38±0.08 (.015±.003)	0.38±0.08 (.015±.003)	0.38±0.08 (.015±.003)	0.38±0.08 (.015±.003)	0.43±0.10 (.017±.004)	0.43±0.10 (.017±.004)

DIMENSIONS IN mm (inches)



THIS DRAWING IS A CONTROLLED DOCUMENT.		DWN AFK	26FEB2020	STE TE Connectivity	
DIMENSIONS: mm		CHK -	-		
TOLERANCES UNLESS OTHERWISE SPECIFIED:		APVD LS	26FEB2020	NAME HT-SCE	
0 PLC ± -		PRODUCT SPEC		-	
1 PLC ± -		RW-2512		-	
2 PLC ± -		APPLICATION SPEC		-	
3 PLC ± -		411-121008		SIZE	CAGE CODE
4 PLC ± -		WEIGHT		A3	0198G
ANGLES ± -		CUSTOMER DRAWING		DRAWING NO C=MCD160005	
FINISH		RESTRICTED TO		-	
CROSSLINKED PVdF		SCALE		-	
		SHEET		1 OF 1	
		REV		F1	