

产品规格书（外部使用）

Product Specification
(For External Use)

版本 Rev.	描述 Description	制表/日期 Written/Date	审核/日期 Checked/Date	核准/日期 Approved/Date
A	新版本 New release	Tyler 07-20-2020	Jason 07-20-2020	Jason 07-20-2020
B	增加 04、08、10PIN Add 04、08、10Pin	Tyler 04-15-2021	Jason 04-15-2021	Jason 04-15-2021
C	增加 12、14、16、20、24PIN Add 12、14、16、20、24Pin	Tyler 08-25-2021	Jason 08-25-2021	Jason 08-25-2021
D	更新最小包装数量和操作方法 Update the minimum package quantity and operation method.	Tyler 09-25-2021	Jason 09-25-2021	Jason 09-25-2021
E	增加钢网尺寸和中文标示 Add metal mask size and Chinese identification	Tyler 04-24-2022	Jason 04-24-2022	Jason 04-24-2022
F	增加建议回流焊条件和有害成分信息 Add recommended Infrared reflow condition and harmful component information	Tyler 04-28-2022	Jason 04-28-2022	Jason 04-28-2022

0.35mm Pitch,0.60mm Height,Board-to-Board/Board-to-FPC Connectors (BB350 Series)

额定值 Rating	额定电流		
	信号引脚 0.3A/PIN 电源引脚 3A/PIN 额定电压 50V 交流/直流 Rated current signal pin: 0.3A /PIN Power pin: 3A/PIN Rated voltage 50V AC/DC	工作温度范围: -40C 至+85C 工作湿度范围: 20%到 80% Operating temperature range : -40°C to +85°C Operating humidity range : 20% to 80%	存储温度范围: -10C 至+45C 存储湿度范围: 20%到 80% Storage temperature range: -10°C to +45°C Storage humidity range : 20% to 80%
项目 Item	规格 Specification	条件 Conditions	
1. 绝缘阻抗 1. Insulation resistance	1000 MΩ 最小 1000 MΩ min.	150V直流/一分钟 150V DC /one minute	
2. 耐压测试 2. Withstanding voltage	没有击穿或电火花 No flashover or insulation breakdown.	250V交流/一分钟 250V AC /one minute	
3. 接触阻抗 3. Contact resistance	信号pin: 25 mΩ 最大 电源pin10mΩ 最大 Signal pin: 25 mΩ max Power pin: 10mΩ max	组装在胶芯上互配的端子, 通过最大 20mV 开路电压最大 100mA 的电流 Subject mated contacts assembled in housing to 20mV maximum open circuit at 100mA max	
4. 振动测试 4. Vibration	瞬断不超过1微秒 No momentary disconnections of 1 micro-sec/min. And meet	频率:10-50 Hz, 单振幅0.75毫米, 三个方向, 每个方向10次, 每次5分钟 Frequency :10Hz to 50Hz Half amplitude of 0.75mm 10 cycles in each of 3 axis directions for 5 minutes/cycle	
5. 耐潮湿 5. Humidity	没有物理损伤和满足要求 1. (绝缘阻抗) 2. (承受耐压) 3. (接触阻抗) No physical damage and meet 1. (Insulation Resistance) 2. (Dielectric Withstanding Voltage) 3. (Contact Resistance)	配对连接器并应用以下测试条件。 温度:+ 40±2° C 持续时间:240 小时 Mated Connector and apply the following test condition. Temperature: +40±2° C Duration: 240 Hours	
6. 温度循环 6. Temperature Cycling	没有物理损伤和满足要求 1. (绝缘阻抗) 2. (承受耐压) 3. (接触阻抗) No physical damage and meet 1. (Insulation Resistance) 2. (Dielectric Withstanding Voltage) 3. (Contact Resistance)	配对连接器并应用以下测试条件。周期:10 个周期 温度:+25(-10)~ 65° C 湿度:90 ~ 98%RH Mated Connector and apply the following test condition. Cycle: 10 cycles Temperature : +25 (-10) ~ 65° C Humidity : 90~98%RH	

**0.35mm Pitch,0.60mm Height,Board-to-Board/Board-to-FPC Connectors
(BB350 Series)**

<p>7. 耐久 7. Durability</p>	<p>无物理损伤, 并能满足要求 (接触阻抗) No physical damage and meet . (Contact Resistance)</p>	<p>30次 30 cycles</p>
<p>8. 耐焊接性 8. Resistance to soldering heat</p>	<p>无变形或其他功能影响 No deformation of components affecting performance.</p>	<p>回流焊:推荐的温度曲线 手动焊接:350±10° C 5±1 s 使用次数:3次 Reflow: At the recommended temperature profile Manual soldering: 350±10° C for 5±1 s Application : 3 times</p>
<p>9. 盐雾测试 9. Salt water spray</p>	<p>无物理损伤, 并能满足要求 (接触阻抗) No physical damage and meet . (Contact Resistance)</p>	<p>配对连接器并应用以下测试条件。 温度:+ 35±2° C 浓度:5±1% 持续时间:48 小时 Mated Connector and apply the following test condition. Temperature: +35±2° C Salt water density : 5±1% Duration: 48 Hours</p>
<p>10. 插拔力 10. Mating&Unmating Force</p>	<p>插入力 1.00N / pin 最大 拔出力 0.30N / pin 最小 Mating force : 1.00N / pin max. Unmating force : 0.30N / pin min.</p>	<p>测试最大速度25±3毫米/分钟 周期: 耐久 30 次 Operation Speed: 25 ± 3 mm Durability Cycles: 30 Cycles.</p>

0.35mm Pitch,0.60mm Height,Board-to-Board/Board-to-FPC Connectors
(BB350 Series)

材料和表面处理
Materials and Finishes

连接器 Connectors	组件 Component	材料 Material	完成 Finish		有害成分信息 Harmful component information	备注 Remarks
母座 Socket	胶芯 Insulator	液晶高分子聚合物 LCP	颜色: 黑色 Color : Black		符合ROHS2.0及无 卤要求 ROHS 2.0+HF	UL94V-0
	端子 Contacts	磷青铜 Phosphor bronze	电镀 plating	接触区域: 镀金 4u" 最小 镀镍: 80-150 u" Contact area:Au 4u" Min,Ni 80-150u" 焊脚区域: 闪金 镀镍: 80-150 u" Solder area:GOLD FLASH ,Ni 80-150u"		
公座 Plug	胶芯 Insulator	液晶高分子聚合物 LCP	颜色: 黑色 Color : Black		符合ROHS2.0及无 卤要求 ROHS 2.0+HF	UL94V-0
	端子 Contacts	磷青铜 Phosphor bronze	电镀 plating	接触区域: 镀金 4u" 最小 镀镍: 80-150 u" Contact area:Au 4u" Min,Ni 80-150u" Min 焊脚区域: 闪金 镀镍: 80-150 u" Solder area:GOLD FLASH,Ni 80-150u"		

订购信息 (母座)
Ordering information (Socket)

YXT-BB 35 0- XX S 2 4 A 0 (LC)

1 2 3 4 5 6 7 8 9 10

1. BB:板对板 1. BB: Board to Board
2. 系列名称: 35 宽度=1.5连接器 2. Series name: 35 W=1.5 Connectors
3. 客户: 0 (常规) 3. Customer: 0 (routine)
4. PIN数: 02 04 06 08 10 12 14 16 20 24 PIN 4. Number of positions: 02 04 06 08 10 12 14 16 20 24 PIN
5. 类型:S-母座 5. Type:S -Socket
6. 包装: 2 (15K/盘) 6. Packing: 2 (15K/R)
7. 电镀: 4 (接触区域镀金4u" 最小 镍80-150u" 最小) 7. Plating: 4 (Contact area Au 4u" min Ni 80-150u" Min)
8. HD(HD是电源PIN) 8. Hold Down: A (With hold down power)
9. 序列号: 0 9. Serial number: 0
10. 客户: LC 10. Customer: LC

**0.35mm Pitch,0.60mm Height,Board-to-Board/Board-to-FPC Connectors
(BB350 Series)**

订购信息（公座）

Ordering information (Plug)

YXT-BB 35 0- XX P 2 4 A 0 (LC)

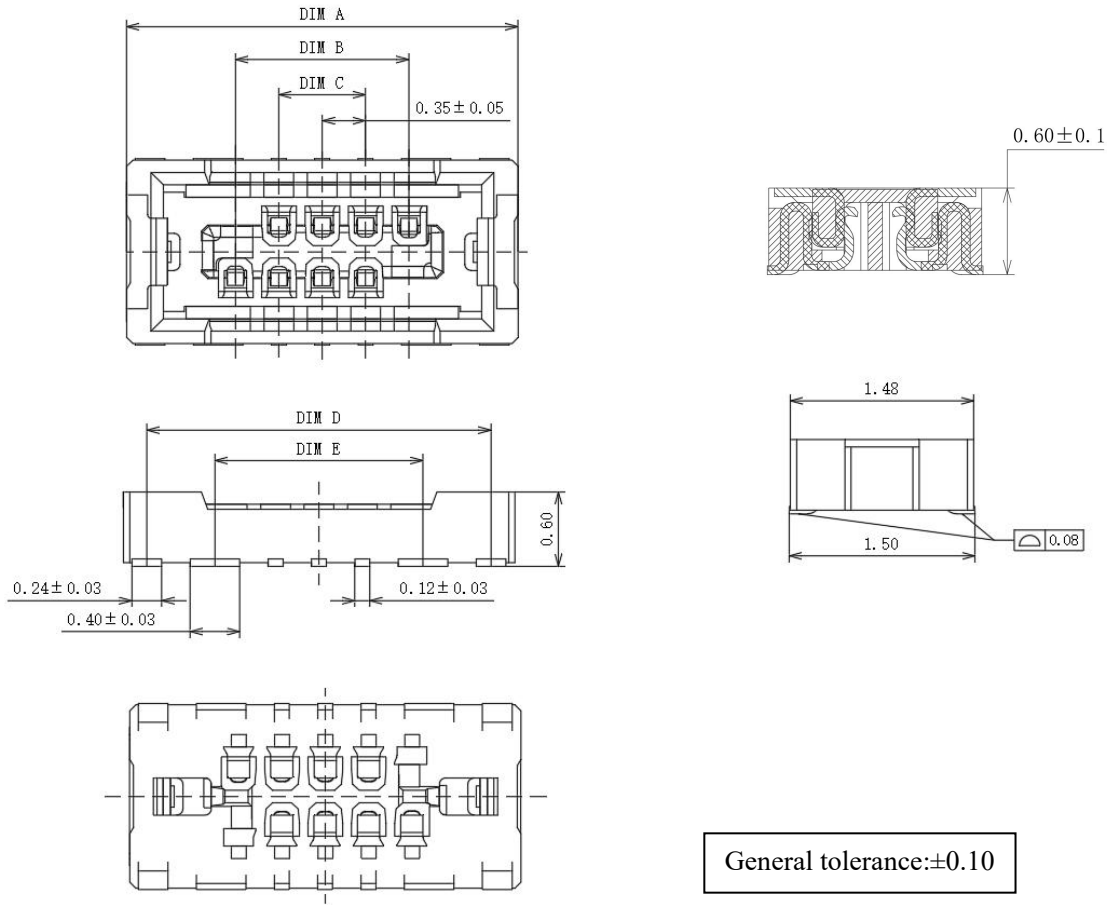
1 2 3 4 5 6 7 8 9 10

1. BB:板对板 1. BB: Board to Board
2. 系列名称: 35 宽度=1.5连接器 2. Series name: 35 W=1.5 Connectors
3. 客户: 0 (常规) 3. Customer: 0 (routine)
4. PIN数: 02 04 06 08 10 12 14 16 20 24 PIN 4. Number of positions: 02 04 06 08 10 12 14 16 20 24 PIN
5. 类型:P-公座 5. Type:P -Plug
6. 包装: 2 (15K/盘) 6. Packing: 2 (15K/R)
7. 电镀: 4 (接触区域镀金4u" 最小 镍80-150u" 最小) 7. Plating: 4 (Contact area Au 4u" min Ni 80-150u" Min)
8. HD (HD是电源PIN) 8. Hold Down: A (With hold down power)
9. 序列号: 0 9. Serial number: 0
10. 客户: LC 10. Customer: LC



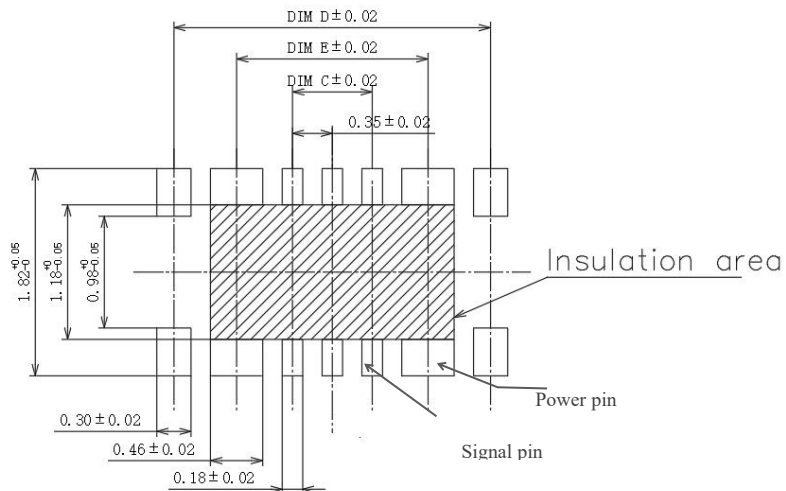
0.35mm Pitch,0.60mm Height,Board-to-Board/Board-to-FPC Connectors (BB350 Series)

母座 (2D图 单位: 毫米) Socket (CAD Data Unit:mm)



推荐焊盘

Recommended PCB mounting pattern



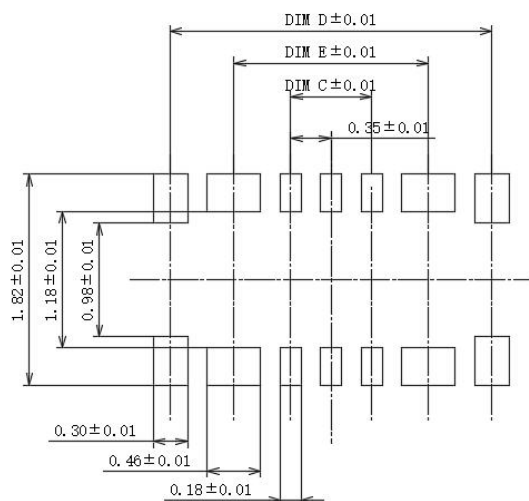
0.35mm Pitch,0.60mm Height,Board-to-Board/Board-to-FPC Connectors (BB350 Series)

推荐钢网

钢网厚度0.08毫米

Recommended Metal Mask Dimensions

Mask Thickness : 0.08mm



尺寸表（单位：毫米）

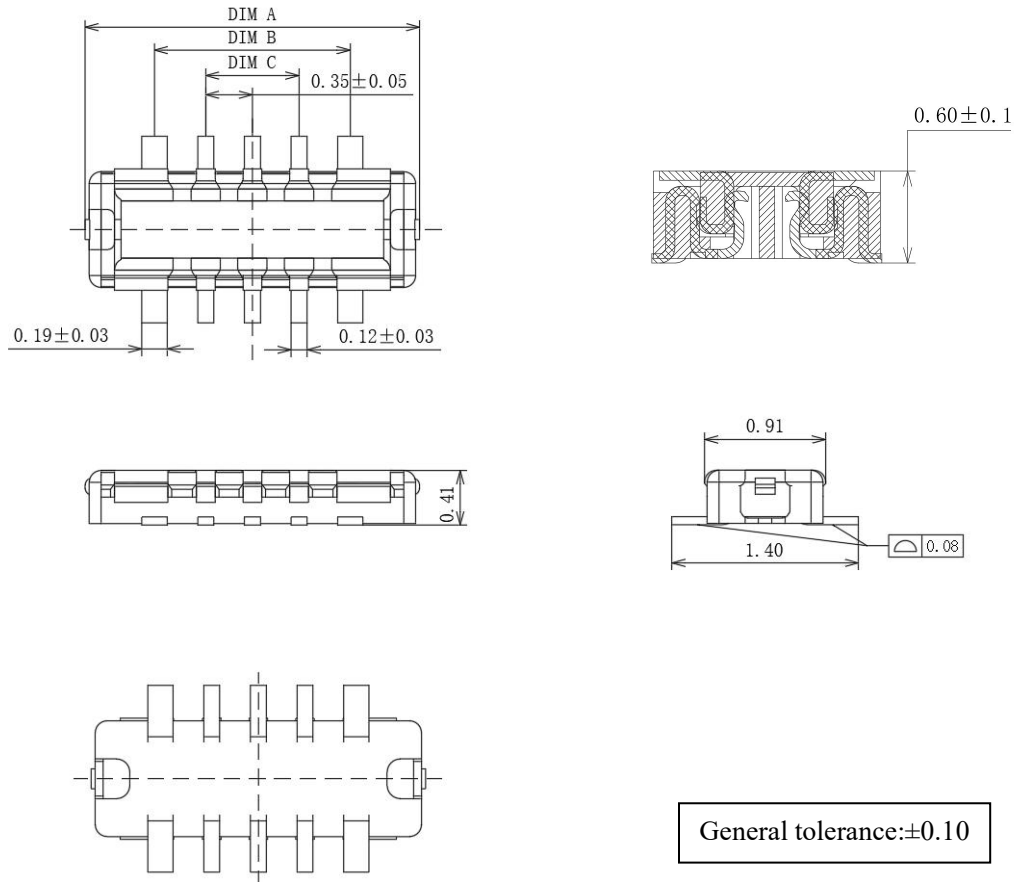
Dimension table (Unit: mm)

Part Number	Number of positions	DIM A	DIM B	DIM C	DIM D	DIM E
YXT-BB350-02S24A0(LC)	02	2.46	0.74	-	2.08	0.98
YXT-BB350-04S24A0(LC)	04	2.81	1.09	0.35	2.43	1.33
YXT-BB350-06S24A0(LC)	06	3.16	1.44	0.7	2.78	1.68
YXT-BB350-08S24A0(LC)	08	3.51	1.79	1.05	3.13	2.03
YXT-BB350-10S24A0(LC)	10	3.86	2.14	1.40	3.48	2.38
YXT-BB350-12S24A0(LC)	12	4.21	2.49	1.75	3.83	2.73
YXT-BB350-14S24A0(LC)	14	4.56	2.84	2.10	4.18	3.08
YXT-BB350-16S24A0(LC)	16	4.91	3.19	2.45	4.53	3.43
YXT-BB350-20S24A0(LC)	20	5.61	3.89	3.15	5.23	4.13
YXT-BB350-24S24A0(LC)	24	6.31	4.59	3.85	5.93	4.83

0.35mm Pitch,0.60mm Height,Board-to-Board/Board-to-FPC Connectors (BB350 Series)

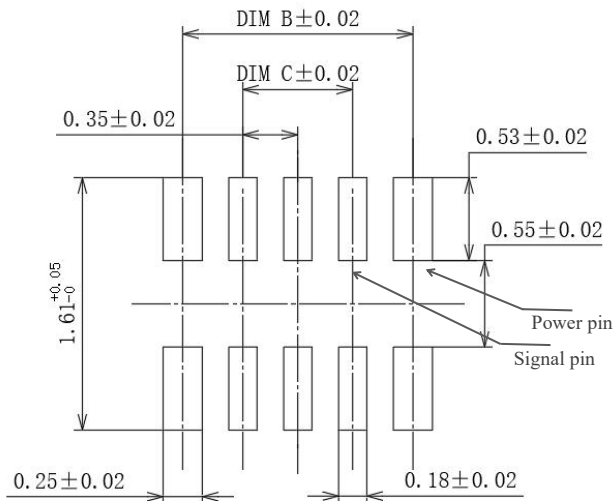
公座 (2D图 单位: 毫米)

Plug (CAD Data Unit:mm)



推荐PCB

Recommended PCB mounting pattern



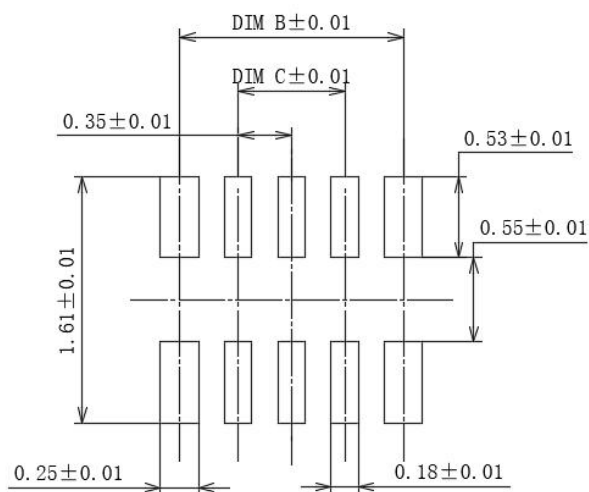
0.35mm Pitch,0.60mm Height,Board-to-Board/Board-to-FPC Connectors (BB350 Series)

推荐钢网

钢网厚度0.08毫米

Recommended Metal Mask Dimensions

Mask Thickness : 0.08mm



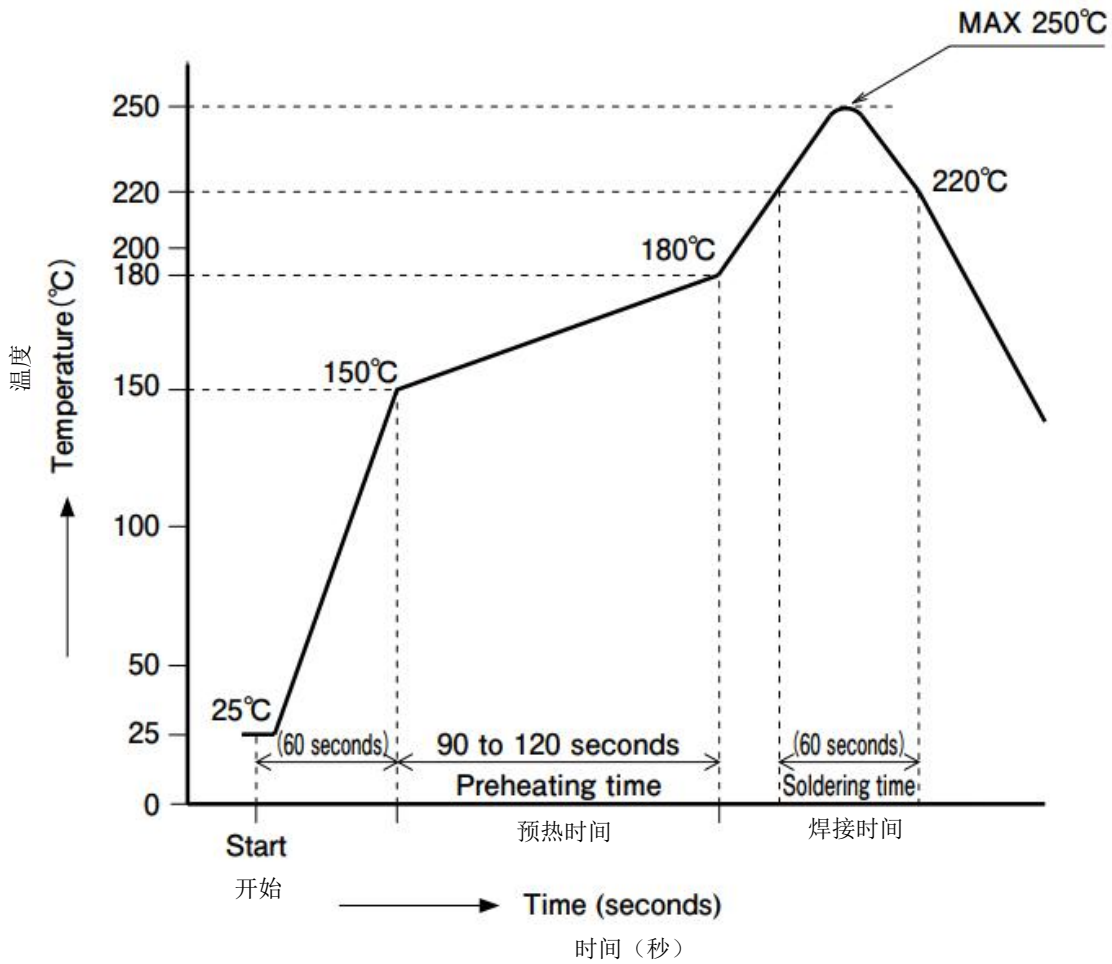
尺寸表（单位：毫米）

Dimension table (Unit: mm)

Part Number	Number of positions	DIM A	DIM B	DIM C
YXT-BB350-02P24A0(LC)	02	1.81	0.77	-
YXT-BB350-04P24A0(LC)	04	2.16	1.12	0.35
YXT-BB350-06P24A0(LC)	06	2.51	1.47	0.70
YXT-BB350-08P24A0(LC)	08	2.86	1.82	1.05
YXT-BB350-10P24A0(LC)	10	3.21	2.17	1.40
YXT-BB350-12P24A0(LC)	12	3.56	2.52	1.75
YXT-BB350-14P24A0(LC)	14	3.91	2.87	2.10
YXT-BB350-16P24A0(LC)	16	4.26	3.22	2.45
YXT-BB350-20P24A0(LC)	20	4.96	3.92	3.15
YXT-BB350-24P24A0(LC)	24	5.66	4.62	3.85

建议回流焊曲线条件

RECOMMENDED INFRARED REFLOW CONDITION

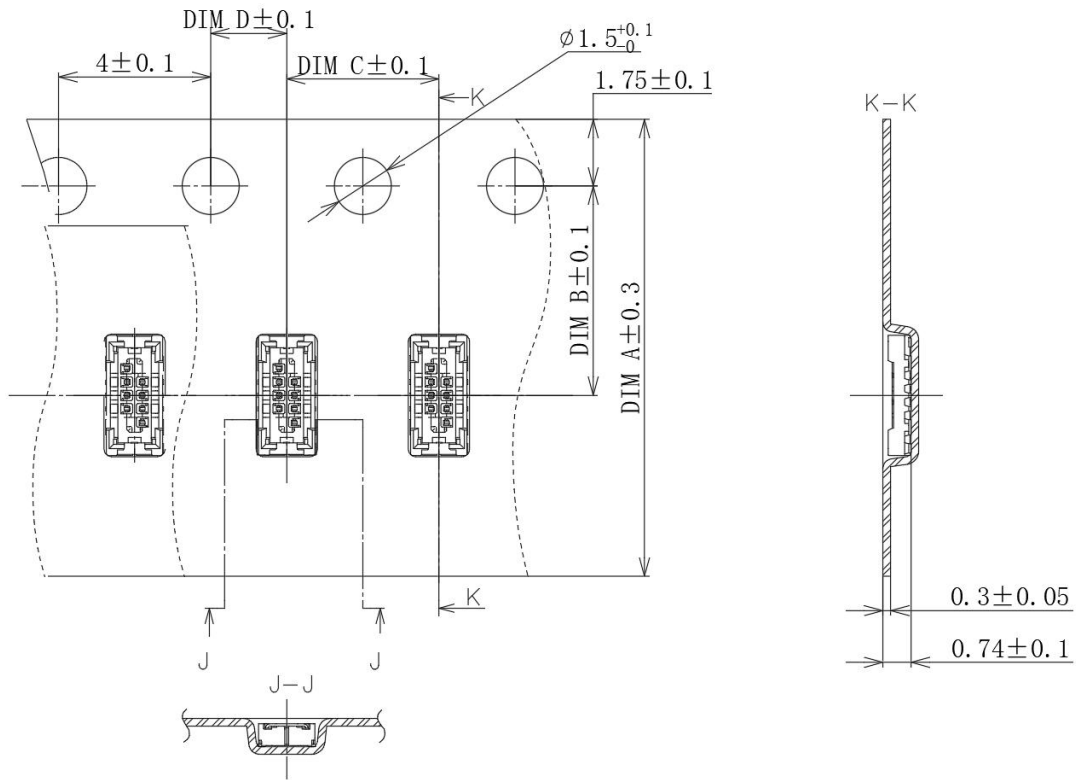


包装规范

母座载体尺寸

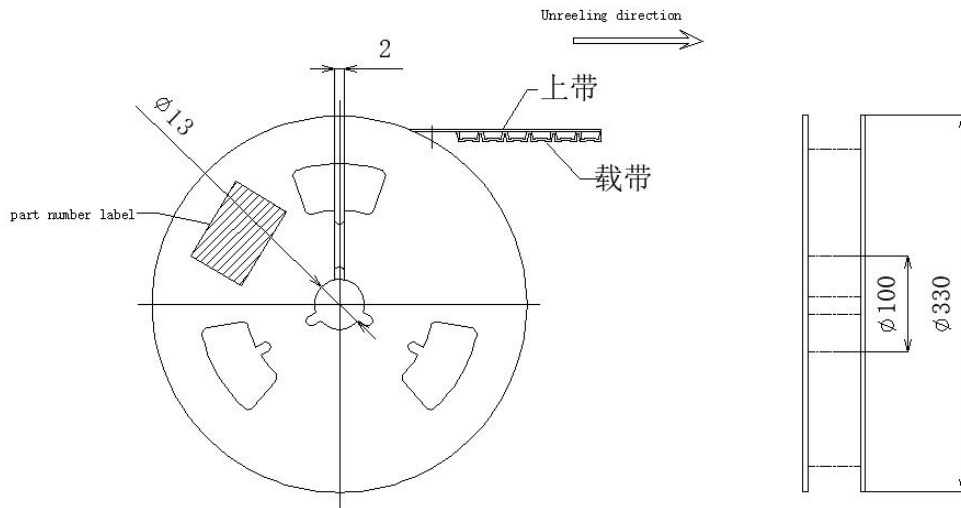
Packing Specification

Embossed Carrier Tape Dimensions-Socket



0.35mm Pitch,0.60mm Height,Board-to-Board/Board-to-FPC Connectors (BB350 Series)

包装盘尺寸-母座 Reel Dimensions--Socket



尺寸表（单位：毫米）

Dimension table (Unit: mm)

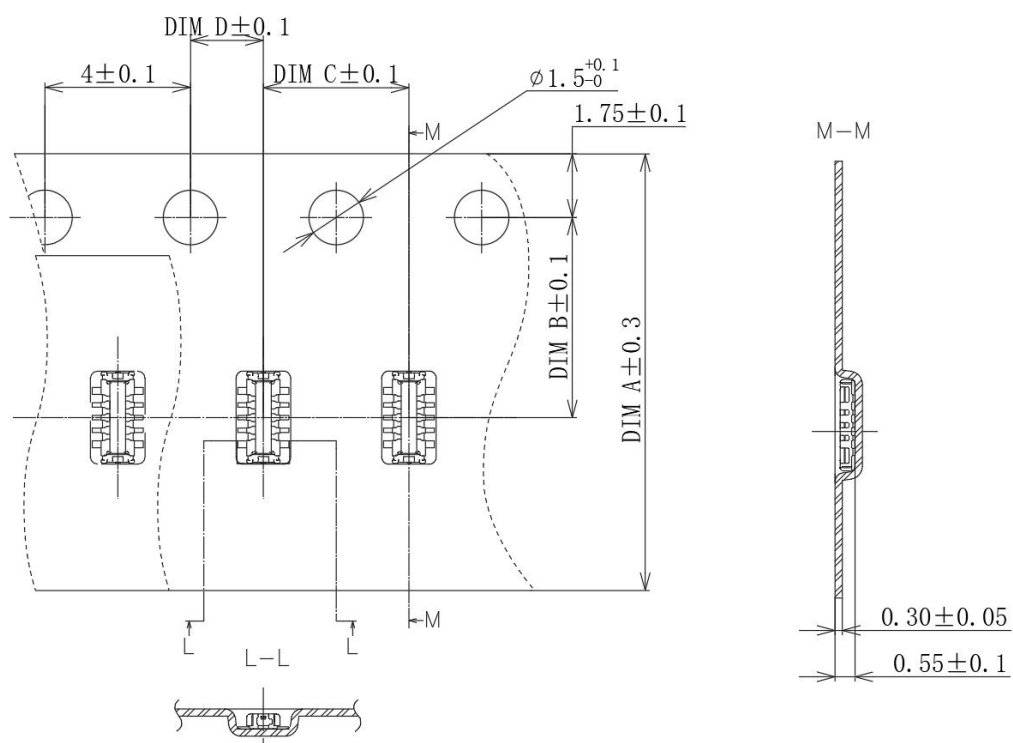
Part Number	A	B	C	D	Quantity(PC/REEL)
YXT-BB350-02S24A0(LC)	12	5.5	4	2	15000
YXT-BB350-04S24A0(LC)	12	5.5	4	2	15000
YXT-BB350-06S24A0(LC)	12	5.5	4	2	15000
YXT-BB350-08S24A0(LC)	12	5.5	4	2	15000
YXT-BB350-10S24A0(LC)	16	7.5	4	2	15000
YXT-BB350-12S24A0(LC)	16	7.5	4	2	15000
YXT-BB350-14S24A0(LC)	16	7.5	4	2	15000
YXT-BB350-16S24A0(LC)	16	7.5	4	2	15000
YXT-BB350-20S24A0(LC)	16	7.5	4	2	15000
YXT-BB350-24S24A0(LC)	16	7.5	4	2	15000

包装规范

公座载体尺寸

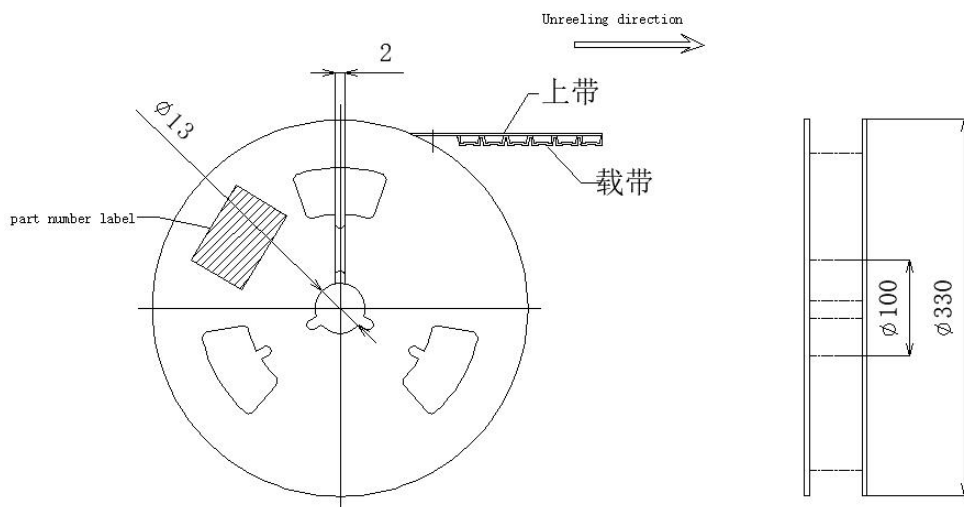
Packing Specification

Embossed Carrier Tape Dimensions-Plug



0.35mm Pitch,0.60mm Height,Board-to-Board/Board-to-FPC Connectors (BB350 Series)

包装盘尺寸-公座 Reel Dimensions--Plug



尺寸表 (单位: 毫米) Dimension table (Unit: mm)

Part Number	A	B	C	D	Quantity(PC/REEL)
YXT-BB350-02P24A0(LC)	12	5.5	4	2	15000
YXT-BB350-04P24A0(LC)	12	5.5	4	2	15000
YXT-BB350-06P24A0(LC)	12	5.5	4	2	15000
YXT-BB350-08P24A0(LC)	12	5.5	4	2	15000
YXT-BB350-10P24A0(LC)	16	7.5	4	2	15000
YXT-BB350-12P24A0(LC)	16	7.5	4	2	15000
YXT-BB350-14P24A0(LC)	16	7.5	4	2	15000
YXT-BB350-16P24A0(LC)	16	7.5	4	2	15000
YXT-BB350-20P24A0(LC)	16	7.5	4	2	15000
YXT-BB350-24P24A0(LC)	16	7.5	4	2	15000

产品组装的操作说明

Instruction of application to usage

组装插头时注意事项

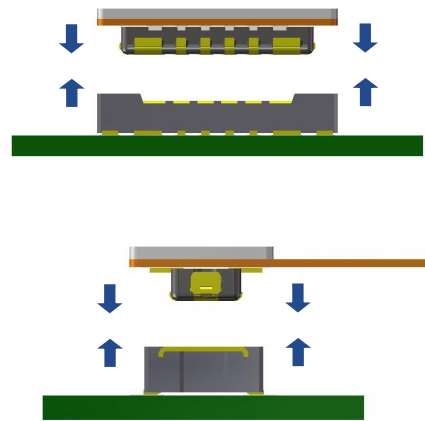
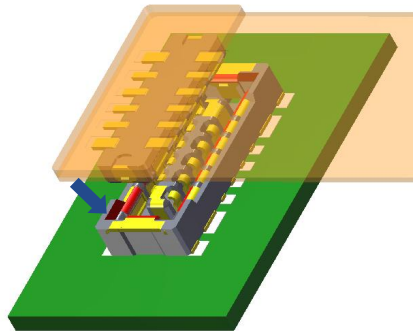
Notes when mating connector

1. 将插头与导轨对齐

连接器上设有与导轨配合的导向结构。保持公座侧和母座侧平衡后，请按下连接器。

1. Align the connector with the guide rail.

The connector is equipped with a guide structure to cooperate with the guide. Please press the connector after keeping the balance between the male seat side and the female seat side.



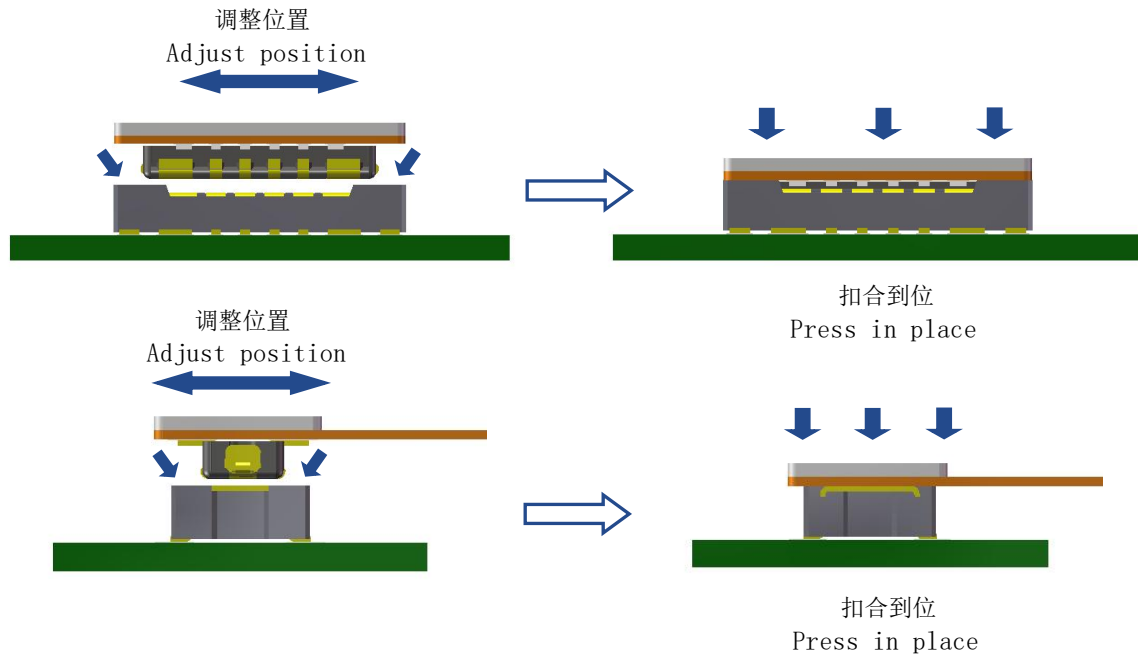
保持水平
Keep level

2. 扣合连接器

正确对准时，插头略微降低，通过在X和Y方向移动连接器确认正确位置。

2. Crimp the connector.

When correctly aligned, the plug is slightly lowered and the correct position is confirmed by moving the connector in the X and Y directions.



拆卸插头注意事项

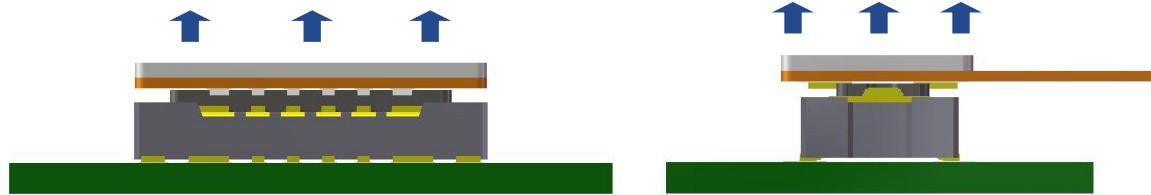
Notes when unmating connector

1. 垂直方向

拆卸接头时，请垂直拆卸插头。（当FPC的厚度等因素可能导致难以垂直拆卸时，轻轻摇晃接头，同时垂直拆卸）

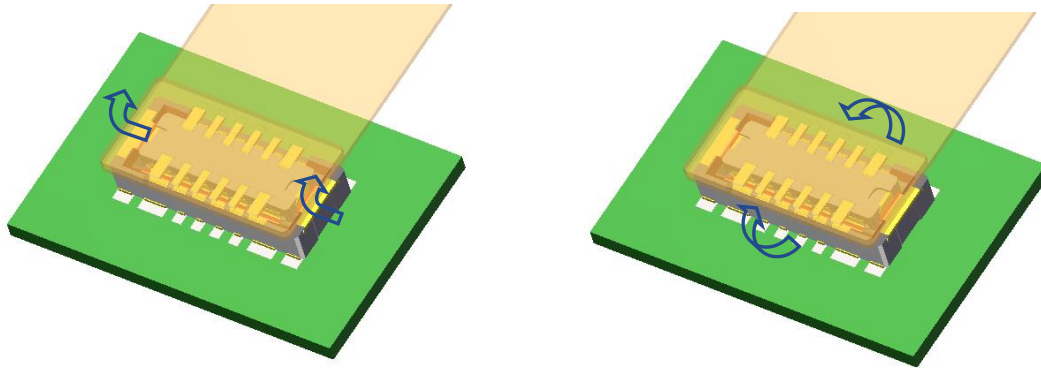
1. Vertical direction

When removing the connector, remove it vertically. (When the thickness of FPC or other factors may make it difficult to disassemble vertically, gently shake the connector and disassemble vertically at the same time)



OK

OK



轻轻摇晃接头，同时垂直取下

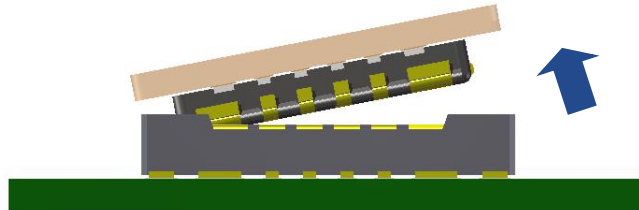
Gently shake the connector and remove it vertically at the same time

2. 纵向

倾斜的拔下插头

2. Longitudinal removal

Pull off the connector in an inclined manner



OK

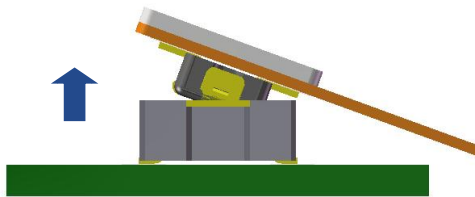
3. 横向

沿垂直方向拔出FPC的插头。水平地施加一个较大的力可能会使接触点变形。

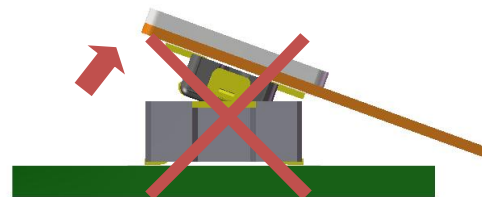
3. Lateral removal

Pull out the plug of the FPC in a vertical direction.

Applying a large force horizontally may deform the contact.



OK



NG