

电器性能规格 Electrical Characteristics:

额定电压 Rated Voltage: 24Vdc

接触电阻 Contact Resistance: 30 Mohm MAX

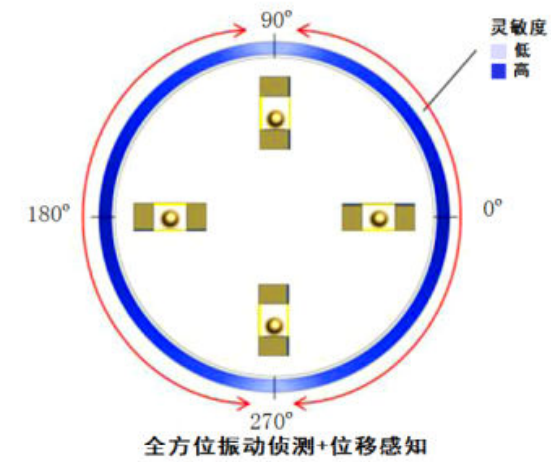
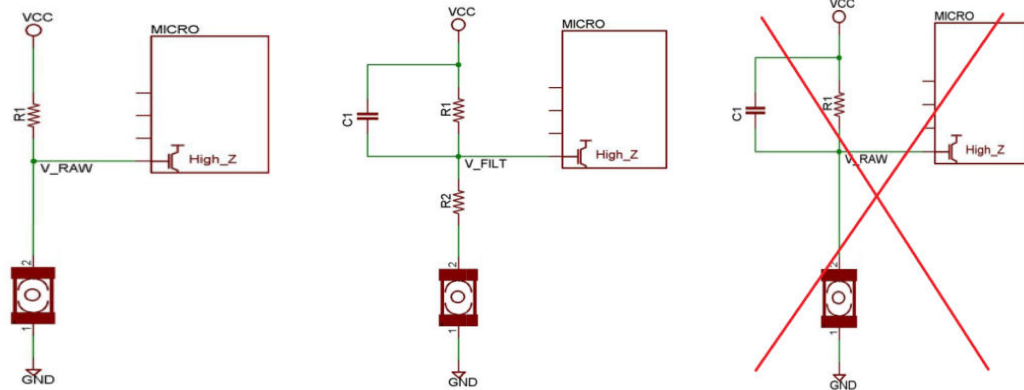
耐温 Temperature Range: -50 ~ 100

潮湿敏感等级 MSL : 1级

额定电流 Rated Current: 50nA(0.05uA)-10mA

绝缘电阻 Insulation Resistance: 100 Ohm Min

振动寿命 Vibration durability: 500 000 cycles



A4				
A3				
A2				
A1				
REV	DATE	REVISION	DESCRIPTION	ISSUE



COMMON TOLERANCE	
X.XX	± 0.10
X.X	± 0.15
X	± 0.25
ANGULAR	—

UNIT	MM	PROJECTED		PRODUCT NAME:
DRAWN BY	FUYUAN	CHECKED BY	COCO	MODEL NO: TP1625
DATE	2019	APPROVAL B	ALEN	Https: www.rocpcu.tw

ROCPCU TECHNOLOGY CO., LTD

Copies are issued in strict confidence and shall not be reproduced or copied, or used as the basis of manufacture or sale of apparatus without permission