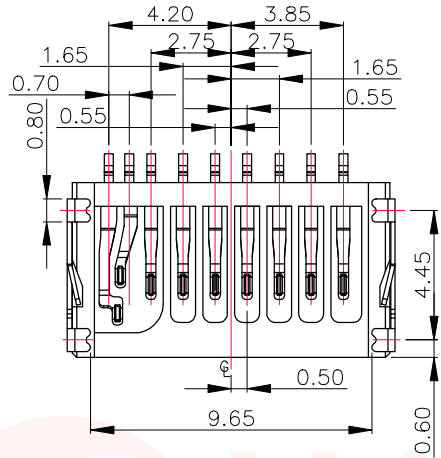
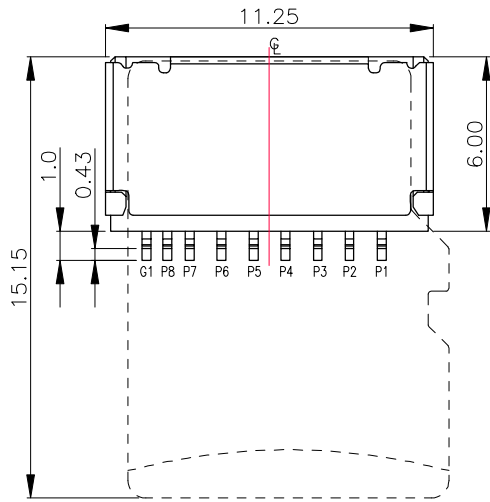
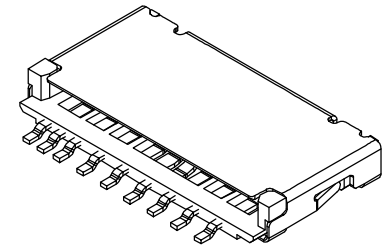




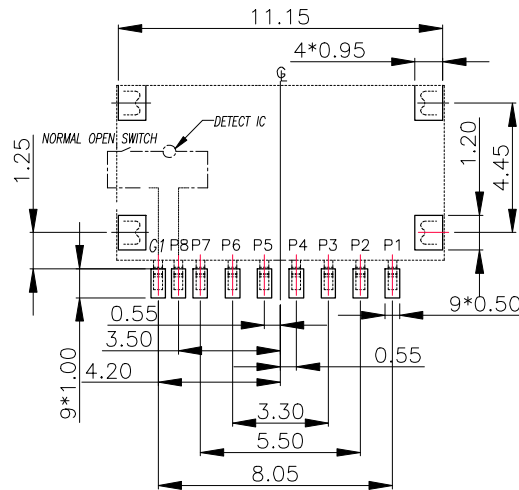
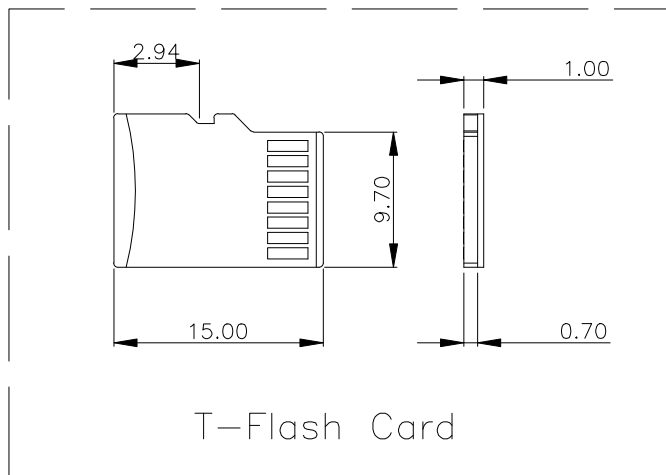
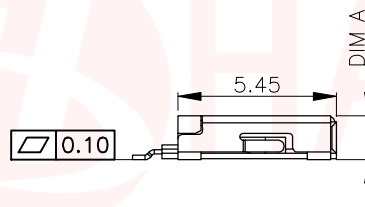
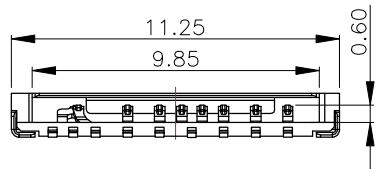
REV.	ECN NO OR DESCRIPTION	REVISED	DATE



Specification:

- ELECTRICAL CHARACTERISTICS
  - CONTACT RESISTANCE: 80 milliohms MAX.
  - INSULATION RESISTANCE: 1,000 Megohms MIN.
  - DIELECTRIC WITHSTANDING VOLTAGE: 500V AC FOR 1 MINUTE.
- MECHANICAL CHARACTERISTICS
  - DURABILITY: 3,000 CYCLES
- RoHS 2002/95/EC COMPLIANT.

Pin No.	Pin assignment
PIN1	DAT2
PIN2	CD/DAT3
PIN3	CMD
PIN4	VDD
PIN5	CLK
PIN6	VSS
PIN7	DAT0
PIN8	DAT1
G1	SWITCH



RECOMMENDED P.C.B HOLE LAYOUT  
COMPONENT SIDE VIEW(TOLERANCE: +/-0.05)

C	SHELL	1	STAINLESS STEEL 0.15t	Ni PLATING
B	CONTACT	9	COPPER ALLOY 0.15t	Gold Flash On Contact Area Tin plated on Solder tail All over Nickel Plated .
A	HOUSING	1	HIGH-TEMPERATURE PLASTIC UL94-V0	BLACK
NO	DESCRIPTION	QTY	MATERIAL	PLATING & COLOR

UNLESS OTHERWISE SPECIFIED TOLERANCES

DECIMALS:	ANGLES:
X :±0.50	X :±2°
X.X :±0.30	X.X :±1°
X.XX :±0.20	



东莞市汉博电子科技有限公司  
DONGGUAN HANBO TECHNOLOGY CO., LTD

TITLE	T-FLASH CONN 9P SIM PLE SOCKET		
DWN	xiong	PART NO. TF-018	
CHKD	lee	SCALE:1:1	UNIT: mm
APVD	wang	SIZE: A4	SHEET:10F 1
			REV: A4

CUSTOMER COPY