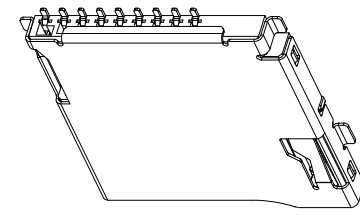
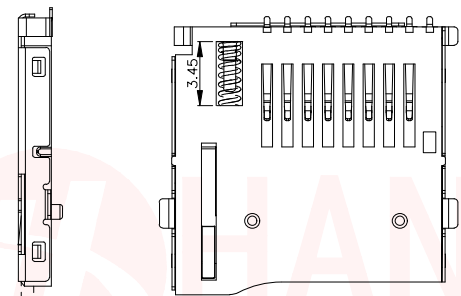
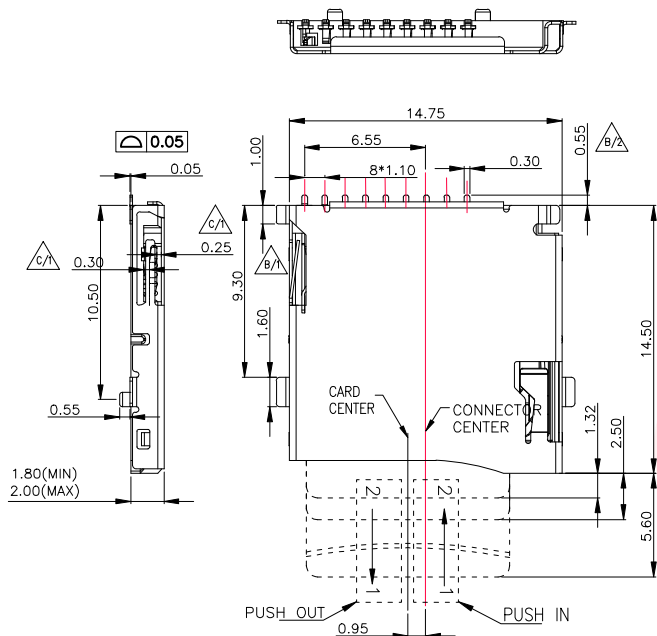
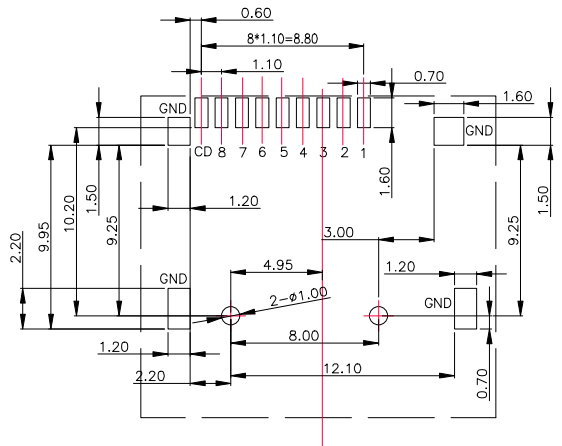
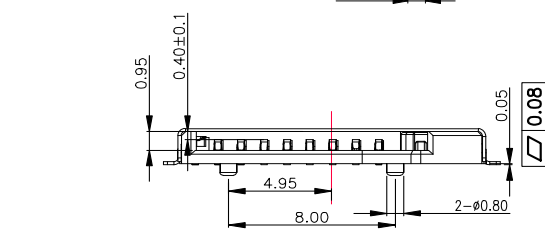




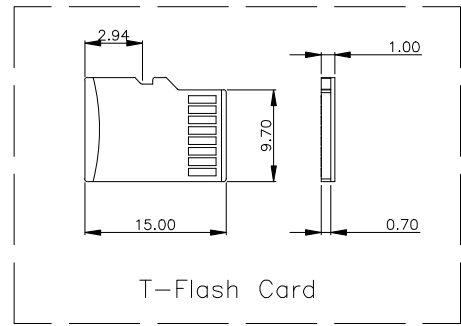
|      |                       |         |      |
|------|-----------------------|---------|------|
| REV. | ECN NO OR DESCRIPTION | REVISED | DATE |
|      |                       |         |      |
|      |                       |         |      |



NOTES:  
 1.MATERIAL:  
 HOUSING: HIGH TEMPERATURE THERMOPLASTIC UL94V\_0,COLOR:BLACK.  
 CONTACT: COPPER ALLOYS.  
 COVER: COPPER ALLOYS OR STEEL.  
 2.PLATING:  
 UNDERPLATE: NICKEL.  
 CONTACT AREA: GOLD OVER NICKEL.  
 SOLDER AREA: TIN OVER NICKEL.  
 3.MULTIMEDIA CARD COMPATIBLE



| PIN NO. | NAME    | YYPE   | DESCRIPTION                |
|---------|---------|--------|----------------------------|
| 1       | DAT2    | I/O/PP | DATE LINE(BIT2)            |
| 2       | CD/DAT3 | I/O/PP | CARD DETECT DATE LIN(BIT3) |
| 3       | CMD     | PP     | COMMAND RESPONSE           |
| 4       | VDD     | S      | SUPPLY VOLTAGE             |
| 5       | CLX     | I      | CLOCK                      |
| 6       | VSS     | S      | SUPPLY VOLTAGE GROUND      |
| 7       | DATO    | I/O/PP | DATE LINE(BIT0)            |
| 8       | DAT1    | I/O/PP | DATE LINE(DIT1)            |
| 9       | CD      | CD     | CD                         |



RECOMMENDED P.C.B HOLE LAYOUT COMPONENT SIDE VIEW(TOLERANCE: +/-0.05)

UNLESS OTHERWISE SPECIFIED TOLERANCES

DECIMALS: X :±0.5 X.X :±0.20 X.XX :±0.10

ANGLES: X :±2° X.X :±1°

TITLE T-FLASH 外焊 PUSH

DWN xiong TF-012

CHKD lee SCALE:1:1 UNIT: mm

APVD wang SIZE: A4 SHEET:10F 1 REV: A4

CUSTOMER COPY

东莞市汉博电子科技有限公司  
 DONGGUAN HANBO TECHNOLOGY CO., LTD