

Low voltage transmission circuits with dialler interface

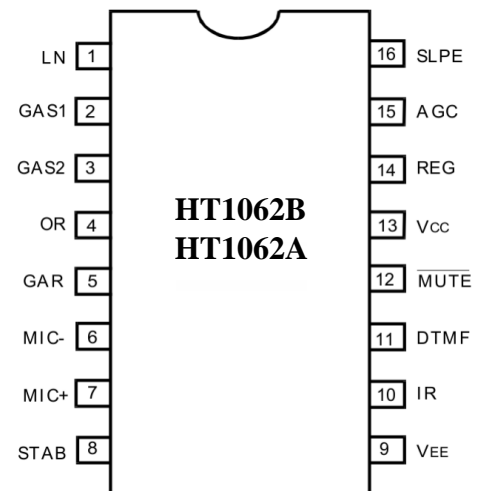
(HT1062B PIN TEA1062&HT1062A PIN TEA1062A)

The **HT1062B** and **HT1062A** are integrated circuits that perform all speech and line interface functions required in fully electronic telephone sets. They perform electronic switching between dialing and speech. The ICs operates at line voltage down to 1.6 V DC (with reduced performance) to facilitate the use of more telephone sets connected in parallel.

All statements and values refer to all versions unless otherwise specified. The **HT1062B** (**HT1062A**) is packaged in a standard 16-pin plastic DIP and special plastic DIP with internal heatsink is also available.

FEATURES

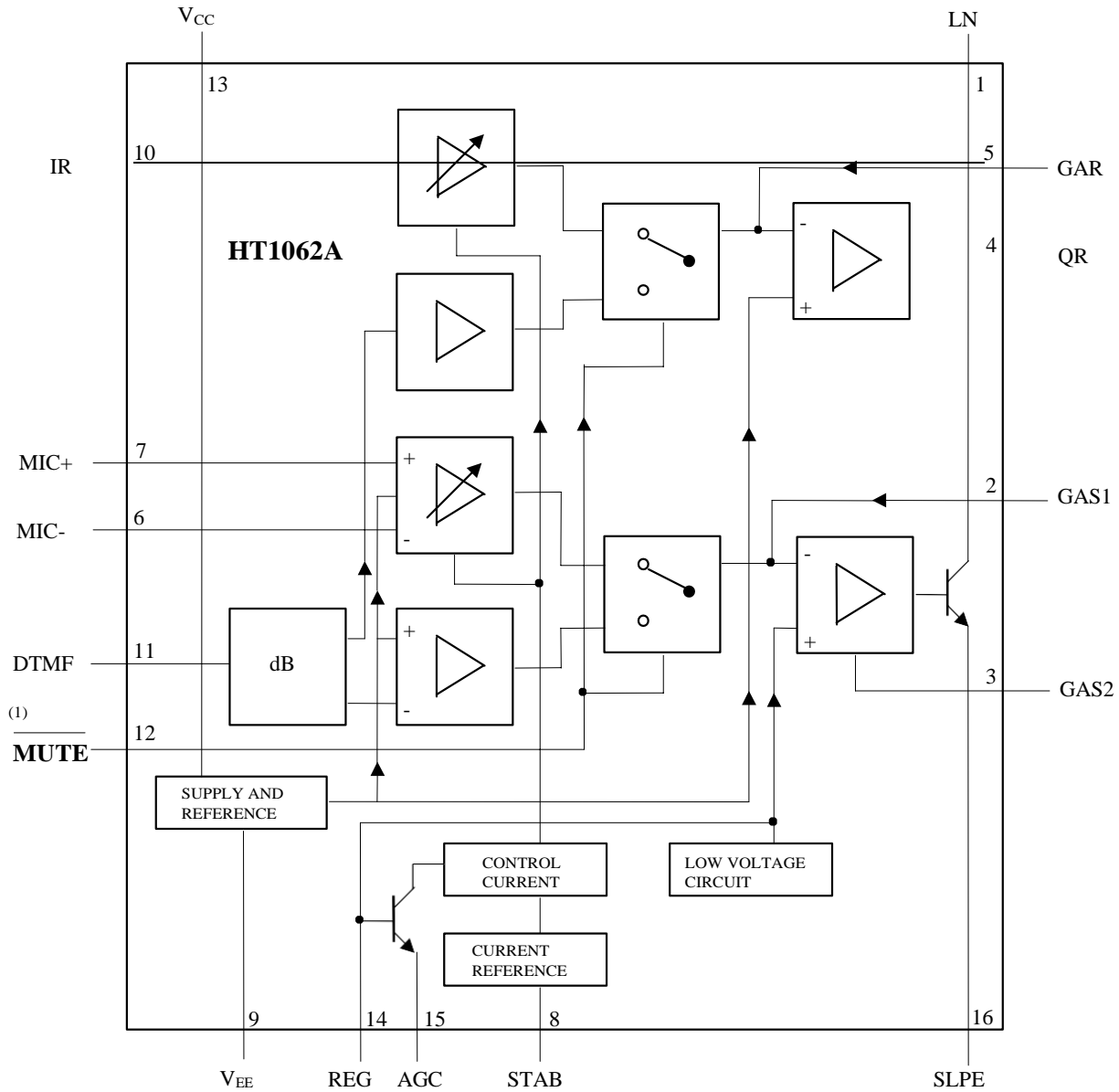
- Low DC line voltage; operates down to 1.6V (excluding polarity guard)
- Voltage regulator with adjustable static resistance
- Provides a supply for external circuits
- Symmetrical high-impedance inputs (64 k Ω) for dynamic, magnetic or piezo-electric microphones
- Asymmetrical high-impedance input (32 k Ω) for electret microphones
- DTMF signal input with confidence tone
- Mute input for pulse or DTMF dialing
 - HT1062B: active HIGH (MUTE)
 - HT1062A: active LOW (MUTE)
- Receiving amplifier for dynamic, magnetic or piezo-electric earpieces
- Large gain setting range on microphone and earpiece amplifiers
- Line loss compensation (line current dependent) for Microphone and earpiece amplifiers
- Gain control curve adaptable to exchange supply
- DC line voltage adjustment facility



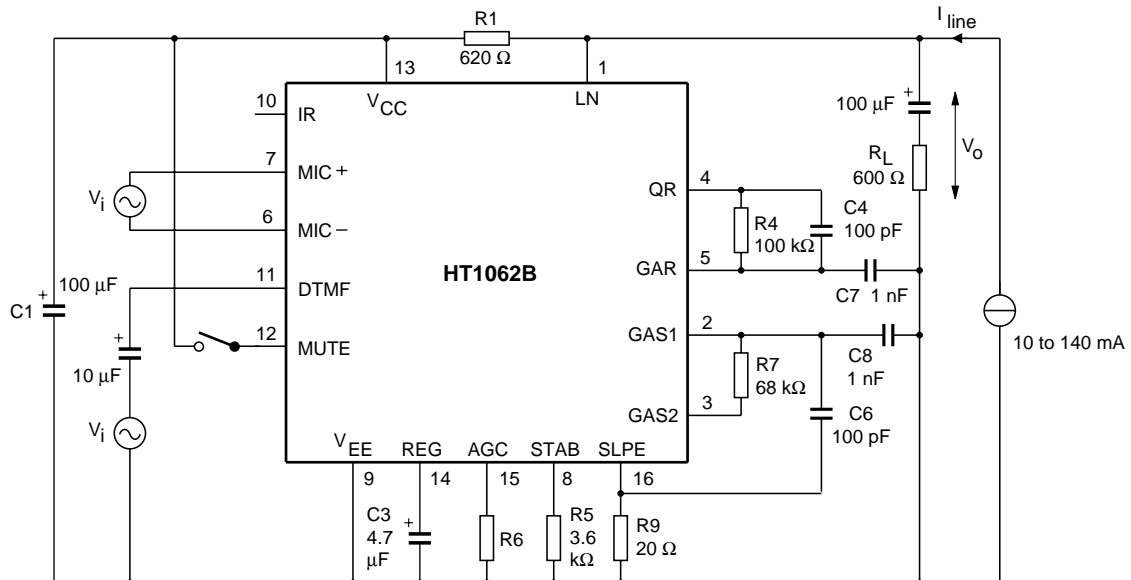
QUICK REFERENCE DATA

Characteristic	Symbol	Test Condition	Min	Typ	Max	Unit
Line Voltage	V_{LN}	$I_{line} = 15mA$	3.55	4.0	4.25	V
Operating Line Current	I_{line}			2.0		V_{dc}
Normal Operation			11		140	mA
with Reduced Performance			1		11	mA
Internal Supply Current	I_{CC}	$V_{CC} = 2.8V$		0.9	1.35	mA
Supply Voltage for Peripherals	V_{CC}	$I_{line} = 15mA$ $I_p = 1.2mA$ $I_p = 0mA$	2.2 2.2	2.7 3.4		V
Voltage Gain	G_V					
microphone amplifier			44		52	dB
receiving amplifier			20		31	dB
Line loss compensation						
Gain Control	ΔG_V			5.8		dB
Exchange Supply Voltage	V_{exch}		36		60	V

BLOCK DIAGRAM



(1) Pin 12 is active HIGH (MUTE) for HT1062B.

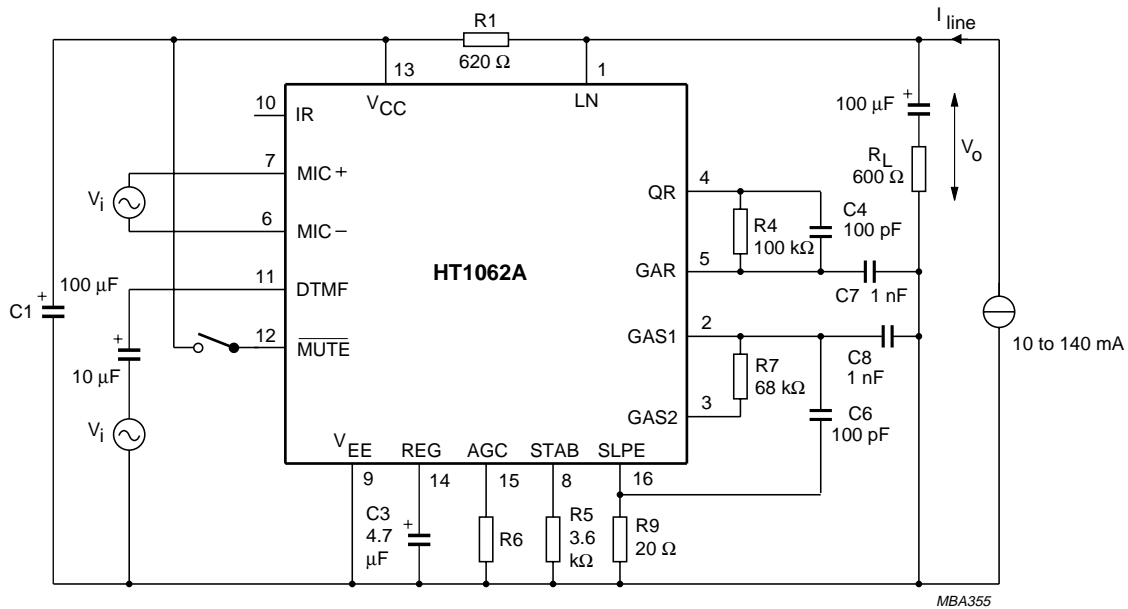
Test circuit for defining HT1062B voltage gain of MIC+, MIC- and DTMF inputs.


Voltage gain is defined as $G_v = 20 \log |V_o/V_i|$.

For measuring gain from MIC+ and MIC- the MUTE input should be LOW or open-circuit.

For measuring the DTMF input, the MUTE input should be HIGH.

Inputs not being tested should be open-circuit.

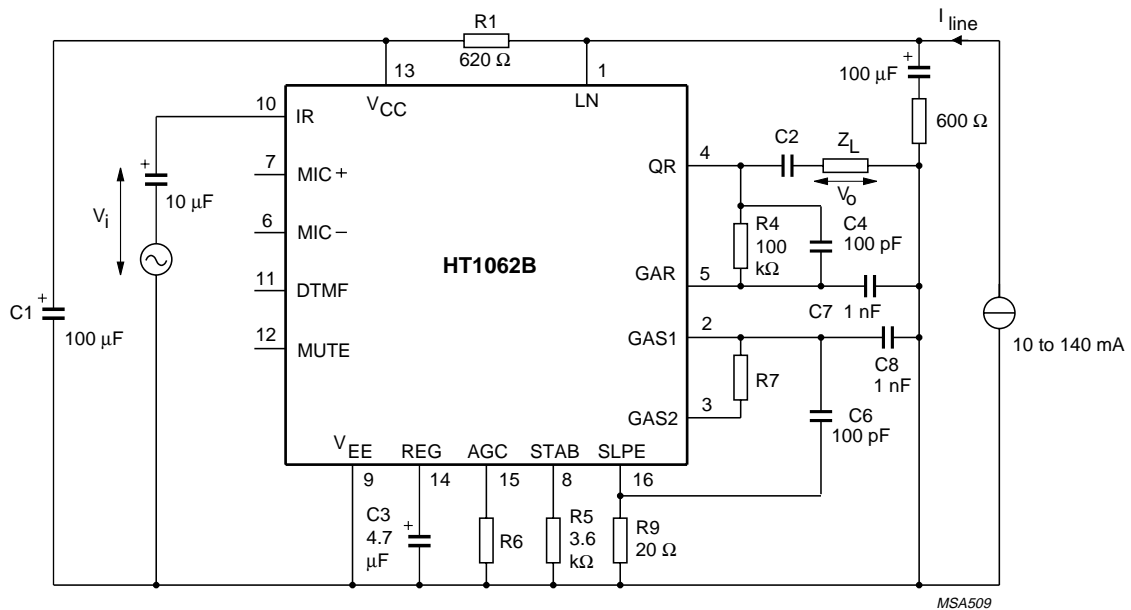
Test circuit for defining HT1062A voltage gain of MIC+, MIC- and DTMF inputs.


Voltage gain is defined as $G_v = 20 \log |V_o/V_i|$.

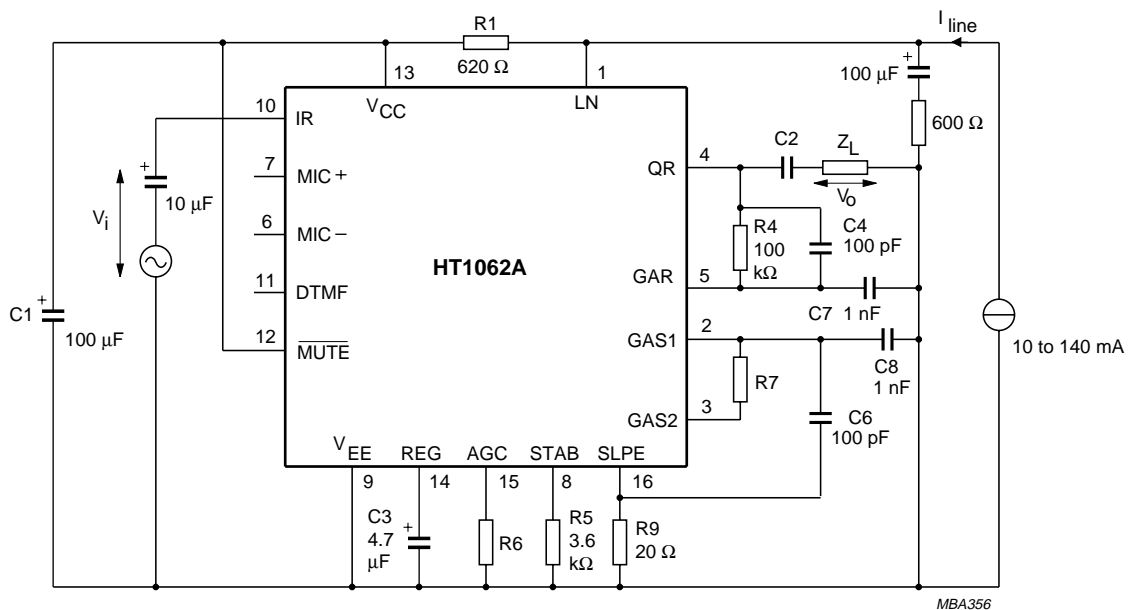
For measuring gain from MIC+ and MIC- the MUTE input should be HIGH.

For measuring the DTMF input, the MUTE input should be LOW or open-circuit.

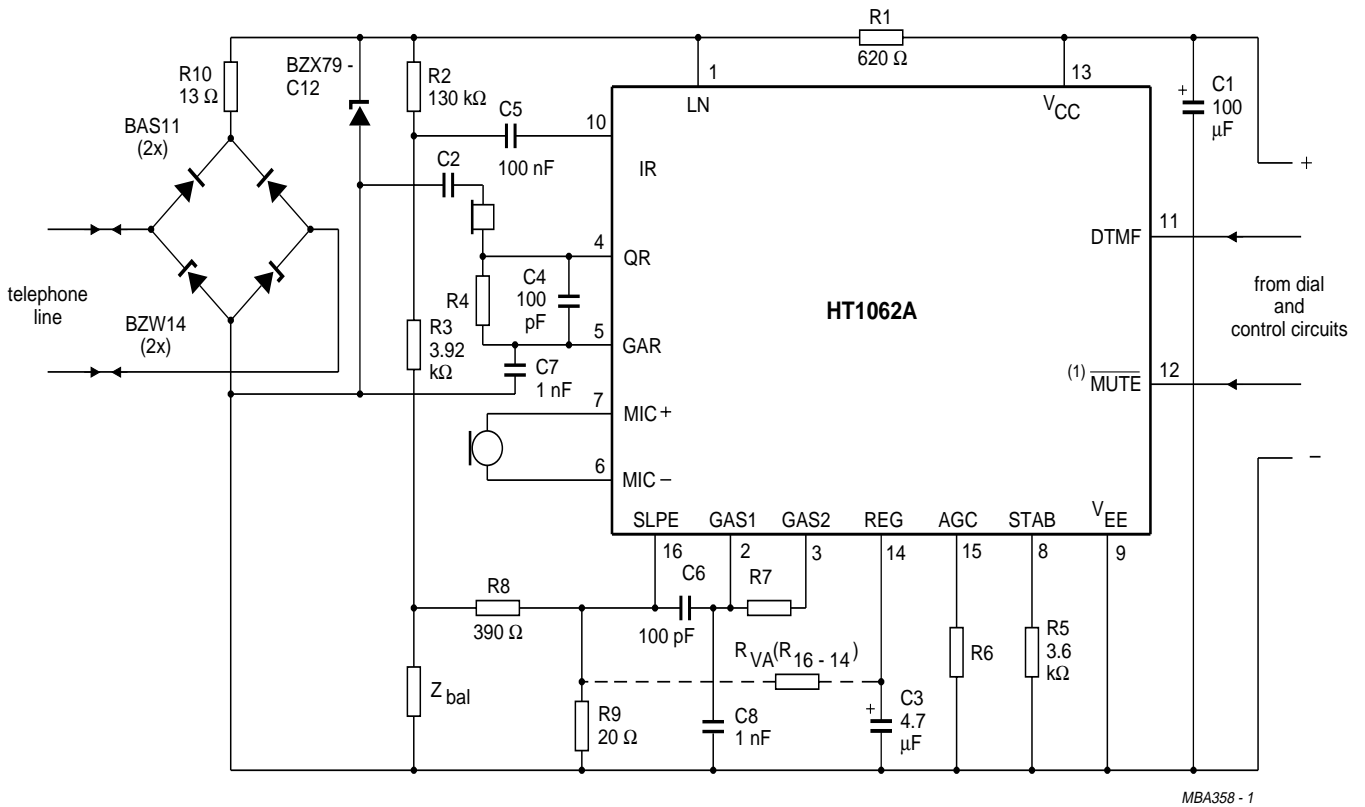
Inputs not being tested should be open-circuit.

Test circuit for defining HT1062B voltage gain of the receiving amplifier.


Voltage gain is defined as $G_v = 20 \log |V_o/V_i|$.

Test circuit for defining HT1062A voltage gain of the receiving amplifier.


Voltage gain is defined as $G_v = 20 \log |V_o/V_i|$.

APPLICATION INFORMATION
Typical application of HT1062A, with piezoelectric earpiece and DTMF dialling.


MBA358 - 1

The diode bridge, the Zener diode and R10 limit the current into, and the voltage across, the circuit during line transients.

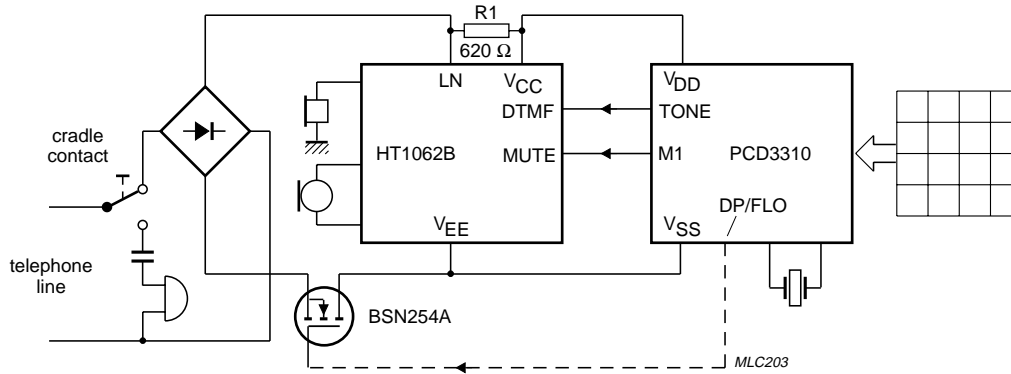
A different protection arrangement is required for pulse dialling or register recall.

The DC line voltage can be set to a higher value by the resistor R_{VA} (REG to SLPE).

Further application information can be found in our publication "Applications Handbook for Wired telecom systems, IC03b", order number 9397 750 00811.

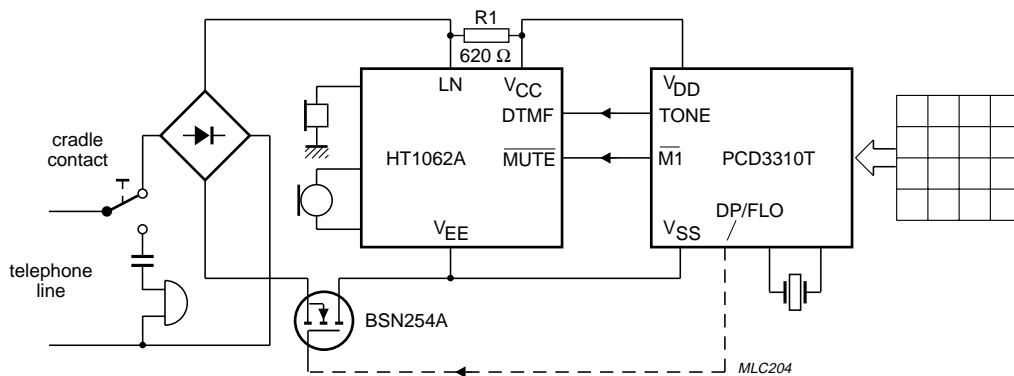
(1) Pin 12 is active HIGH (MUTE) for HT1062B.

Typical simplified application of the HT1062B.



(a) DTMF pulse set with CMOS bilingual dialling circuit PCD3310. The dashed line shows an optional flash (register recall by timed loop break).

Typical simplified application of the HT1062A.



(a) DTMF pulse set with CMOS bilingual dialling circuit PCD3310T. The dashed line shows an optional flash (register recall by timed loop break).

FUNCTION DESCRIPTION

Supplies V_{CC} , LN, SLPE, REG and STAB

Power for the IC and its peripheral circuits is usually obtained from the telephone line. The supply voltage is delivered from the line via a dropping resistor and regulated by the IC. The supply voltage V_{CC} may also be used to supply external circuits e.g. dialing and control circuits.

Decoupling of the supply voltage is performed by a capacitor between V_{CC} and V_{EE} . The internal voltage regulator is decoupled by a capacitor between REG and V_{EE} .

The DC current flowing into the set is determined by the exchange supply voltage V_{exch} , the feeding bridge resistance R_{exch} and the DC resistance of the telephone line R_{line} .

The circuit has internal current stabilizer operating at a level determined by a 3.6 k Ω resistor connected between STAB and V_{EE} (see Fig.6). When the line current (I_{line}) is more than 0.5mA greater than the sum of the IC supply current (I_{CC}) and the current drawn by the peripheral circuitry connected to V_{CC} (I_p) the excess current is shunted to V_{EE} via LN.

The regulated voltage on the line terminal (V_{LN}) can be calculated as:

$$V_{LN} = V_{ref} + I_{SLPE} \times R9$$

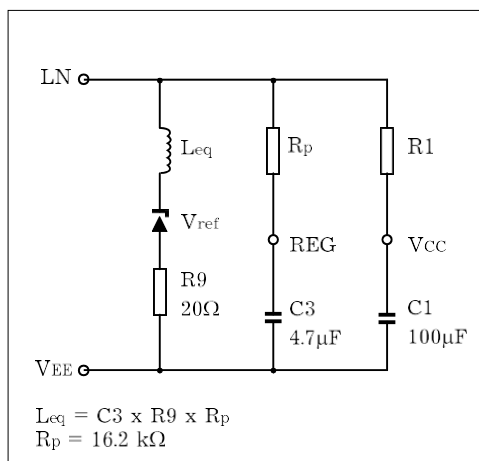
$$V_{LN} = V_{ref} + \{(I_{line} - I_{CC} - 0.5 \times 10^{-3}A) - I_p\} \times R9$$

V_{ref} is an internally generated temperature compensated reference voltage of 3.7V and R9 is an external resistor connected between SLPE and V_{EE} .

In normal use the value of R9 would be 20 Ω .

Changing the value of R9 will also affect microphone gain, DTMF gain, gain control characteristics, sidetone level, maximum output swing on LN and the DC characteristics (especially at the lower voltages).

Fig.2 Equivalent impedance circuit



Under normal conditions, when $I_{SLPE} \gg I_{CC} + 0.5\text{mA} + I_p$, the static behaviour of the circuit is that of a 3.7V regulator diode with an internal resistance equal to that of R9. In the audio frequency range the dynamic impedance is largely determined by R1. Fig.2 show the equivalent impedance of the circuit.

At line currents below 9mA the internal reference voltage is automatically adjusted to a lower value (typically 1.6V at 1mA). This means that more sets can be operated in parallel with DC line voltage (excluding the polarity guard) down to an absolute minimum voltage of 1.6V. At line currents below 9mA the circuit has limited sending and receiving levels. The internal reference voltage can be adjusted by means of an external resistor (R_{VA}). This resistor when connected between LN and REG will decrease the internal reference voltage and when connected between REG and SLPE will increase the internal reference voltage.

Microphone inputs MIC+ and MIC- and gain pins GAS1 and GAS2

The circuit has symmetrical microphone inputs. Its input impedance is 64 k Ω (2 x 32k Ω) and its voltage gain is typically 52 dB (when R7 = 68k Ω ; see Fig.6).

Dynamic, magnetic, piezo-electric or electret (with built-in FET source followers) can be used.

The gain of the microphone amplifier can be adjusted between 44 dB and 52 dB to suit the sensitivity of the transducer in use. The gain is proportional to the value of R7 which is connected between GAS1 and GAS2.

Stability is ensured by two external capacitors, C6 connected between GAS1 and SLPE and C8 connected between GAS1 and VEE. The value of C6 is 100pF but this may be increased to obtain a first-order low-pass filter. The value of C8 is 10 times the value of C6. The cut-off frequency corresponds to the time constant R7 x C6.

Input MUTE (HT1062A)

When MUTE is LOW or open-circuit, the DTMF input is enable and the microphone and receiving amplifier inputs are inhibited. The reverse is true when MUTE is HIGH.

MUTE switching causes only negligible clicking on the line and earpiece output. If the number of parallel sets in use causes a drop in line current to below 6 mA the DTMF amplifier becomes active independent to the DC level applied to the MUTE input.

Dual-tone multi-frequency input DTMF

When the DTMF input is enable dialing tones may be sent on to the line. The voltage gain from DTMF to LN is typically 25.5 dB (when R7=68k Ω) and varies with R7 in the same way as the microphone gain. The signaling tones can be heard in the earpiece at a low level (confidence tone).

Receiving amplifier IR, QR and GAR

The receiving amplifier has one input (IR) and a non-inverting output (QR). The IR to QR gain is typically 31dB (when R4 = 100k Ω). It can be adjusted between 20 and 31dB to match the sensitivity of the transducer in use. The gain is set with the value of R4 which is connected between GAR and QR. The overall receive gain, between LN and QR, is calculated by subtracting the anti-sidetone network attenuation (32dB) from the amplifier gain. Two external capacitors, C4 and C7, ensure stability. C4 is normally 100pF and C7 is 10 times the value of C4. The value of C4 may be increased to obtain a first-order low-pass filter. The cut-off frequency will depend on the time constant R4 x C4.

The output voltage of the receiving amplifier is specified for continuous-wave drive. The maximum output voltage will be higher under speech conditions where the peak to RMS ratio is higher.

Automatic gain control input AGC

Automatic line loss compensation is achieved by connecting a resistor (R6) between AGC and V_{EE}.

The automatic gain control varies the gain of the microphone amplifier and the receiving amplifier in accordance with the DC line current. The control range is 5.8 dB which corresponds to a line length of 5 km for a 0.5mm diameter twisted-pair copper cable with a DC resistance of 176 Ω /km and average attenuation of 1.2dB/km. Resistor R6 should be chosen in accordance with the exchange supply voltage and its feeding bridge resistance. The ratio of start and stop currents of the AGC curve is independent of the value of R6. If no automatic line-loss compensation is required the AGC pin may be left open-circuit. The amplifiers, in this condition, will give their maximum specified gain.

Sidetone suppression

The anti-sidetone network, $R1//Z_{line}$, $R2$, $R3$, $R8$, $R9$ and Z_{bal} suppresses the transmitted signal in the earpiece. Maximum compensation is obtained when the following conditions are fulfilled:

$$R9 \times R2 = R1 \times R3 + \left(\frac{R8 \times Z_{bal}}{R8 + Z_{bal}} \right) \quad (1)$$

$$\frac{Z_{bal}}{Z_{bal} + R8} = \frac{Z_{line}}{Z_{line} + R1} \quad (2)$$

If fixed values are chosen for $R1$, $R2$, $R3$ and $R9$, then condition (1) will always be fulfilled when
 To obtain optimum sidetone suppression, condition (2) has to be fulfilled which results in:

$$Z_{bal} = \frac{R8}{R1} \times Z_{line} = k \times Z_{line}$$

Where k is scale factor; $k = \frac{R8}{R1}$

The scale factor k , dependent on the value of $R8$, is chosen to meet the following criteria:

- compatibility with a standard capacitor from the E6 or E12 range for Z_{bal}
- $|Z_{bal}/R8| \ll R8$ fulfilling condition (a) and thus ensuring correct anti-sidetone bridge operation
- $|Z_{bal} + R8| \gg R9$ to avoid influencing the transmit gain.

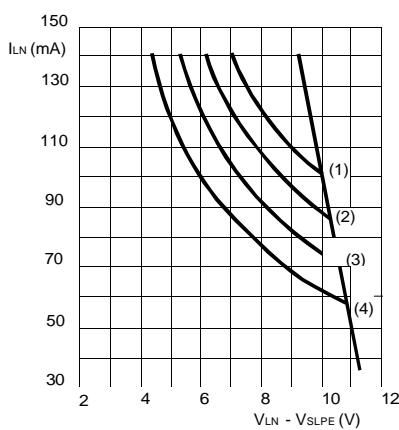
In practise Z_{line} varies considerably with the line type and length. The value chosen for Z_{bal} should therefore be for an average line thus giving optimum setting for short or long lines.

ABSOLUTE MAXIMUM RATING

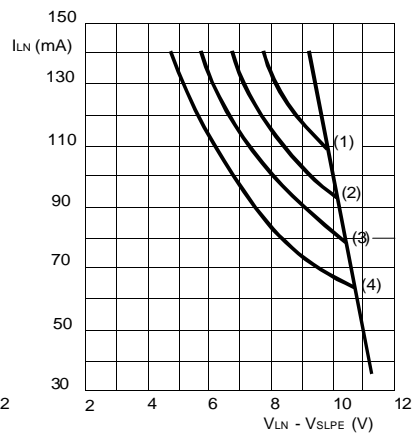
Characteristic		Symbol	Test Condition	Min	Typ	Max	Unit
Positive Continuous Line Voltage		V_{LN}				12	V
Repetitive Line Voltage During Switch-on or Line Interruption		$V_{LN(R)}$				13.2	V
Repetitive Peak Line Voltage for a 1ms Pulse per 5s		$V_{LN(RM)}$	R9 = 20Ω; R10 = 13Ω; see Fig.6			28	V
Line Current		I_{line}	R9 = 20Ω; note 1			140	mA
Input Voltage on all other Pins		V_I		-0.7		$V_{CC}+0.7$	V
Total Power Dissipation	Standard DIP	P_{tot}	R9 = 20Ω; note 2			0.58	W
	DIP with heatsink					0.67	
Operating Ambient Temperature		T_A		-25		+75	°C
Storage Temperature		T_{stg}		-40		+125	°C
Junction Temperature		T_j				+125	°C

Notes

- Mostly dependent on the maximum required T_A and on the voltage between LN and SLPE.
- Calculated for the maximum ambient temperature specified and a maximum junction temperature of 125°C. (Thermal Resistance $R_{JA} = 85^\circ\text{C/W}$ for standard DIP and $R_{JA} = 75^\circ\text{C/W}$ for special DIP with heatsink).



- (1) $T_A = 45^\circ\text{C}$; $P_{tot} = 0.94\text{ W}$
- (2) $T_A = 55^\circ\text{C}$; $P_{tot} = 0.82\text{ W}$
- (3) $T_A = 65^\circ\text{C}$; $P_{tot} = 0.71\text{ W}$
- (4) $T_A = 75^\circ\text{C}$; $P_{tot} = 0.58\text{ W}$



- (1) $T_A = 45^\circ\text{C}$; $P_{tot} = 1.07\text{ W}$
- (2) $T_A = 55^\circ\text{C}$; $P_{tot} = 0.93\text{ W}$
- (3) $T_A = 65^\circ\text{C}$; $P_{tot} = 0.80\text{ W}$
- (4) $T_A = 75^\circ\text{C}$; $P_{tot} = 0.67\text{ W}$

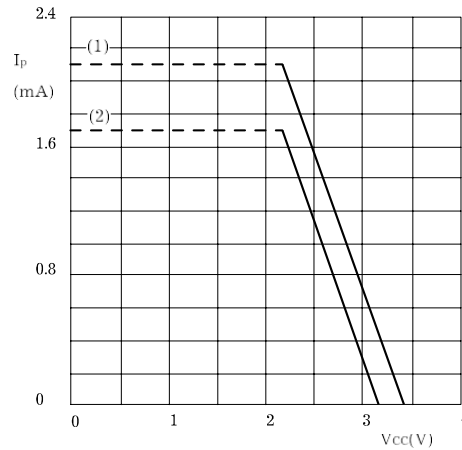
Fig.3a Safe operating area (Standard DIP)

Fig.3b Safe operating area (DIP with HS)

ELECTRICAL CHARACTERISTICS
 $I_{line} = 11\text{mA to mA}$; $V_{EE} = 0\text{V}$; $f = 800\text{Hz}$; $T_A = 25^\circ\text{C}$; unless otherwise specified.

Characteristic	Symbol	Test Condition	Min	Typ	Max	Unit
Voltage Drop over Circuit between LN and V_{EE}	V_{LN}	MIC inputs open-circuit $I_{line} = 1\text{mA}$ $I_{line} = 4\text{mA}$ $I_{line} = 15\text{mA}$ $I_{line} = 100\text{mA}$ $I_{line} = 140\text{mA}$		1.6 1.9 4.0 5.7	4.25 6.5 7.5	V
Variation with Temperature	$ V_{LN}/T$	$I_{line} = 15\text{mA}$		-0.3		$\text{mV}/^\circ\text{C}$
Voltage Drop over Circuit Between LN and V_{EE} with External Resistor R_{VA}	V_{LN}	$I_{line} = 15\text{mA}$ $R_{VA}(\text{LN to REG}) = 68\text{k}\Omega$ $R_{VA}(\text{REG to SLPE}) = 39\text{k}\Omega$		3.5 4.5		V
Supply Current	I_{CC}	$V_{CC} = 2.8\text{V}$		0.9	1.35	mA
Supply Voltage available for Peripheral Circuitry	V_{CC}	$I_{line} = 15\text{mA}$; $I_p = 1.2\text{mA}$	2.2	2.7 3.4		V
Microphone inputs MIC- and MIC+ (pins 6 and 7)						
Input Impedance Differential	$ Z_i $	between MIC- and MIC+		64		$\text{k}\Omega$
Single-ended		MIC- or MIC+ to V_{EE}		32		$\text{k}\Omega$
Common mode rejection ratio	CMRR			82		dB
Voltage Gain MIC+ or MIC- to LN	G_v	$I_{line} = 15\text{mA}$; $R_7 = 68\text{k}\Omega$	50.5	52.0	53.5	dB
Gain Variation with Frequency referenced to 800Hz	ΔG_{vf}	$f = 300$ and 3400 Hz		\oplus 0.2		dB
Gain Variation with Temperature referenced to 25°C	ΔG_{vT}	without R_6 ; $I_{line} = 50\text{mA}$; $T_A = -25$ and $+75^\circ\text{C}$		\oplus 0.2		dB
DTMF Input (Pin 11)						
Input Impedance	$ Z_i $			20.7		$\text{k}\Omega$
Voltage Gain from DTMF to LN	G_v	$I_{line} = 15\text{mA}$; $R_7 = 68\text{k}\Omega$	243.0	25.5	27.0	dB
Gain Variation with Frequency referenced to 800Hz	ΔG_{vf}	$f = 300$ and 3400 Hz		0.2		dB
Gain Variation with Temperature referenced to 25°C	ΔG_{vT}	$I_{line} = 50\text{mA}$; $T_A = -25$ and $+75^\circ\text{C}$		0.2		dB
Gain adjustment inputs GAS1 and GAS2 (Pins2 and 3)						
Transmitting Amplifier Gain variation by adjustment of R_7 between GAS1 and GAS2	ΔG_v		-8		0	dB
Sending amplifier output LN (Pin1)						
Output Voltage (RMS value)	$V_{LN(\text{rms})}$	THD = 10 % $I_{line} = 4\text{mA}$ $I_{line} = 15\text{mA}$	1.7	0.8 2.3		V
Receiving amplifier input IR (Pin 10)						
Input Impedance	$ Z_i $			21		$\text{k}\Omega$

Receiving amplifier output QR (Pin 4)						
Output Impedance	$ Z_o $			4		Ω
Voltage Gain from IR to QR	G_v	$I_{line} = 15\text{mA}; R_L = 300\Omega;$ (from pin 9 to pin 4)	29.5	31	32.5	dB
Gain Variation with Frequency referenced to 800Hz	ΔG_{vf}	$f = 300$ and 3400 Hz		\oplus 0.2		dB
Gain Variation with Temperature referenced to 25°C	ΔG_{vT}	without R6; $I_{line} = 50\text{mA};$ $T_A = -25$ and $+75^\circ\text{C}$		\oplus 0.2		dB
Output Voltage (RMS value)	$V_{o(rms)}$	THD = 2%; sine wave drive: R4 = 100 K Ω ; $I_{line} = 15$ mA; $I_p = 0$ mA R _L = 150 Ω R _L = 450 Ω	0.22 0.3	0.33 0.48		V V
Output Voltage (RMS value)	$V_{o(rms)}$	$I_{line} = 15\text{mA}; R_L = 300\Omega;$ (from pin 9 to pin 4)		15		mV
Gain adjustment input GAR (Pin 5)		$I_{line} = 15\text{mA}; R_L = 300\Omega;$ (from pin 9 to pin 4)				
Receiving Amplifier Gain Variation by adjustment of R4 between GAR and QR	ΔG_v		-11		0	dB
Mute input (Pin 12)						
HIGH Level Input Voltage	V_{IH}	$I_{line} = 15$ mA	1.5		V_{CC}	V
LOW Level Input Voltage	V_{IL}	$I_{line} = 15$ mA	-		0.3	V
Input Current	I_{MUTE}			8	15	μA
Reduction of Gain						
MIC+ or MIC- to LN HT1062B HT1062A	ΔG_v	MUTE = HIGH MUTE = LOW		70 70		dB
Voltage Gain from DTMF to QR HT1062B HT1062A	G_v	R4 = 100k Ω ; R _L = 300 Ω MUTE = HIGH MUTE = LOW		-17 -17		dB
Automatic Gain Control Input AGC (Pin 15)						
Controlling the Gain from IR to QR and the Gain from MIC+, MIC- to LN Gain Control Range	ΔG_v	R6 = 110k Ω (between AGC and V_{EE}) $I_{line} = 70\text{mA}$		5.8		dB
Highest Line Current for Maximum Gain	I_{lineH}	$I_{line} = 15$ mA	20	23		mA
Lowest Line Current for Minimum Gain	I_{lineL}	$I_{line} = 70$ mA		61	65	mA



Typical current I_p available from V_{CC} for peripheral circuitry.

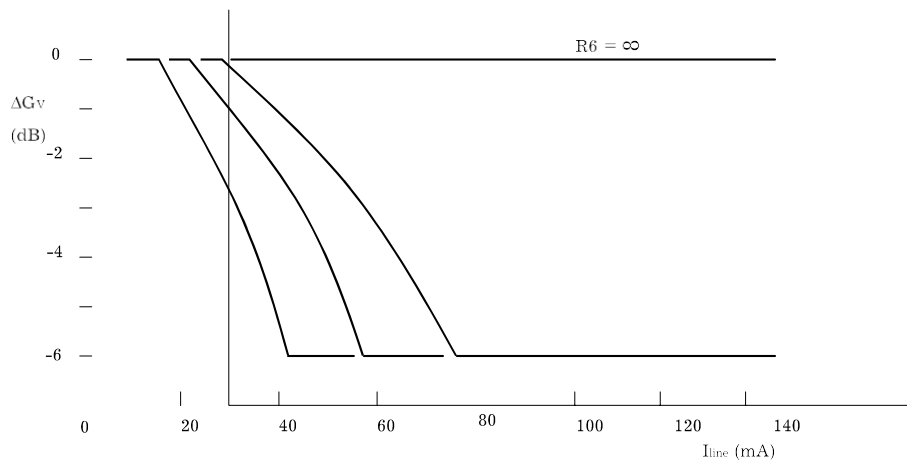
The supply possibilities can be increased by setting the voltage drop over the circuit V_{LN} to a higher value by resistor R_{VA} connected between REG and SLPE.

$V_{CC} > 2.2V$; $I_{line} = 15mA$ at $V_{LN} = 4V$; $R_1 = 620\Omega$; $R_9 = 20\Omega$

(1) $I_p = 2.1mA$. Curve (1) is valid when the receiving or when MUTE = HIGH(HT1062B), MUTE = LOW(HT1062A).

(2) $I_p = 1.7mA$. Curve (2) is valid when MUTE = LOW(HT1062B), MUTE = HIGH(HT1062A) and the receiving amplifier is driven; $V_{o(rms)} = 150mV$, $R_L = 150\Omega$.

Variation of gain as a function of the line current with R_6 as a parameter



$R_9 = 20\Omega$

TABLE 1

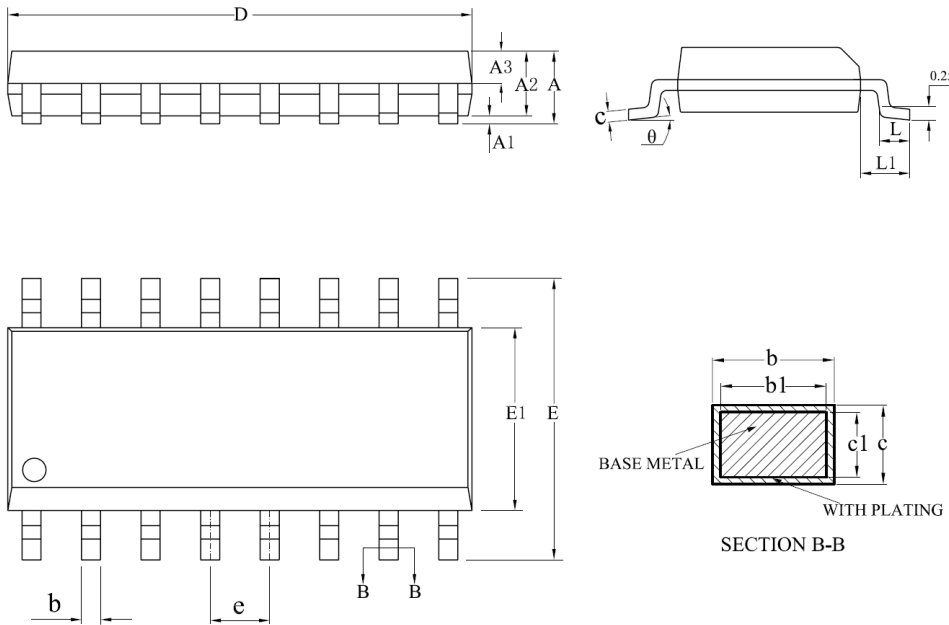
Values of resistor R6 for optimum line-loss compensation at various values of exchange supply voltage (V_{exch}) and exchange bridge resistance (R_{exch}); $R_9 = 20\Omega$.

V_{exch} (V)	400 R_{exch} (Ω)	600 R_{exch} (Ω)	800 R_{exch} (Ω)	1000 R_{exch} (Ω)
	R6 (k Ω)			
36	100	78.7	-	-
48	140	110	93.1	82
60	-	-	120	102

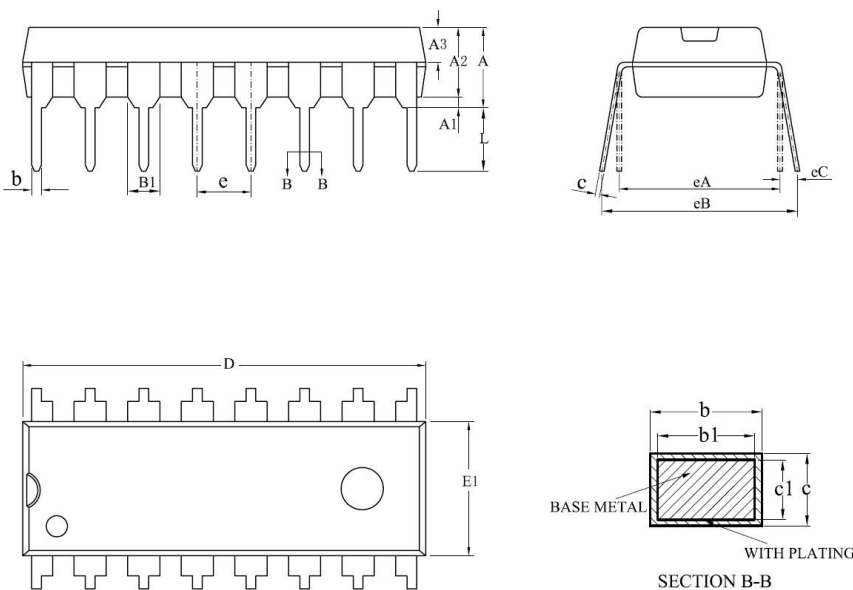
PIN

Pin	Symbol	Description
1	LN	Positive Line Terminal
2	GAS1	Gain Adjustment; Transmitting Amplifier
3	GAS2	Gain Adjustment; Transmitting Amplifier
4	QR	Non-inverting Output; Receiving Amplifier
5	GAR	Gain Adjustment; Receiving Amplifier
6	MIC-	Inverting Microphone Input
7	MIC+	Non-inverting Microphone Input
8	STAB	Current Stabilizer
9	V_{EE}	Negative Line Terminal
10	IR	Receiving Amplifier Input
11	DTMF	Dual-tone Multi-Frequency Input
12	MUTE	Mute Input (see note 1)
13	V_{CC}	Positive Supply Decoupling
14	REG	Voltage Regulator Decoupling
15	AGC	Automatic Gain Control Input
16	SLPE	Slope (DC resistance) Adjustment

Note 1. Pin 12 is active HIGH (MUTE) for HT1062B

SOP-16


SYMBOL	MILLIMETER		
	MIN	NOM	MAX
A	—	—	1.75
A1	0.10	—	0.25
A2	1.35	1.40	1.45
A3	0.60	0.65	0.70
b	0.39	—	0.48
b1	0.38	0.41	0.43
c	0.21	—	0.26
c1	0.19	0.20	0.21
D	9.70	9.90	10.10
E	5.80	6.00	6.20
E1	3.70	3.90	4.10
e	1.27BSC		
L	0.50	—	0.80
L1	1.05BSC		
θ	0	—	8°
L/F载体尺寸 (mm)	75*75		
	90*110		
	90*180		

DIP-16


SYMBOL	MILLIMETER		
	MIN	NOM	MAX
A	3.60	3.80	4.00
A1	0.51	—	—
A2	3.10	3.30	3.50
A3	1.42	1.52	1.62
b	0.44	—	0.53
b1	0.43	0.46	0.48
B1	1.52BSC		
c	0.25	—	0.31
c1	0.24	0.25	0.26
D	18.90	19.10	19.30
E1	6.15	6.35	6.55
e	2.54BSC		
eA	7.62BSC		
eB	7.62	—	9.50
eC	0	—	0.94
L	3.00	—	—
L/F载体尺寸 (mm)	80*80		
	110*140		
	140*170		