

Voltage Detectors , ME2801 Series

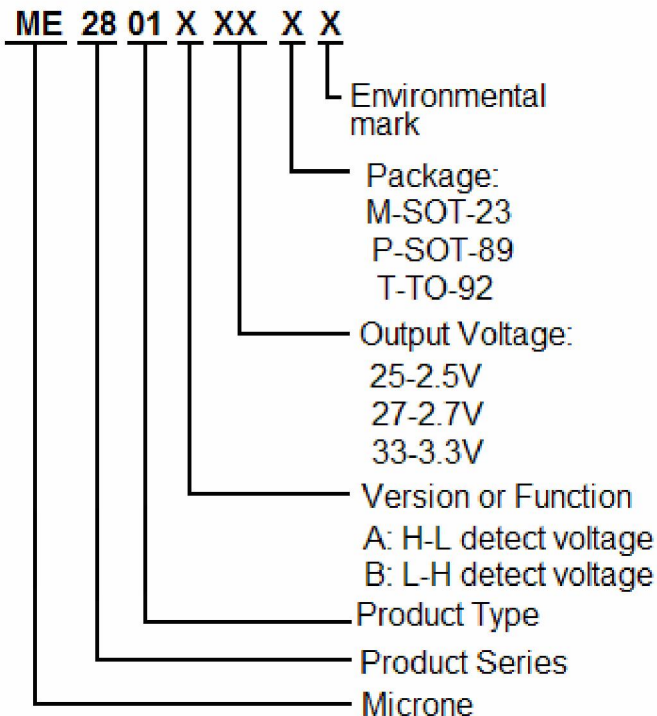
General Description

ME2801 Series are highly precise , low power consumption voltage detectors,manufactured using CMOS technologies. Detect voltage is extremely accurate with minimal temperature drift.CMOS output configurations are available.

Features

- | Highly accuracy : $\pm 1\%$
- | Low power consumption : TYP 0.7uA ($V_{in}=1.5V$)
- | Detect voltage range : 2.0V~4.8V in 0.1V increments
- | Operating voltage range : 0.7V~7V
- | Detect voltage temperature characteristics :
TYP ± 100 ppm/
- | Output configuration : CMOS
- | Package : SOT-23-3 , SOT-89-3 , TO-92

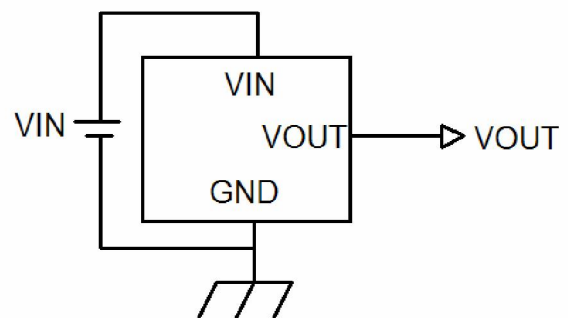
Selection Guide



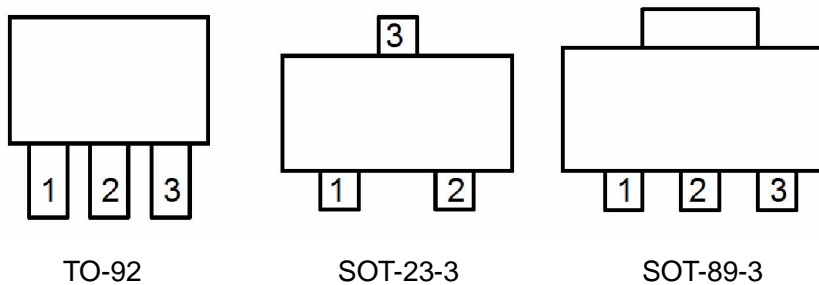
Typical Application

- | Microprocessor reset circuitry
- | Memory battery back-up circuits
- | Power-on reset circuits
- | Power failure detection

Typical Application Circuit



Pin Configuration

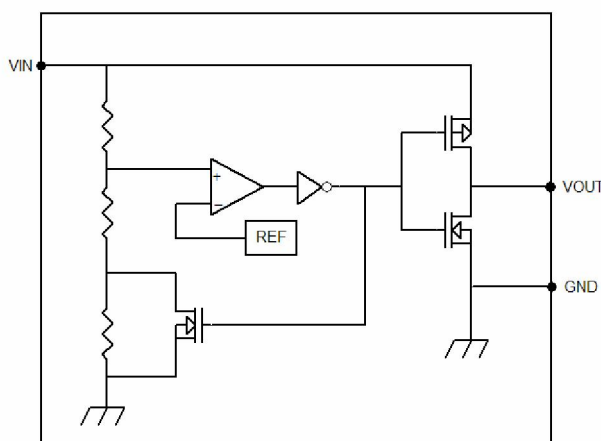


Pin Assignment

ME2801AXX/ME2801BXX

Pin Number				Pin Name	Functions
SOT-23-3	SOT-89-3	TO-92(T)	TO-92(T1)		
2	3	3	2	GND	Ground
1	1	1	3	VOUT	Output Voltage
3	2	2	1	VIN	Input Voltage

Block Diagram



Absolute Maximum Ratings

PARAMETER		SYMBOL	RATINGS	UNITS
V _{IN} Input Voltage		V _{IN}	8	V
Output Current		I _{out}	50	mA
Output Voltage	CMOS	V _{out}	V _{ss} -0.3~V _{in} +0.3	V
	N-ch open drain		V _{ss} -0.3~12	
Continuous Total Power Dissipation	SOT-23-3	P _d	150	mW
	SOT-89-3		500	
	TO-92		300	
Operating Ambient Temperature		T _{Opr}	-40~+85	
Storage Temperature		T _{stg}	-40~+125	
Soldering temperature and time		T _{solder}	260 , 10s	

Electrical Characteristics

($V_{DF(S)}=2.0V$ to $4.8V\pm 1\%$, $T_a=25^{\circ}C$, unless otherwise noted)

Parameter	Symbol	Conditions	Min.	Typ.	Max.	Units
VDF	Detect Voltage		$VDF(S)*0.99$	$VDF(S)$	$VDF(S)*1.01$	V
VHYS	Hysteresis Range		$VDF*0.02$	$VDF*0.05$	$VDF*0.08$	V
Iss	Supply Current	Vin=1.5V	-	0.7	2.7	uA
		Vin=2.0V	-	0.8	3.2	
		Vin=3.0V	-	0.9	3.6	
		Vin=4.0V	-	1.0	3.8	
		Vin=5.0V	-	1.1	4.3	
VIN	Operating Voltage	$VDF(T)=1.6V$ to $6.0V$	0.7	-	7	V
IOUT	Output Current	N-ch , $VDS=0.5V$ $VIN=1.0V$ $=2.0V$ $=3.0V$ $=4.0V$ $=5.0V$	1.0 3.0 5.0 6.0 7.0	2.2 7.7 10.1 11.5 13.0		mA
		P-ch , $VDS=2.1V$ $VIN=8.0V$		-10.0	-2.0	mA
$VDF/(topr*VDF)$	Temperature characteristics	-40 Topr 85		± 100		ppm/

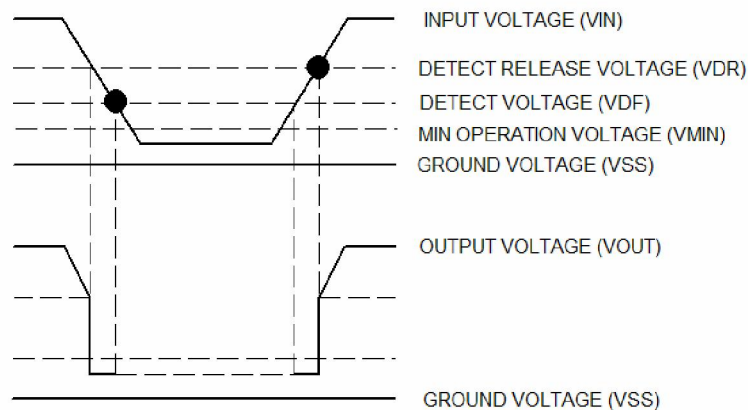
- Note :
- 1、 $VDF(S)$: Specified Detection Voltage value
 - 2、 VDF : Actual Detection Voltage value
 - 3、Release Voltage : $VDR=VDF+VHYS$ (ME2801A 系列)
 $VDR=VDF-VHYS$ (ME2801B 系列)

Functional Description :

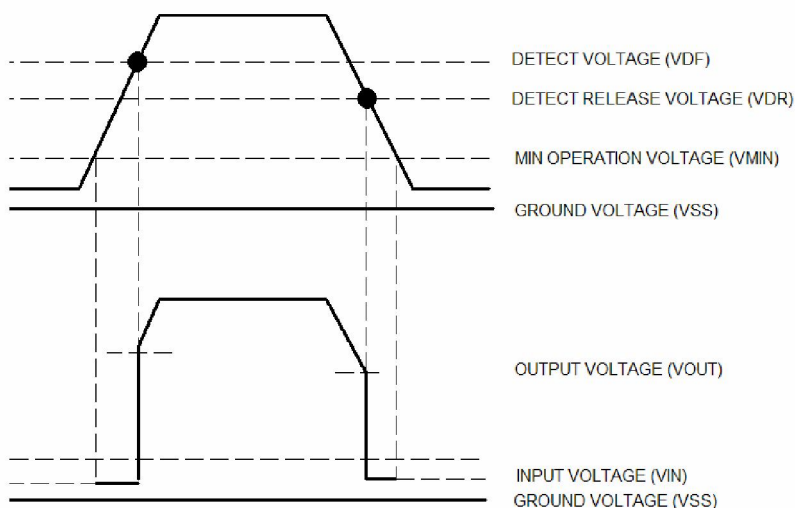
- 1、 When input voltage (V_{IN}) rises above detect voltage (V_{DF}), output voltage (V_{OUT}) will be equal to V_{IN} .
- 2、 When input voltage (V_{IN}) falls below detect voltage (V_{DF}), output voltage (V_{OUT}) will be equal to the ground voltage (V_{SS}) level.
- 3、 When input voltage (V_{IN}) falls to a level below that of the minimum operating voltage (V_{MIN}), output will become unstable. In this condition, V_{IN} will equal the pulled-up output (should output be pulled-up.)
- 4、 When input voltage (V_{IN}) rises above the ground voltage (V_{SS}) level, output will be unstable at levels below the minimum operating voltage (V_{MIN}). Between the V_{MIN} and detect release voltage (V_{DR}) levels, the ground voltage (V_{SS}) level will be maintained.
- 5、 When input voltage (V_{IN}) rises above detect release voltage (V_{DR}), output voltage (V_{OUT}) will be equal to V_{IN} .
- 6、 The difference between V_{DR} and V_{DF} represents the hysteresis range.

Timing Chart :

ME2801AXX:



ME2801BXX:



Directions for use :

- 1、 Please use this IC within the stated maximum ratings. Operation beyond these limits may cause degrading or permanent damage to the device.
- 2、 When a resistor is connected between the V_{IN} pin and the input with CMOS output configurations, oscillation may occur as a result of voltage drops at R_{IN} if load current(I_{OUT}) exists.(refer to the Oscillation Description(1) below)
- 3、 When a resistor is connected between the V_{IN} pin and the input with CMOS output configurations, oscillation may occur as a result of through current at the time of voltage release even if load current(I_{OUT}) does not exist. (refer to the Oscillation Description(2) below)
- 4、 With a resistor connected between the V_{IN} and the input, detect and release voltage will rise as a result of the IC's supply current flowing through the V_{IN} pin.
- 5、 In order to stabilize the IC's operations, please ensure that V_{IN} pin's input frequency's rise and fall times are more than several μ Sec/V.

Oscillation Description :

- 1、 Output current oscillation with the CMOS output configuration

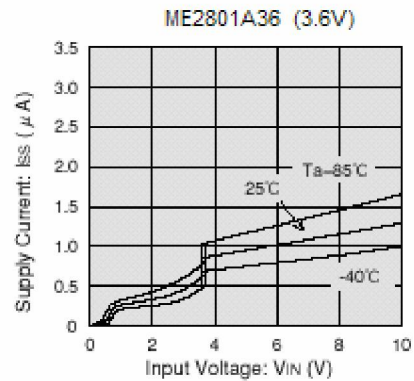
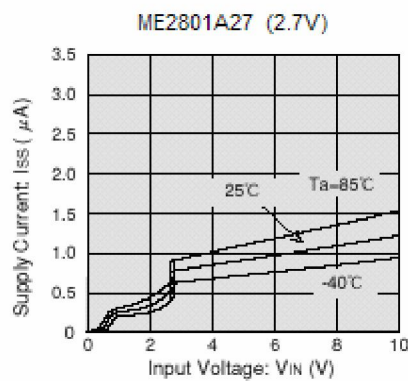
When the voltage applied at IN rises, release operations commence and the detector's output voltage increase. Load current(I_{OUT}) will flow at R_L . Because a voltage drop($R_{IN} * I_{OUT}$) is produced at the R_{IN} resistor, located between the input(IN) and the V_{IN} pin. The load current will flow via the IC's pin. The voltage drop will also lead to a fall in the voltage level at the V_{IN} pin. When the V_{IN} pin voltage level falls below the detect voltage level, detect operations will commence. Following detect operations, load current flow will cease and since voltage drop at R_{IN} will disappear, the voltage level at the V_{IN} pin will rise and release operations will begin over again. Oscillation may occur with this "release-detect-release" repetition. Further, this condition will also appear via means of a similar mechanism during detect operations.

- 2、 Oscillation as a result of through current

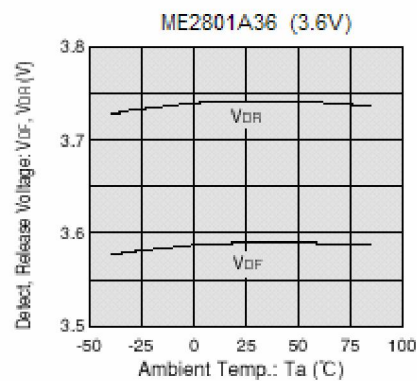
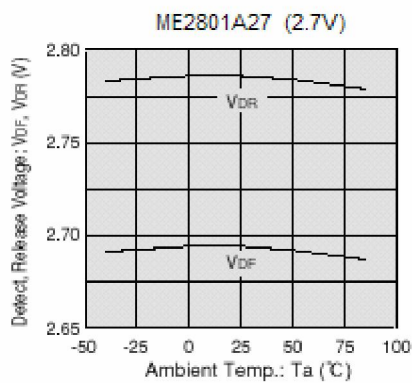
Since the ME2801 series are CMOS IC's, through current will flow when the IC's internal circuit switching operates(during release and detect operations). Consequently, oscillation is liable to occur as a result of drops in voltage at the through current's resistor(R_{IN}) during release voltage operations.(refer to diagram 2) since hysteresis exists during detect operations, oscillation is unlikely to occur.

Type Characteristics

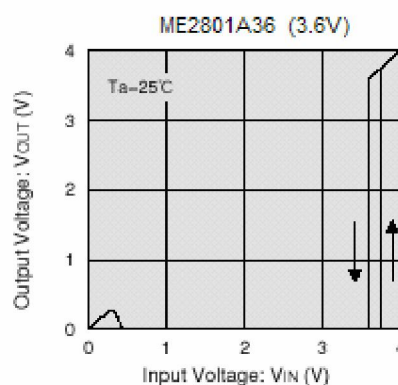
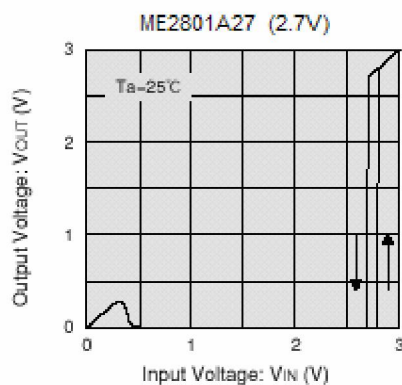
1、 SUPPLY CURRENT VS. INPUT VOLTAGE



2、 DETECT,RELEASE VOLTAGE VS. AMBIENT TEMPERATURE

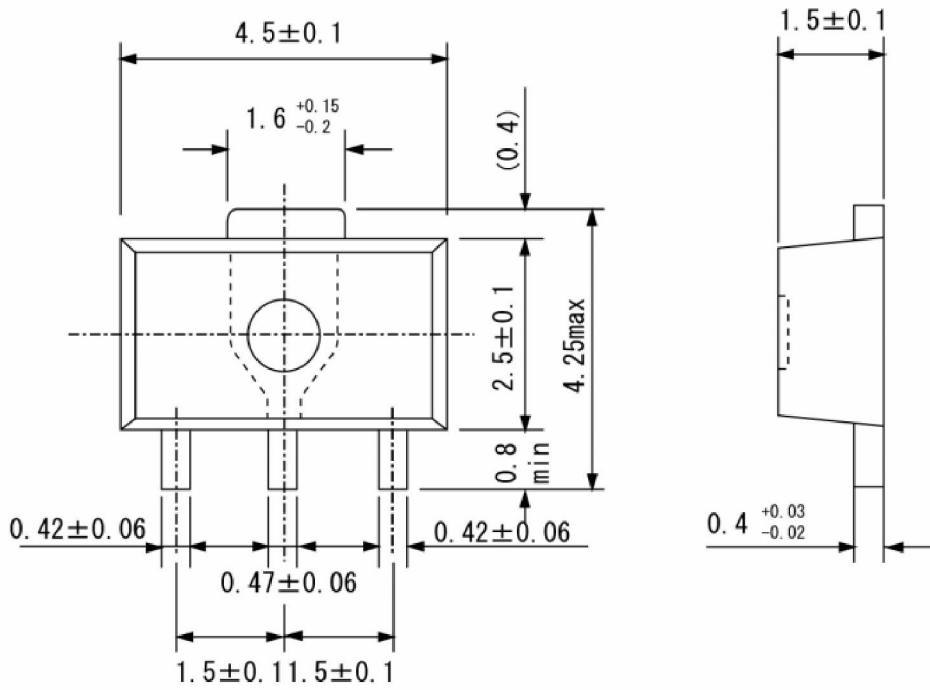


3、 OUTPUT VOLTAGE VS. INPUT VOLTAGE

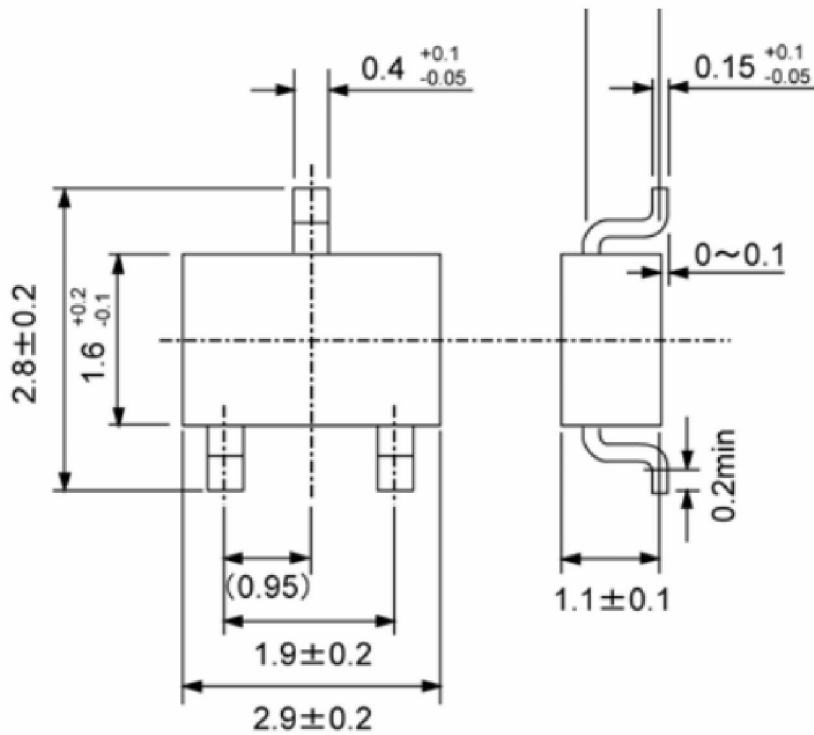


Package Information

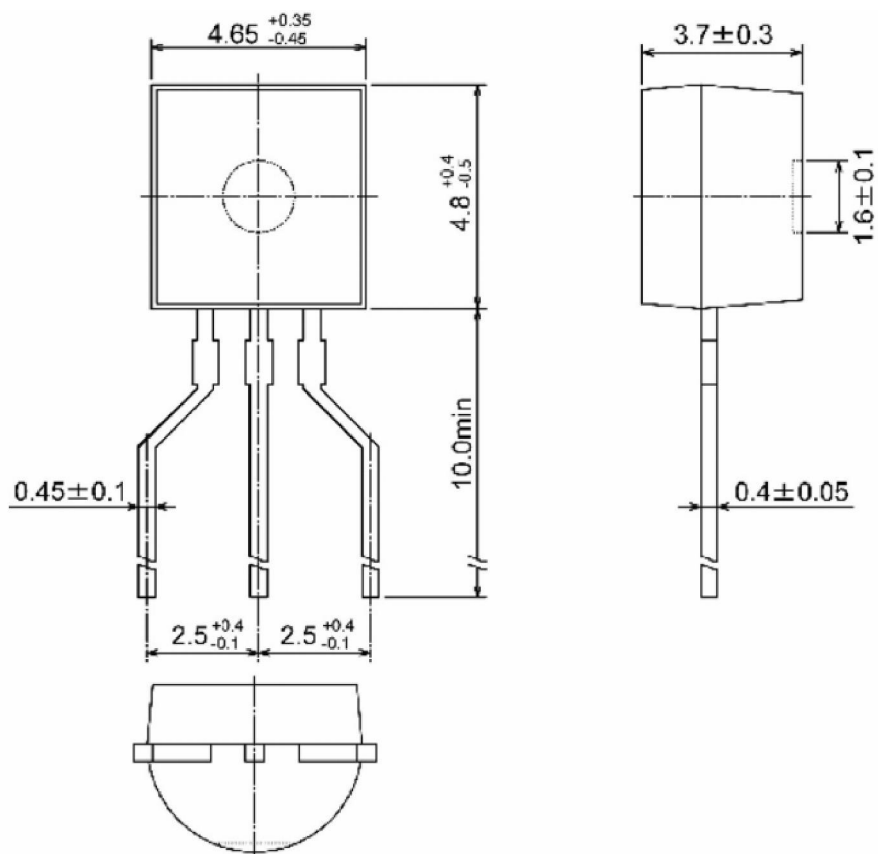
· SOT-89-3



· SOT-23-3



· TO-92



- | The information described herein is subject to change without notice.
- | Nanjing Micro One Electronics Inc is not responsible for any problems caused by circuits or diagrams described herein whose related industrial properties, patents, or other rights belong to third parties. The application circuit examples explain typical applications of the products, and do not guarantee the success of any specific mass-production design.
- | Use of the information described herein for other purposes and/or reproduction or copying without the express permission of Nanjing Micro One Electronics Inc is strictly prohibited.
- | The products described herein cannot be used as part of any device or equipment affecting the human body, such as exercise equipment, medical equipment, security systems, gas equipment, or any apparatus installed in airplanes and other vehicles, without prior written permission of Nanjing Micro One Electronics Inc.
- | Although Nanjing Micro One Electronics Inc exerts the greatest possible effort to ensure high quality and reliability, the failure or malfunction of semiconductor products may occur. The user of these products should therefore give thorough consideration to safety design, including redundancy, fire-prevention measures, and malfunction prevention, to prevent any accidents, fires, or community damage that may ensue.