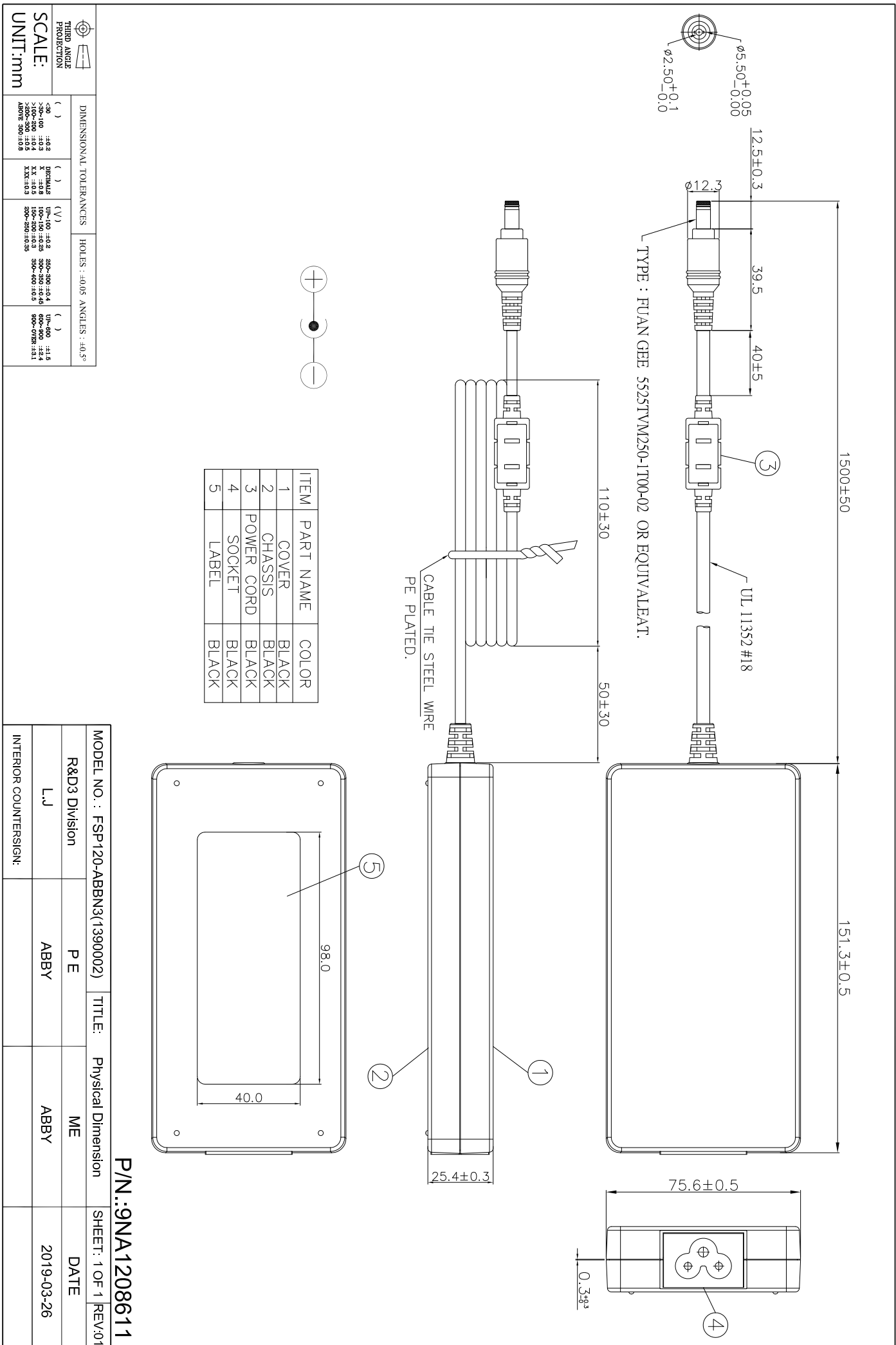
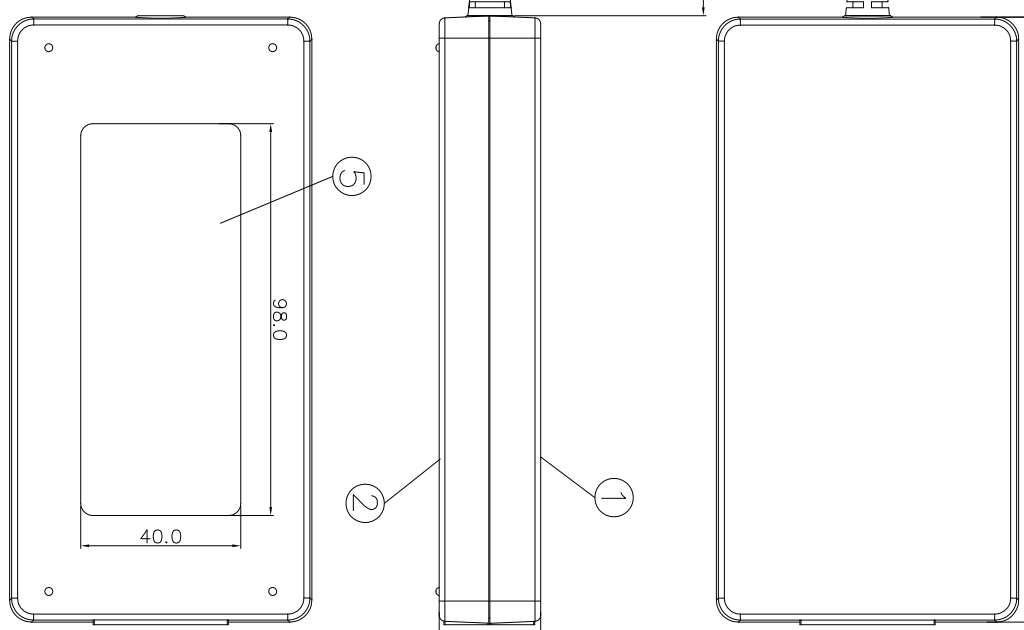


# 外觀圖





ITEM	PART NAME	COLOR
1	COVER	BLACK
2	CHASSIS	BLACK
3	POWER CORD	BLACK
4	SOCKET	BLACK
5	LABEL	BLACK



THIRD ANGLE PROJECTION

DIMENSIONAL TOLERANCES		HOLES		ANGLES	
( )	( )	( )	( )	( )	( )
<30	±0.2	Ø~100	±0.05	Ø~600	±1.5
>30~100	±0.3	100~150	±0.08	600~900	±2.4
>100~300	±0.5	X X	±0.1	900~1200	±3.1
>300~500	±0.6	K X	±0.3	Ø~Ø120	±3.1
ABOVE 500	±0.8				

SCALE:  
UNIT: mm

MODEL NO. : FSP120-ABBN3(1390002) TITLE: Physical Dimension SHEET: 1 OF 1 REV:01

P/N.:9NA1208611

R&D3 Division PE ABBY ME ABBY DATE 2019-03-26

INTERIOR COUNTERSIGN:

Mechanical Drawing (外觀/機構圖)