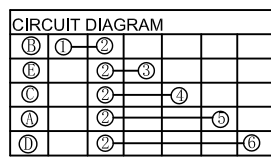
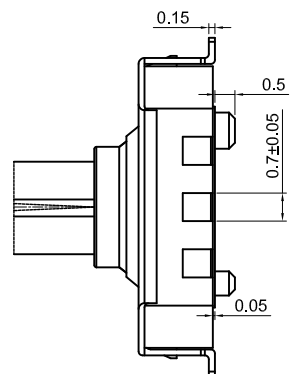
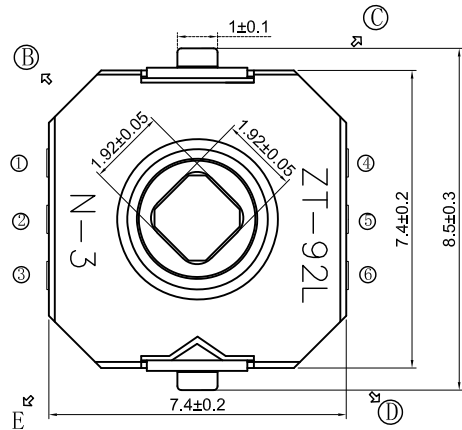


GT-TCA06F-H050-L1

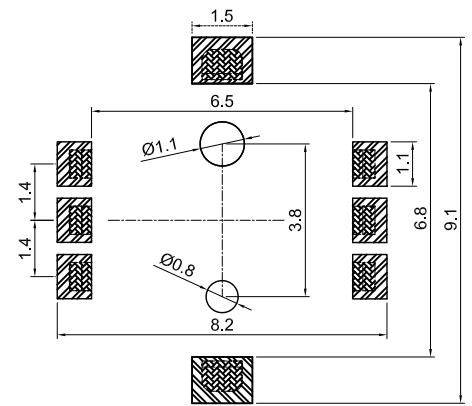
L1=100,000 Cycles

G-SWITCH

D=5-direction 160±80gf
 Center push 350±150gf
 F=5-direction 160±80gf
 Center push 400±150gf H=050(5.0)



电路图 (CIRCUIT DIAGRAM)



安装图 (PCB LAYOUT PLAN)

G-Switch Specification:

Operating temperature range: -40°C to +85°C
 Rating: 50mA.12V DC
 Insulation resistance: 100MΩ min.100V DC
 Dielectric strength: 250V AC for 1 min
 Contact resistance: 100mΩ max.



G-Switch Electronic (HongKong) CO.,Ltd.

Unless otherwise specified, Tolerance: X. ±0.30 X.x ±0.20 X.xx ±0.15 X.xxx ±0.10 Angles ±3°	DESIGN LI QIngqi	DATE 2022.06.22	Molde code:	
	CHECKED	DATE	GT-TCA06F-H050-L1	
	APPROVED	DATE	REV.: X1	SCALE: 4:1
	http://www.dg-switch.com		UNIT: mm	
	TEL:0769-82388879	SIZE: A4	SHEET: 1/1	