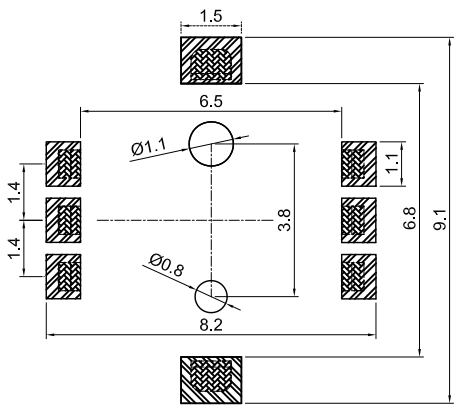


**GT-TCA06D-H060-L1**

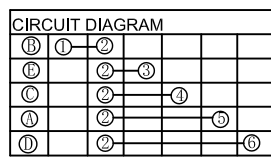
L1=100,000 Cycles

G-SWITCH

D=5-direction 160±80gf  
Center push 350±150gf  
F=5-direction 160±80gf  
Center push 400±150gf  
H=050(5.0)  
H=060(6.0)



安装图 (PCB LAYOUT PLAN)



电路图 (CIRCUIT DIAGRAM)

**G-Switch Specification:**  
 Operating temperature range: -40°C to +85°C  
 Rating: 50mA.12V DC  
 Insulation resistance: 100MΩ min.100V DC  
 Dielectric strength: 250V AC for 1 min  
 Contact resistance: 100mΩ max.



**b-Switch** 品赞科技®

Unless otherwise specified, Tolerance:  
 X. ±0.30  
 X.x ±0.20  
 X.xx ±0.15  
 X.xxx ±0.10  
 Angles ±3°

**G-Switch Electronic (HongKong) CO.,Ltd.**

DESIGN LI Qingqi	DATE 2022.06.22	Molde code:	
CHECKED	DATE	GT-TCA06D-H060-L1	
APPROVED	DATE	REV.: X1	SCALE: 4:1
<a href="http://www.dg-switch.com">http://www.dg-switch.com</a>		UNIT: mm	
TEL:0769-82388879		SIZE: A4	SHEET: 1/1