

LC898302AXA

Advance Information

CMOS LSI

Linear Vibrator Driver



ON Semiconductor®

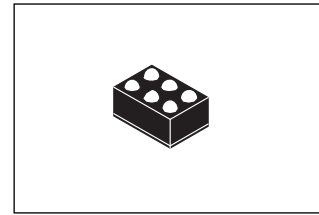
www.onsemi.com

Overview

LC898302AXA is a LRA (Linear Resonant Actuator) & ERM (Eccentric Rotating Mass) Driver IC dedicated to haptic feedback actuator and vibrator employed in mobile equipment. Due to the product superior technology, the drive frequency is automatically adjusted to the resonance frequency of the linear vibrator without the use of other external parts. As a result of this very effective drive, the vibration is as powerful as possible using very limited amount of energy compared to classical solutions

The drive and brake are fully configurable through the PWM-IF setting.

Finally, the original driving waveform allows you to reduce power consumption and it is useful to maintain battery lifetime.



WLCSP6, 0.78x1.18

Features

- 1) Automatic adjustment to the resonance frequency for LRA
- 2) Automatic braking (EN mode only)
- 3) Adjustable Drive voltage through PWM-IF setting
- 4) Adjustable Brake voltage through PWM-IF setting
- 5) EN/PWM-IF driving mode available by automatic detection
- 6) low standby current
- 7) Low power consumption thanks to the highly effective drive
- 8) Low driving noise (EMI, Audible band)
- 9) Thermal shutdown protection
- 10) Available to drive a LRA or ERM.
- 11) VBAT compliant

Applications

- 1) Mobile Phone
- 2) Portable Game
- 3) Mobile equipment with haptics function

This document contains information on a new product. Specifications and information herein are subject to change without notice.

ORDERING INFORMATION

See detailed ordering and shipping information on page 9 of this data sheet.

LC898302AXA

1 Block Diagram

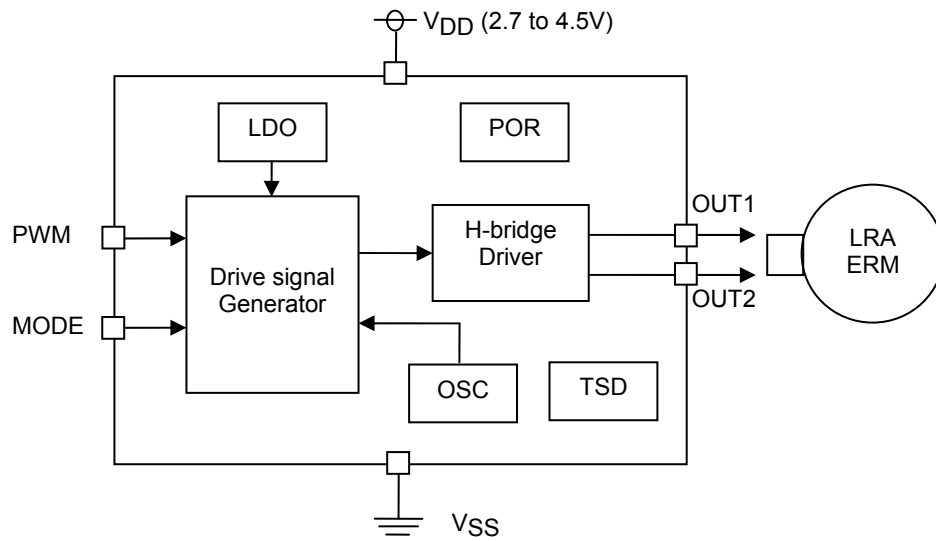


Fig. 1

2 Absolute Maximum Ratings / $V_{SS} = 0V$

Parameter	Symbol	condition	Rating	Unit
Supply voltage range	V_{DD} max		-0.3 to 6.0	V
Input voltage	V_{I1}	*1	-0.3 to $V_{DD}+0.3$	V
H-bridge Drive current	I_O max		200	mA
Allowable power dissipation	P_d max	$T_a=85^{\circ}C$, *2	TBD	mW
Operating temperature range	T_a		-30 to 85	$^{\circ}C$
Storage temperature range	T_{stg}		-55 to 125	$^{\circ}C$

*1 PWM,MODE pin

*2 glass epoxy (50mm x 40mm, t=0.9mm, FR-4)

Stresses exceeding those listed in the Maximum Ratings table may damage the device. If any of these limits are exceeded, device functionality should not be assumed, damage may occur and reliability may be affected.

LC898302AXA

3 Recommended Operating Conditions/ Ta = -30 to 85 °C, VSS = 0V

Parameter	Symbol	condition	Min	Typ	Max	Unit
Supply voltage range	VDD		2.7	-	4.5	V
Input voltage range	VIN1	*1	0	-	VDD	V

*1 MODE ,PWM pin

Functional operation above the stresses listed in the Recommended Operating Ranges is not implied. Extended exposure to stresses beyond the Recommended Operating Ranges limits may affect device reliability.

4 Electric characteristics

4.1 DC characteristics

[VSS = 0V, VDD = 2.7 to 4.5V, Ta = -30 to 85 °C]

Parameter	Symbol	Condition	Min	Typ	Max	Unit	Applied pin
High level Input voltage	V _{IH}	CMOS	1.40	-	-	V	PWM
Low level Input voltage	V _{IL}		-	-	0.36	V	
High level Input voltage	V _{IH}	CMOS	0.7V _{DD}	-	-	V	MODE
Low level Input voltage	V _{IL}		-	-	0.3V _{DD}	V	
Input leakage current	I _{IL}	V _I =V _{DD} ,V _{SS}	-10	-	+10	μA	PWM, MODE

4.2 AC input characteristics

[VSS = 0V, VDD = 2.7 to 4.5V, Ta = -30 to 85 °C]

Parameter	Symbol	Min	Typ	Max	Unit	Condition
Input PWM frequency	f _{frq}	10.0	-	50.0	kHz	1%<PWM Duty<99% *1

*1) PWM carrier frequency must be set to 128 times of resonant frequency in case of LRA mode.

4.3 Standby current

[VSS = 0V, VDD = 3.7V, Ta = 25 °C]

Parameter	Symbol	Min	Typ	Max	Unit	Condition
Stand-by current	Pstb	-	1.0	3.0	μA	PWM="0"
Idle current	Pidle	-	2.5	-	mA	PWM=Duty 50%

4.4 Analog characteristics

[VSS = 0V, VDD = 3.7V, Ta = 25 °C]

Parameter	Symbol	Min	Typ	Max	Unit	Condition
Output Voltage Difference OUT1 and OUT2	V _{OUT12}	-	2.8	-	V _{pp}	MODE="0" Input PWM Duty=99%
		-	2.9	-	V _{pp}	MODE="1" Input PWM Duty=99%
H-Bridge ON resistance Pch	R _{onp}	-	2.5	-	Ω	I _F =100mA
H-Bridge ON resistance Nch	R _{onn}	-	1.0	-	Ω	I _S =100mA
Adjustable resonance frequency range	F _{mo}	-10	-	+10	%	vs Input value

Product parametric performance is indicated in the Electrical Characteristics for the listed test conditions, unless otherwise noted. Product performance may not be indicated by the Electrical Characteristics if operated under different conditions.

LC898302AXA

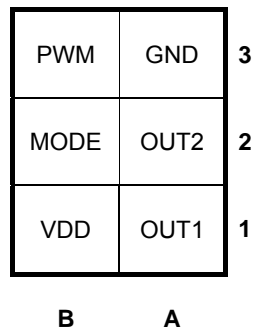
5 Pin Assignment

5.1 Pin list

I/O -> I : input, O: output, B: bi-direction, P: power supply, NC: not connected

NO	NAME	I/O	NO	NAME	I/O
1A	OUT1	O	1B	VDD	P
2A	OUT2	O	2B	MODE	I
3A	GND	P	3B	PWM	I

5.2 Pin layout (PKG: WLCSP6, 0.4mm pitch)



< Bottom View >

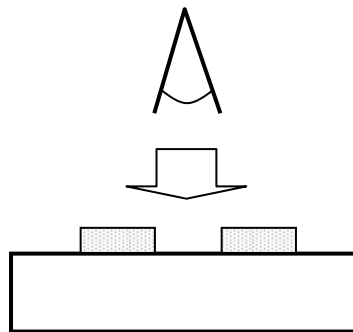


Fig. 2

LC898302AXA

6 Pin description

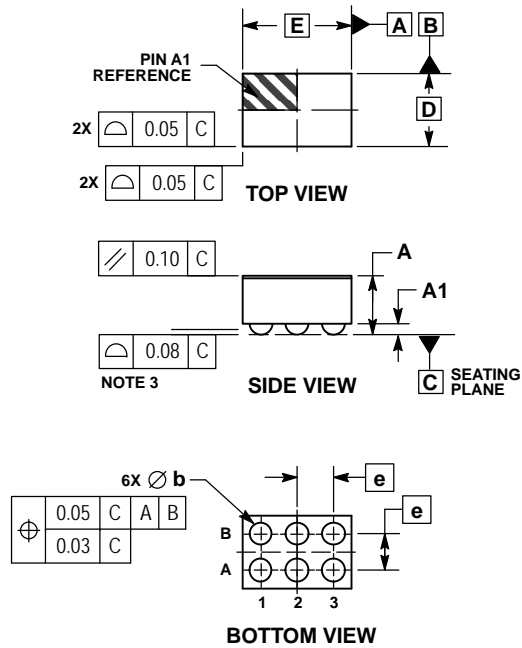
I/O -> I: input, O: output, B: bi-direction, P: power supply, NC: not connected

Signal name	I/O	Function	Remarks
OUT1	O	Motor drive pin	H-bridge output
OUT2	O	Motor drive pin	H-bridge output
MODE	I	Motor select pin	L : LRA, H : ERM
PWM	I	Driving control pin	EN control or PWM control input
VDD	P	Power supply pin	
VSS	P	GND pin	

LC898302AXA

7 Package Dimensions unit : mm

WLCSP6, 0.78x1.18
CASE 567KP
ISSUE O

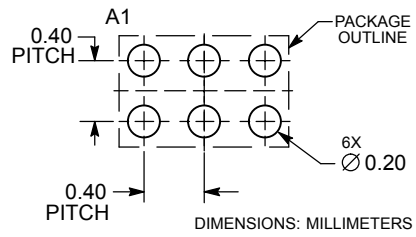


NOTES:

1. DIMENSIONING AND TOLERANCING PER ASME Y14.5M, 1994.
2. CONTROLLING DIMENSION: MILLIMETERS.
3. COPLANARITY APPLIES TO SPHERICAL CROWNS OF SOLDER BALLS.

DIM	MILLIMETERS	
	MIN	MAX
A	---	0.65
A1	0.07	0.17
b	0.15	0.25
D	0.78 BSC	
E	1.18 BSC	
e	0.40 BSC	

RECOMMENDED SOLDERING FOOTPRINT*



*For additional information on our Pb-Free strategy and soldering details, please download the ON Semiconductor Soldering and Mounting Techniques Reference Manual, SOLDERRM/D.

Fig. 3

LC898302AXA

8 AC Characteristic

8.3 AC Characteristic (V_{DD})

[$V_{SS} = 0V$, $V_{DD} = 2.7$ to $4.5V$, $T_a = -30$ to $+85$ °C]

Parameter	Symbol	Min	Typ	Max	Unit	comment
V_{DD} Rising Time	T_{VDDUP}	-	-	100	ms	-

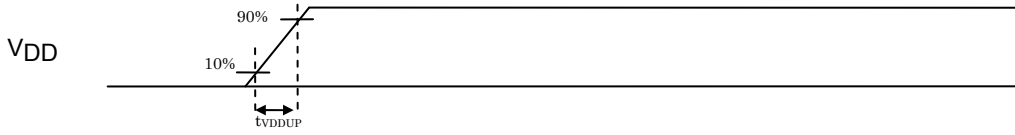


Fig. 4

8.4 AC Characteristics (Start Up Time)

[$V_{SS} = 0V$, $V_{DD} = 2.7$ to $4.5V$, $T_a = -30$ to $+85$ °C]

Parameter	Symbol	Min	Typ	Max	Unit	comment
Start Up Time	t_{stup}	-	0.55	-	ms	-

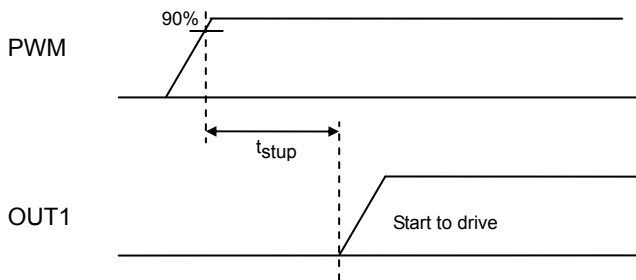
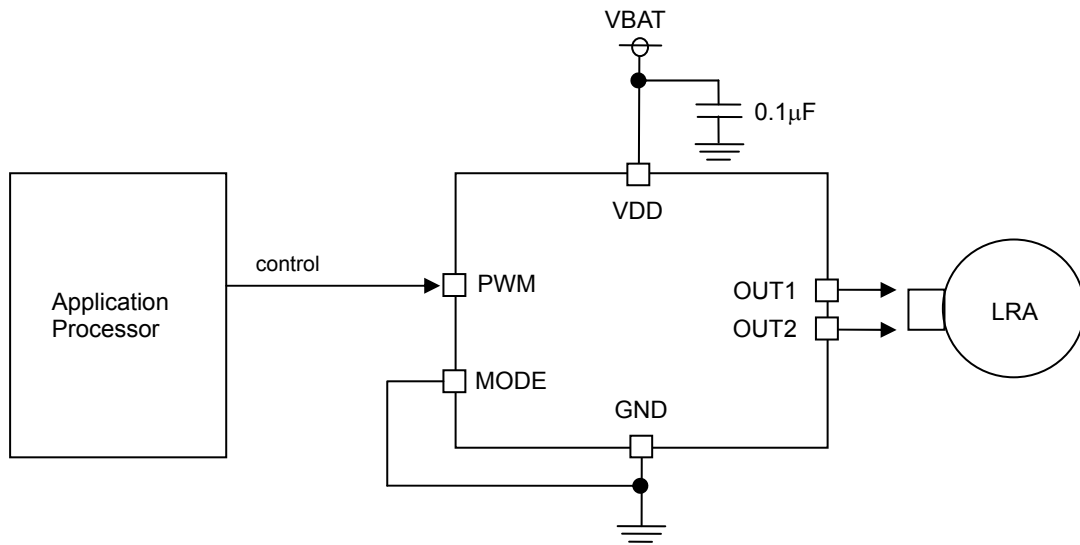


Fig. 5

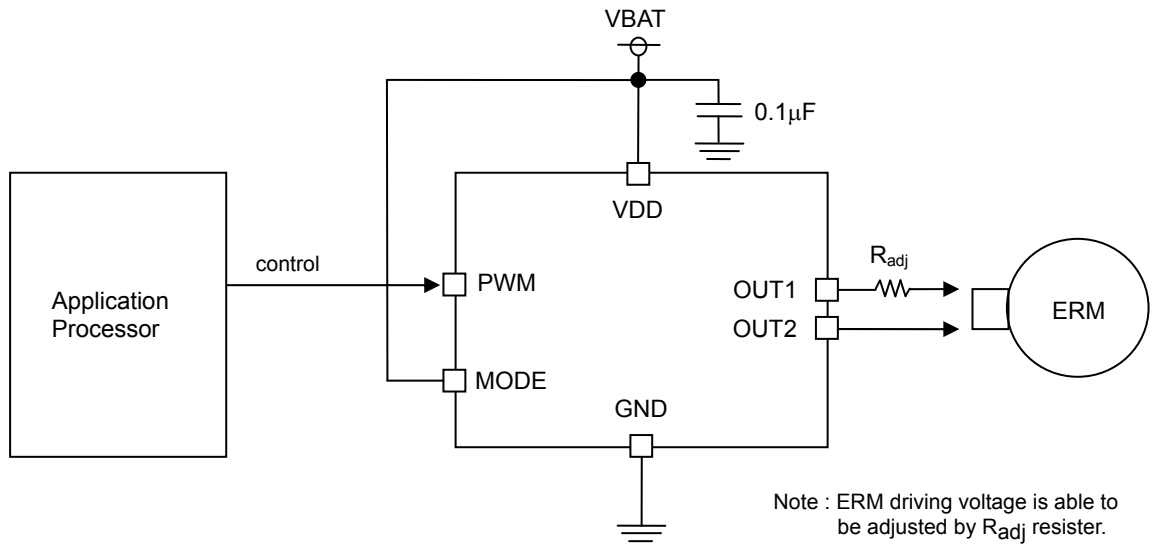
LC898302AXA

9 Application Information

9.1 LRA mode



9.2 ERM mode



LC898302AXA

ORDERING INFORMATION

Device	Package	Shipping (Qty / Packing)
LC898302AXA-MH	WLCSP6, 0.78x1.18 (Pb-Free / Halogen Free)	5000 / Tape & Reel

† For information on tape and reel specifications, including part orientation and tape sizes, please refer to our Tape and Reel Packaging Specifications Brochure, BRD8011/D. http://www.onsemi.com/pub_link/Collateral/BRD8011-D.PDF

ON Semiconductor and the ON logo are registered trademarks of Semiconductor Components Industries, LLC (SCILLC) or its subsidiaries in the United States and/or other countries. SCILLC owns the rights to a number of patents, trademarks, copyrights, trade secrets, and other intellectual property. A listing of SCILLC's product/patent coverage may be accessed at www.onsemi.com/site/pdf/Patent-Marking.pdf. SCILLC reserves the right to make changes without further notice to any products herein. SCILLC makes no warranty, representation or guarantee regarding the suitability of its products for any particular purpose, nor does SCILLC assume any liability arising out of the application or use of any product or circuit, and specifically disclaims any and all liability, including without limitation special, consequential or incidental damages. "Typical" parameters which may be provided in SCILLC data sheets and/or specifications can and do vary in different applications and actual performance may vary over time. All operating parameters, including "Typicals" must be validated for each customer application by customer's technical experts. SCILLC does not convey any license under its patent rights nor the rights of others. SCILLC products are not designed, intended, or authorized for use as components in systems intended for surgical implant into the body, or other applications intended to support or sustain life, or for any other application in which the failure of the SCILLC product could create a situation where personal injury or death may occur. Should Buyer purchase or use SCILLC products for any such unintended or unauthorized application, Buyer shall indemnify and hold SCILLC and its officers, employees, subsidiaries, affiliates, and distributors harmless against all claims, costs, damages, and expenses, and reasonable attorney fees arising out of, directly or indirectly, any claim of personal injury or death associated with such unintended or unauthorized use, even if such claim alleges that SCILLC was negligent regarding the design or manufacture of the part. SCILLC is an Equal Opportunity/Affirmative Action Employer. This literature is subject to all applicable copyright laws and is not for resale in any manner.